

Banana Plug - Uninsulated Rivet Type

SPECIFICATIONS

Plug Body: Brass per QQ-B-626D

Plug Spring: Beryllium copper per QQ-C-533

Finish: Silver

Panel Thickness: Up to .156 (4.00)

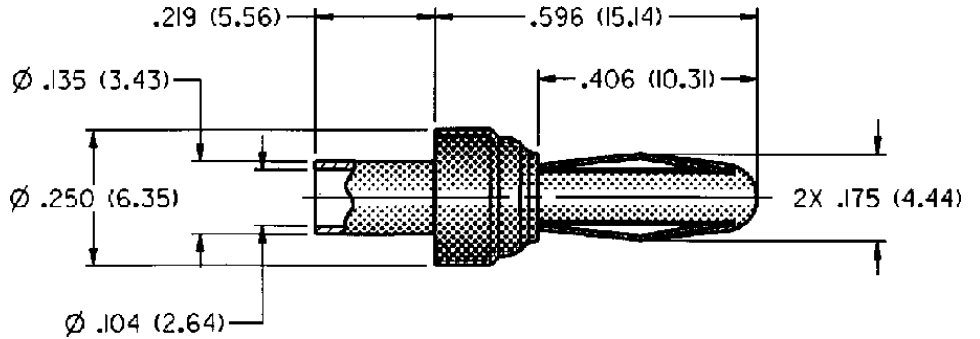
RATINGS

Current: 15 amps

Contact Resistance: 0.010 ohms maximum



SILVER PLATING
108-0754-001



For Standard Banana Jack: .166 (4.23) Diameter

FEATURES:

- Shorter spring adapts to standard jack or special size jack
- Ideal for limited space applications