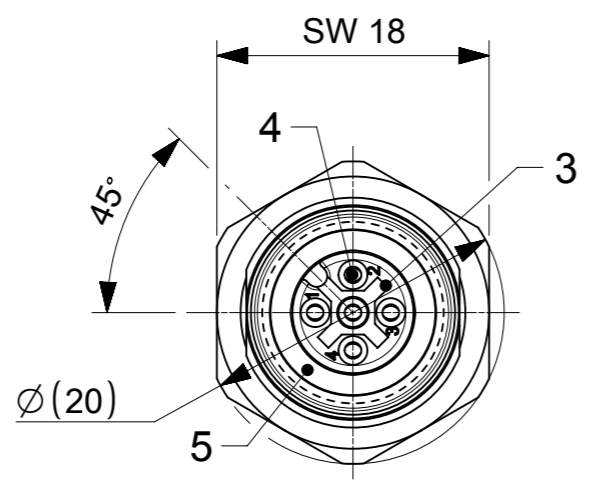
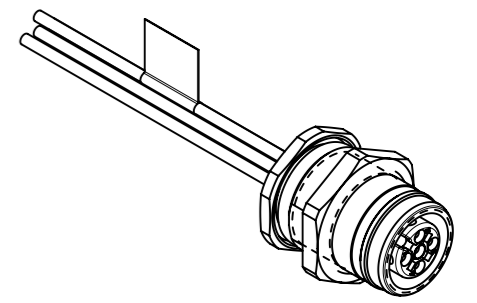
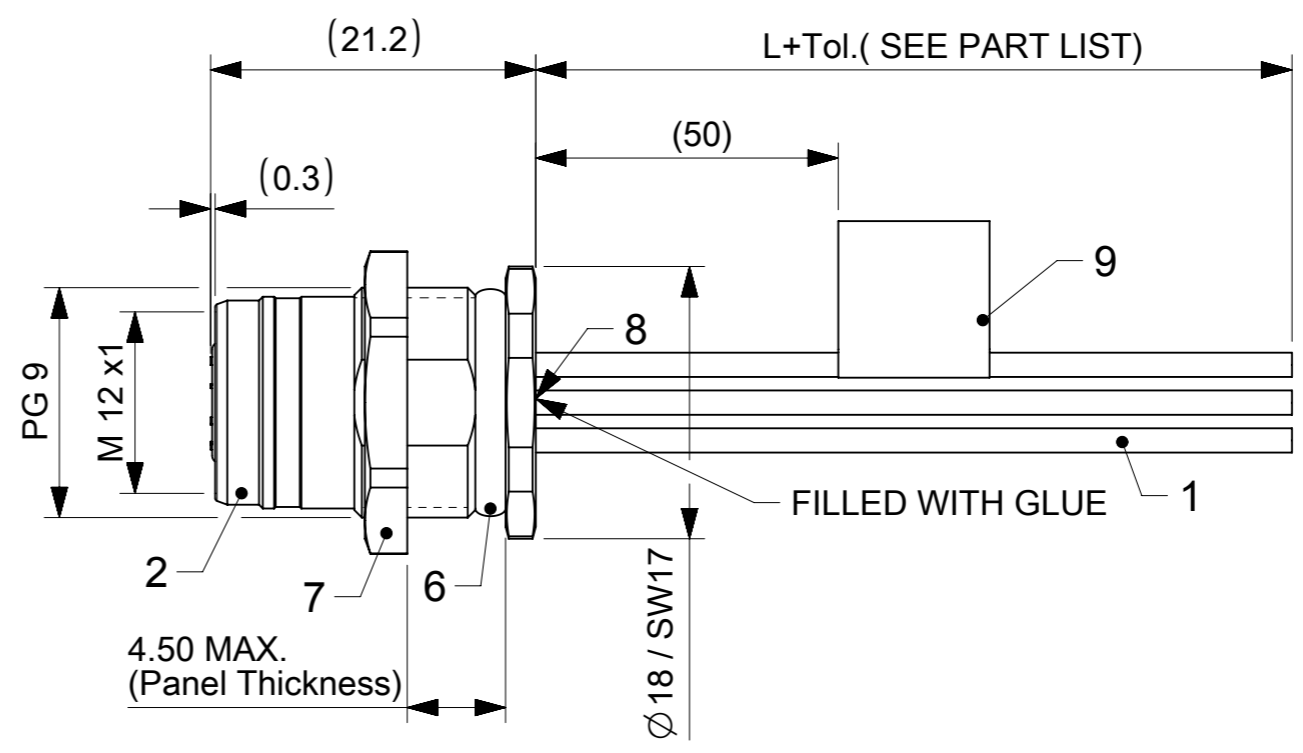


VIEW FROM THE FRONT SIDE

| PIN | WIRE COLOR |
|-----|------------|
| 1 | BN |
| 2 | WH |
| 3 | BU |
| 4 | BK |
| 5 | GY |



VIEW FROM THE FRONT SIDE



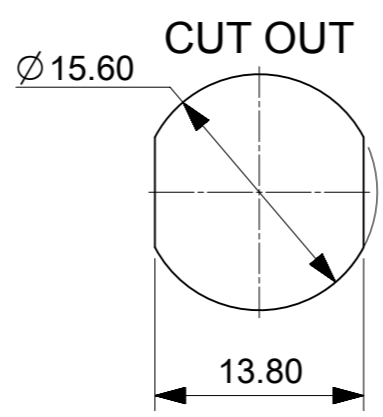
SCALE 1:1

WIRING DIAGRAM



PART LIST

| MOLEX PN | ENGINEERING NO. | L+Tol. [mm] |
|------------|-----------------|-------------|
| 1200840012 | WR5J40E03C300 | 300 ±10 |
| 1200840026 | WR5J40E03M010 | 1000 ±10 |
| 1200840027 | WR5J40E03M020 | 2000 ±10 |



CONNECTOR SPECIFICATION :

ELECTRICAL DATA :
 VOLTAGE RATING : 60V
 AMPERAGE RATING : 4A
 IP PROTECTION : IP67

NOTES :
 FOR MISSING DIMENSIONS REFER "IEC 61076-2-101"
 IEC STYLE :
 COLOR CODE OF LEADS AS PER "EN 50 044"

BOM

| ITEM | QTY | DESCRIPTION | MATERIAL | FINISH / COLOR |
|------|-----|----------------------------|-----------------|---|
| 9 | 1 | LABEL | - | YELLOW |
| 8 | - | POTTING MATERIAL WEVO | WEVO RESIN | - |
| 7 | 1 | HEX NUT PG9 | PHOSPHOR BRONZE | BRIGHT NI-PLATED |
| 6 | 1 | O-RING | NBR | BLACK |
| 5 | 1 | GASKET | FPM | RED |
| 4 | 5 | CONTACT 10 FE STA AU | BRONZE | SELECTIVE GOLD OVER NI-PLATED |
| 3 | 1 | INSERT U12 FE 5P AC REC | PUR | BLACK |
| 2 | 1 | M12 REC SHELL FE PG9 ULOCK | BRASS | NI-PLATED |
| 1 | - | WIRES 22AWG UL1569 | PVC | GREY WHITE BLACK BROWN BLUE |

| | | | |
|-------------------|--|---|-----|
| SYMBOLS | | THIS DRAWING CONTAINS INFORMATION THAT IS PROPRIETARY TO MOLEX ELECTRONIC TECHNOLOGIES, LLC AND SHOULD NOT BE USED WITHOUT WRITTEN PERMISSION | |
| ▽ = 0 | mm | SCALE | 2:1 |
| ▽ = 0 | GENERAL TOLERANCES (UNLESS SPECIFIED) | | |
| ▽ = 0 | ANGULAR TOL ± 1.0° | | |
| ▽ = 0 | 4 PLACES | ± | |
| ▽ = 0 | 3 PLACES | ± | |
| ▽ = 0 | 2 PLACES | ± 0.05 | |
| ▽ = 0 | 1 PLACE | ± 0.1 | |
| ▽ = 0 | 0 PLACES | ± 1.0 | |
| ■ = 0 | DRAFT WHERE APPLICABLE MUST REMAIN WITHIN DIMENSIONS | | |
| ▽ = 0 | THIRD ANGLE PROJECTION | | |
| CURRENT REV DESC: | | EC NO: 623525 | |
| | | DRWN: MDHARMANTI 2019/09/03 | |
| | | CHK'D: RSILLER 2019/09/05 | |
| | | APPR: RSILLER 2019/09/05 | |
| INITIAL REVISION: | | DRWN: MDHARMANTI 2019/09/03 | |
| | | APPR: RSILLER 2019/09/05 | |
| DOCUMENT NUMBER | | 1200840012 | |
| DOC TYPE | | PSD | |
| DOC PART | | 000 | |
| REVISION | | A | |
| MATERIAL NUMBER | | SEE PART LIST | |
| CUSTOMER | | GENERAL MARKET | |
| SHEET NUMBER | | 1 OF 1 | |