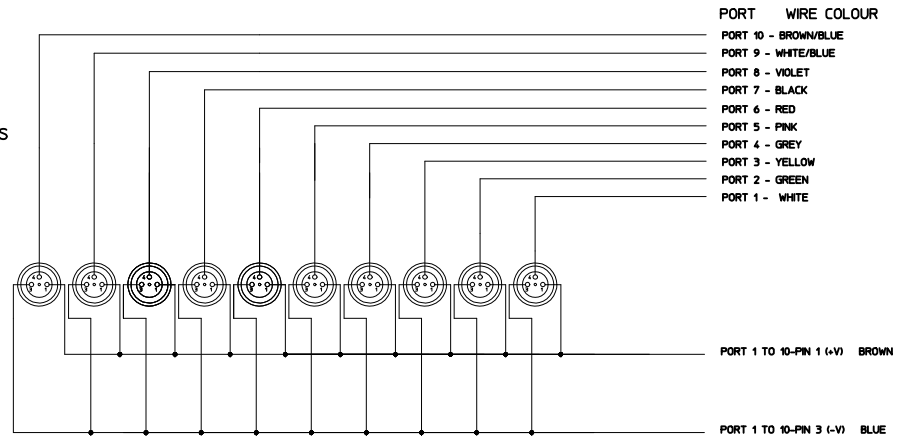
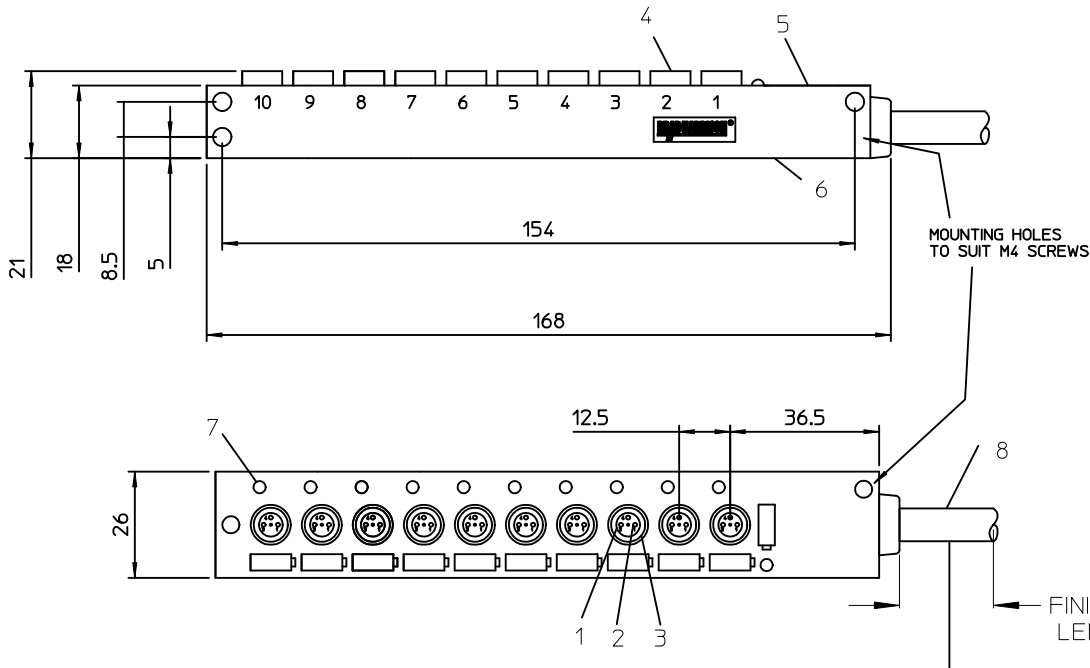


SAP-NUMBER	OLD PART NUMBER	FINISHED LENGTH
1201130003	BEYA010-FBP-05	5000



CABLE END:  
 OUTER SHEATH STRIPPED 100 mm  
 CONDUCTOR STRIP 5 mm

CLOSURE CAP

SAP no. 1203080677  
Quantity 2

VOLTAGE RATING	10 - 30 VDC
AMPERAGE RATING PER PORT	2 A MAX./PORT 6 A MAX. TOTAL
PROTECTION	IP 67
OPERATING TEMPERATURE	-25°C / +90 °C

ITEM	COMPONENT	MATERIAL	FINISH
1	INSERT	PUR	BLACK
2	CONTAC SOCKET	BRASS	GOLD OVER NICKEL
3	O-RING	VITON	---
4	RECEPTACLE SHELL	BRASS	NICKEL PLATED
5	HOUSING	PBT	YELLOW
6	LABEL	ABS	WHITE
7	LENS	PA	CLEAR
8	CABLE	PUR	---

**NEW RELEASE**  
 EC NO: WEU2010-0248  
 DRWN:SBH 2010/01/08  
 CHKD:APOHL\_WEU 2010/01/08  
 APPR:NSTAUDIGEL 2010/01/29

QUALITY SYMBOLS

	GENERAL TOLERANCES (UNLESS SPECIFIED)	
	mm	INCH
4 PLACES	± ---	± ---
3 PLACES	± ---	± ---
2 PLACES	± ---	± ---
1 PLACE	± 0.3	± ---
ANGULAR ± ---°		

DRAFT WHERE APPLICABLE  
MUST REMAIN WITHIN DIMENSIONS

DIMENSION STYLE  
**MM ONLY**

DRAWN BY: SBH  
DATE: 2010/01/08

CHECKED BY: APOHL\_WEU  
DATE: 2010/01/08

APPROVED BY: NSTAUDIGEL  
DATE: 2010/01/29

MATERIAL NO. SEE TABLE

SCALE: METRIC  
DESIGN UNITS: METRIC  
THIRD ANGLE PROJECTION

TITLE: **M8-MPIS 10 PORT CABLE  
3 POL STRAIGHT OUTLINE**

**MOLEX INCORPORATED**

DOCUMENT NO. SD-120113-019  
SHEET NO. 1 OF 1

THIS DRAWING CONTAINS INFORMATION THAT IS PROPRIETARY TO MOLEX INCORPORATED AND SHOULD NOT BE USED WITHOUT WRITTEN PERMISSION