

PLEASE CHECK WWW.MOLEX.COM FOR LATEST PART INFORMATION

Part Number: [1301230059](#)
Status: **Active**
Overview: Aero-Motive Wire-Rope Festoon Systems
Description: I-Beam Festoon End Clamp 638

Documents:

[RoHS Certificate of Compliance \(PDF\)](#)

General

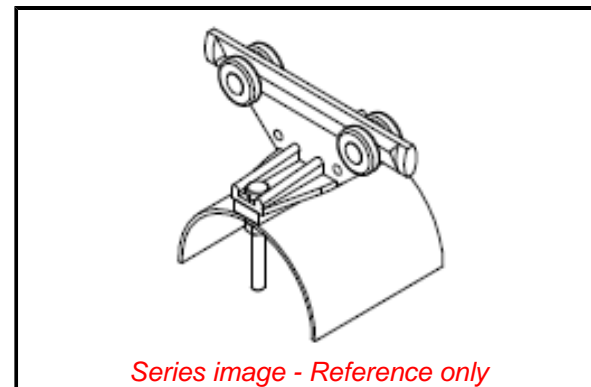
Product Family	Festoons
Series	130123
Cable Height - Maximum	25.40mm (1.000")
Cable Width - Maximum	151.38mm (5.960")
Combined Cable Weight-Max./Car	79.38kg (175.0 lb)
Component Type	End Clamp
Depth	209.55mm (8.250")
Duty	Heavy
Exclude SD Check	Yes
Height	336.55mm (13.250")
Length	325.88mm (12.830")
Overview	<u>Aero-Motive Wire-Rope Festoon Systems</u>
Product Name	Aero-Motive
Type	I-Beam
UPC	78678863077

Physical

Material - Coating	Powder Coating
Material - Metal	Steel
Packaging Type	Individual Carton
Saddle Radius	112.78mm (4.440")
Thread Size	N/A
Travel Speed - Maximum	121.92 mpm (400 fpm)
Wire/Cable Type	Flat

Material Info

Engineering Number	0638020
--------------------	---------



Series image - Reference only

EU ELV

Not Reviewed

EU RoHS

Not Reviewed

REACH SVHC

Not Reviewed

Halogen-Free

Status

Not Reviewed

For more information, please visit [Contact US](#)

China ROHS

Not Reviewed

ELV

Not Reviewed

RoHS Phthalates

Not Reviewed

Search Parts in this Series

[130123 Series](#)