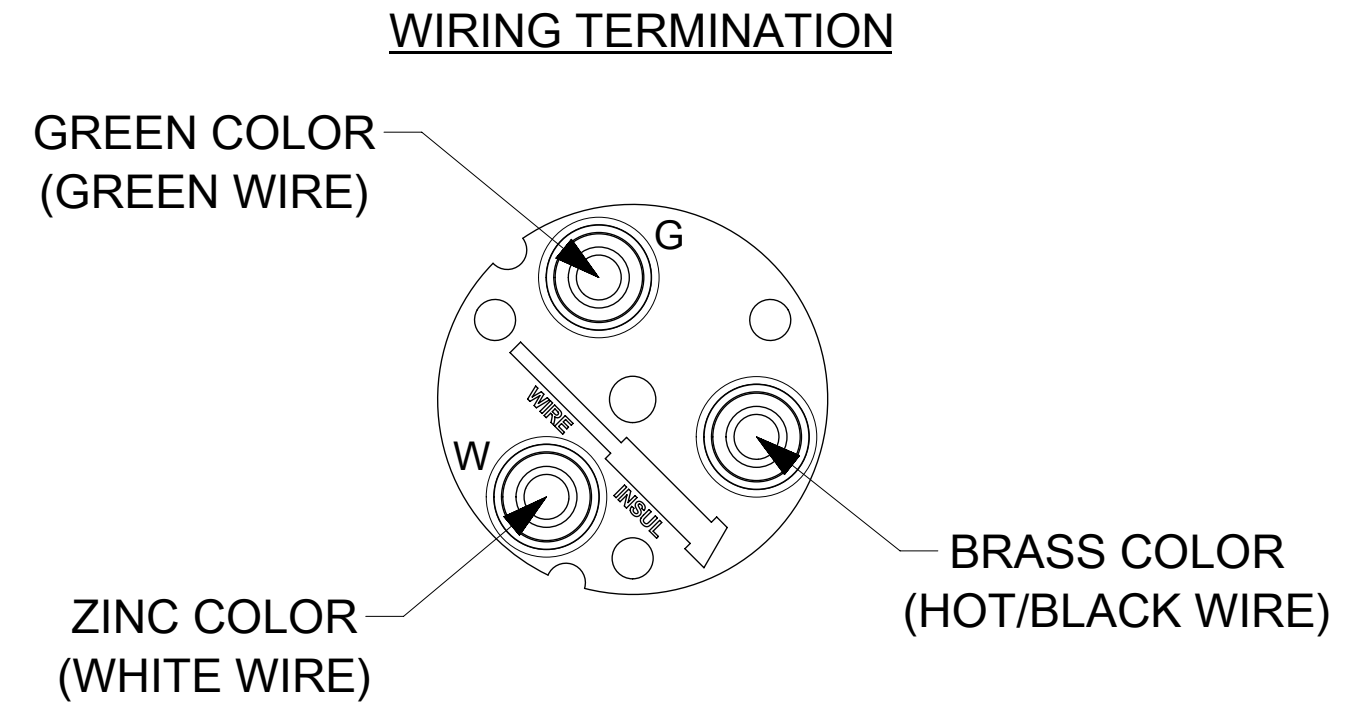
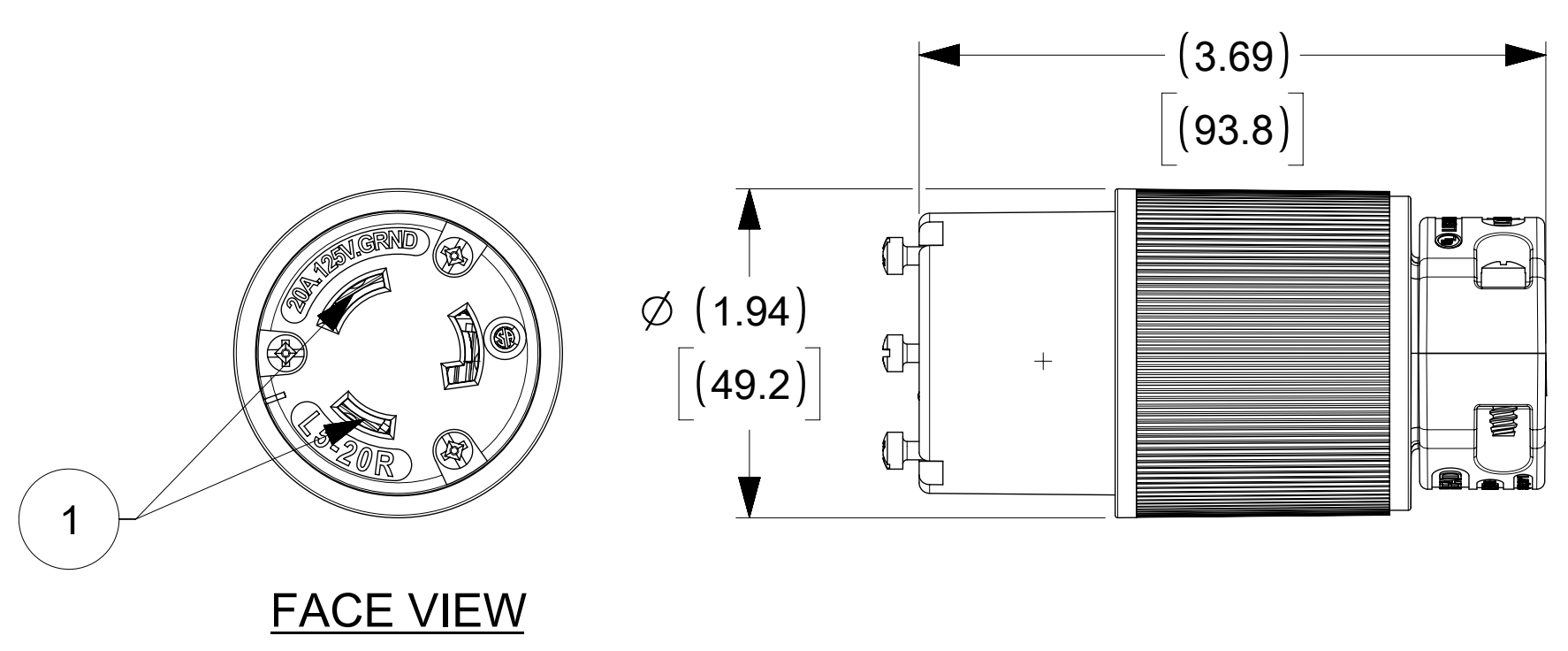
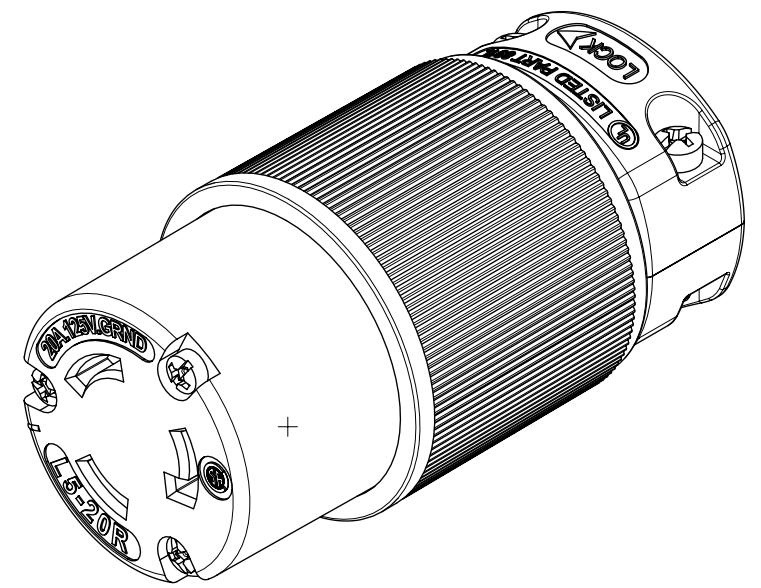
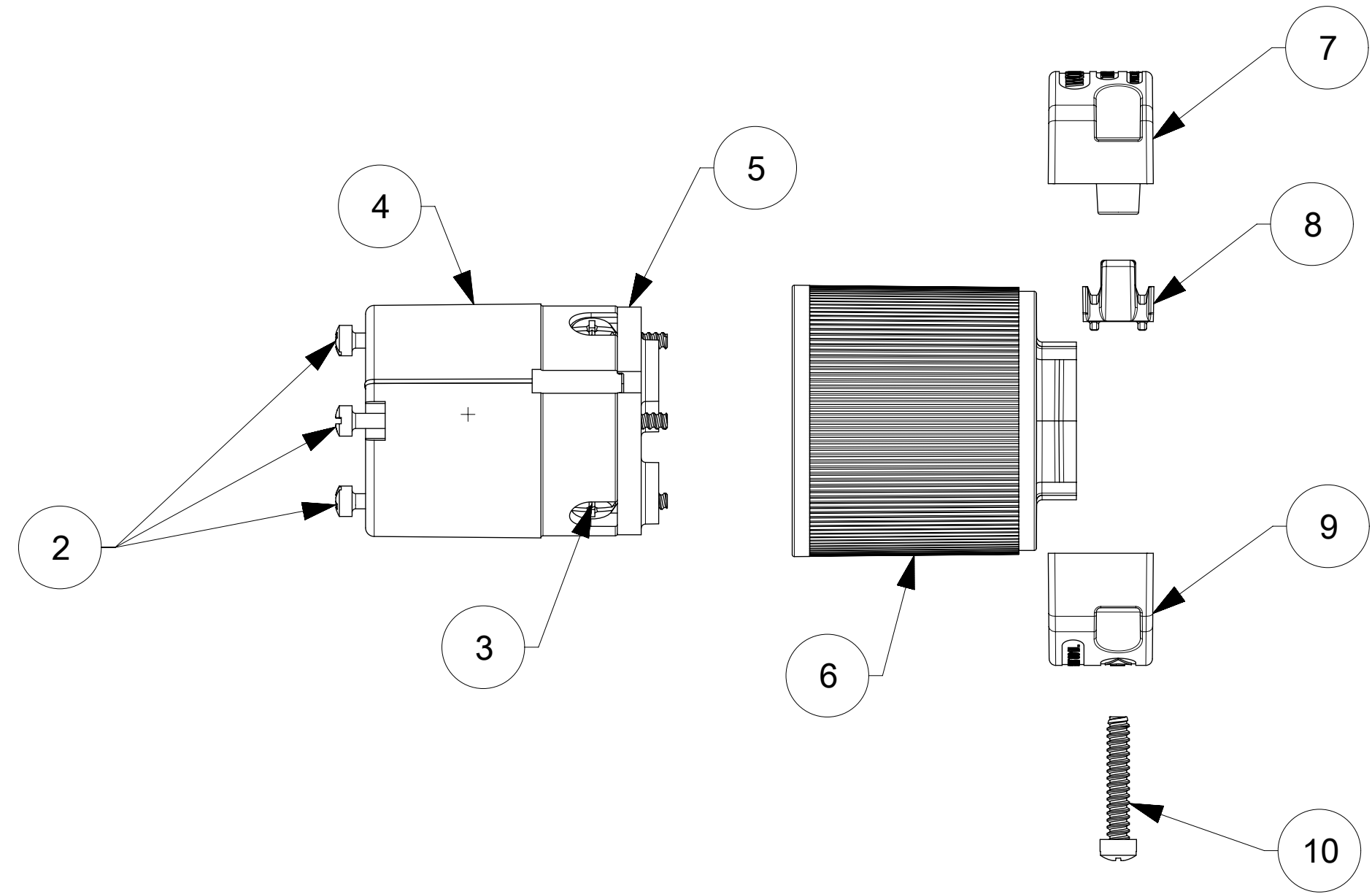


| ORDER NO.   | WOODHEAD NO. | COLOR  |
|-------------|--------------|--------|
| 130145-0030 | 27T47        | BLACK  |
| 130145-0031 | 27T47YL      | YELLOW |



| ITEM NO. | DESCRIPTIONS                   | MATERIAL             | QTY. |
|----------|--------------------------------|----------------------|------|
| 1        | BLADES                         | BRASS, NICKEL PLATED | 3    |
| 2        | RETAINING SCREWS               | STAINLESS STEEL      | 3    |
| 3        | TERMINAL SCREWS/CLAMP ASSEMBLY | BRASS, ZINC PLATED   | 3    |
| 4        | INSERT                         | NYLON                | 1    |
| 5        | TERMINAL COVER                 | POLYCARBONATE        | 1    |
| 6        | HOUSING                        | NYLON                | 1    |
| 7        | CLAMP CORD MALE                | NYLON                | 1    |
| 8        | CLAMP CORD INSERT              | NYLON                | 1    |
| 9        | CLAMP CORD FEMALE              | NYLON                | 1    |
| 10       | RETAINING SCREWS               | STAINLESS STEEL      | 2    |

|   |  |   |  |   |  |
|---|--|---|--|---|--|
| <b>SYMBOLS</b><br>DIMENSION UNITS: INCH[MM]<br>SCALE: NTS<br>GENERAL TOLERANCES (UNLESS SPECIFIED):<br>4 PLACES ±<br>3 PLACES ±<br>2 PLACES ±<br>1 PLACE ±<br>0 PLACES ±<br>ANGULAR TOL ± °<br>DRAFT WHERE APPLICABLE MUST REMAIN WITHIN DIMENSIONS |  | THIS DRAWING CONTAINS INFORMATION THAT IS PROPRIETARY TO MOLEX ELECTRONIC TECHNOLOGIES, LLC AND SHOULD NOT BE USED WITHOUT WRITTEN PERMISSION<br>CURRENT REV DESC: MIGRATION TO ECTR/NX<br>EC NO: 621329<br>DRWN: VBASUTHKARP 2019/02/18<br>CHK'D: VBASUTHKARP 2020/01/17<br>APPR: HKNEELAND 2020/08/27<br>INITIAL REVISION:<br>DRWN: VBASUTHKARP 2019/02/18<br>APPR: HKNEELAND 2020/08/27<br>THIRD ANGLE PROJECTION<br>DRAWING SERIES: C-SIZE 130145 |  | <br>SAFEWAY CONNECTOR TURNEX 2P3W L5-20<br>PRODUCT CUSTOMER DRAWING<br>DOCUMENT NUMBER: 1301450030<br>DOC TYPE: PSD<br>DOC PART: 000<br>REVISION: A<br>MATERIAL NUMBER: SEE TABLE<br>CUSTOMER: GENERAL MARKET<br>SHEET NUMBER: 1 OF 1 |  |
|---|--|---|--|---|--|