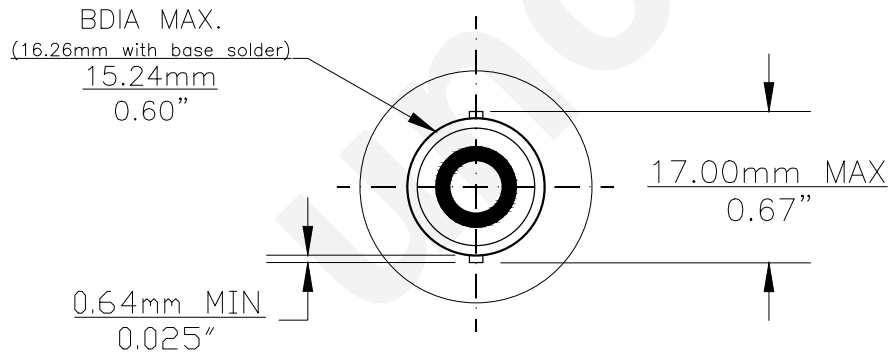
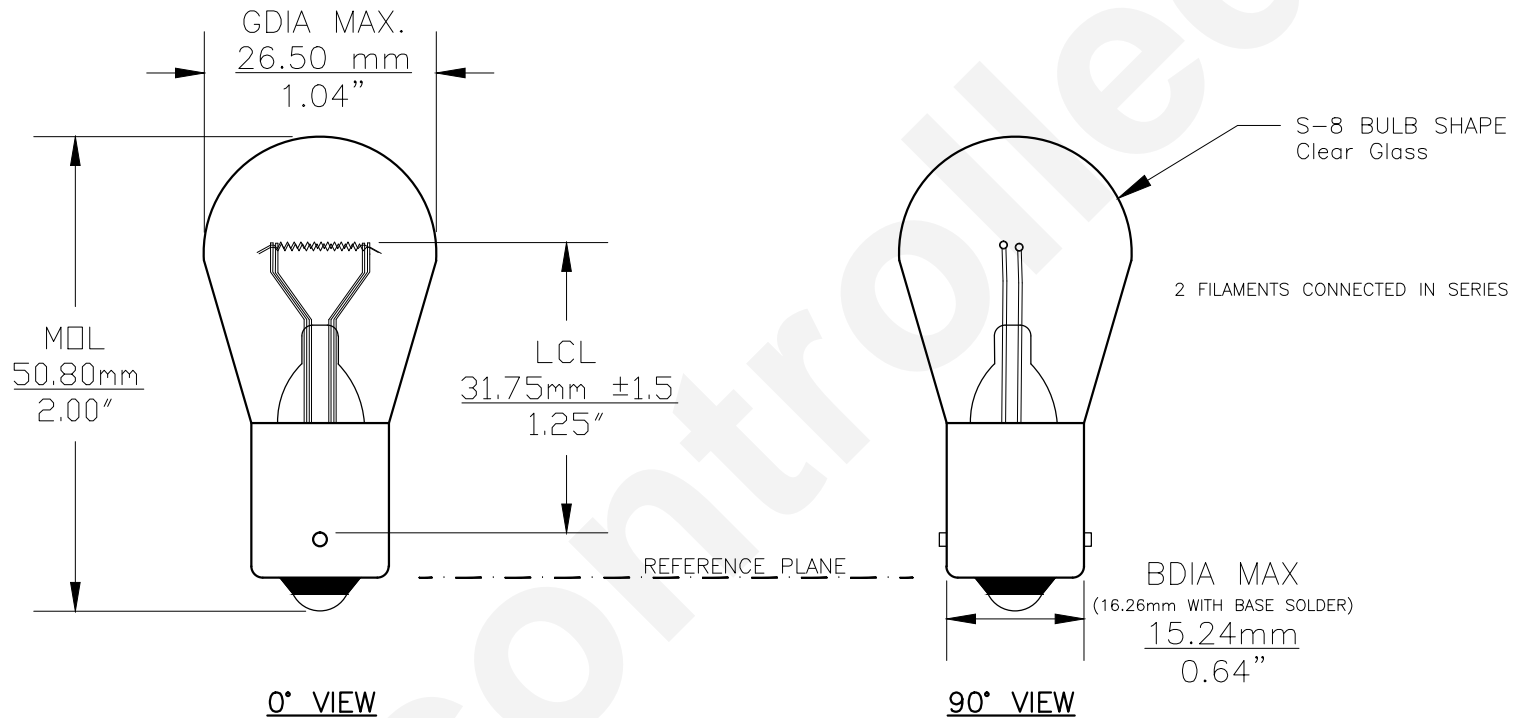




PART NO.	BASE TYPE	DESIGN VOLTS	DESIGN AMPS	MSCD	FILAMENT TYPE	AVERAGE LIFE HOURS	REVISIONS			
							REV #	DESCRIPTION	DATE	APPROVED
1683	S.C. Bayonet (BA15s)	28.0V	1.02±8%	32±10%	2C-6	500	1	ISSUED	02/01/2001	E.S.
							2	ADDITIONAL VIEW AND NOTES	11/02/2010	D.C.
							3	ADDITIONAL VIEW	10/22/2014	R.M.



Note: Made according to SAE specifications



UNLESS OTHERWISE SPECIFIED: DIMENSIONS ARE IN INCHES TOLERANCES		CEC INDUSTRIES LTD	
DECIMALS .XX ± .05	ANGULAR ± 0.5°	599 BOND STREET	LINCOLNSHIRE, IL 60069
.XXX ± .010	FRACTIONAL ± 1/64	TITLE LIGHT BULB NO. 1683	
DRAWN ELIZABETH SONANES	DATE 02/01/2001	SIZE A	FSCM NO. DWG NO. 1683 REV 3
CHECKED	DESIGN	SCALE	PLOT SCALE SHEET 1 OF 1
MATERIAL	FILE 1683.pdf	DRAWING NOT TO SCALE	