

4

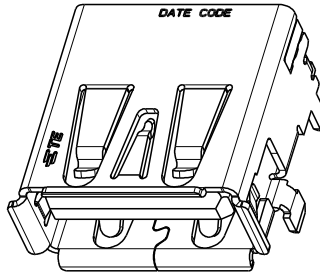
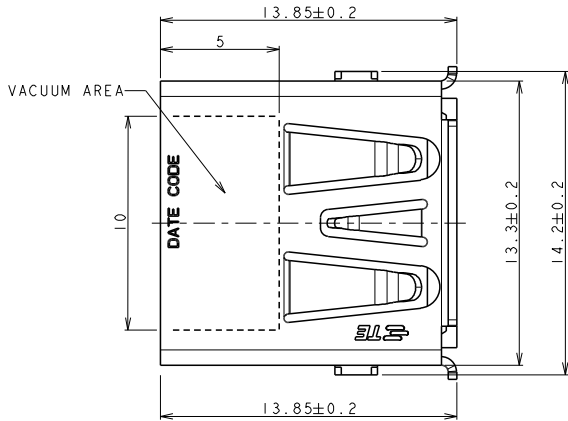
3

2

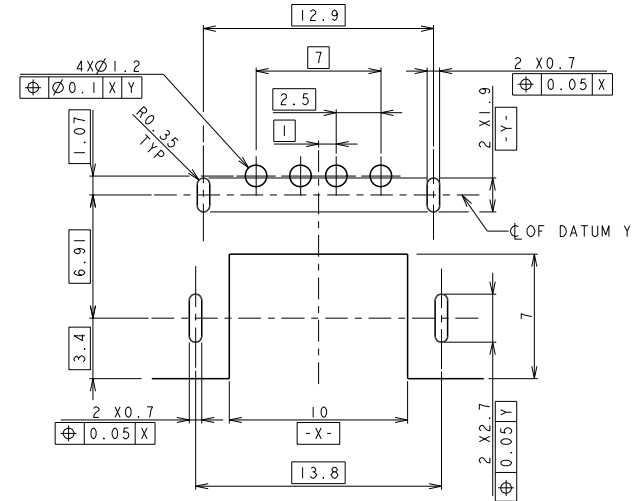
1

THIS DRAWING IS UNPUBLISHED. RELEASED FOR PUBLICATION 20
 © COPYRIGHT 20 BY - ALL RIGHTS RESERVED.

| LOC | DIST | REVISIONS | | | | | |
|-----|------|-----------|-----|-------------|-----------|-----|------|
| | | P | LTR | DESCRIPTION | DATE | DWN | APVD |
| ES | 00 | | A | RELEASED | 06APR2012 | J.H | S.Y |
| | | | | | | | |
| | | | | | | | |



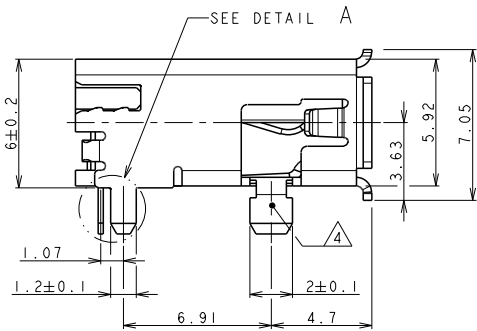
3D VIEW
ONLY FOR REFERENCE



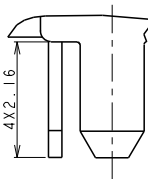
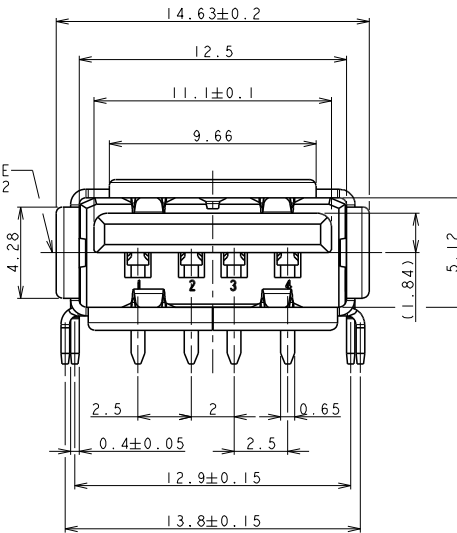
RECOMMENDED PCB LAYOUT
(THICKNESS=1.2mm, TOLERANCE=±0.05)

NOTES:

- △ MATERIALS:
 - HOUSING: NYLON, LOW HALOGEN; COLOR: BLACK
 - CONTACTS: COPPER ALLOY
 - SHIELD: CARBON STEEL (T=0.40mm)
- △ FINISH:
 - CONTACT: 0.13µm MIN GOLD PLATING AND POROSITY SEALING TREATMENT ON CONTACT AREA
 - 3.8µm MIN MATTE TIN ON SOLDER TAILS
 - 1.27µm MIN NICKEL UNDER PLATING
 - SHIELD: 3µm MIN MATTE TIN ALL OVER 1.0µm MIN NICKEL INCLUDES FRACTURE SURFACE (EDGE)



CENTER LINE
OF 5.12



DETAIL A
SCALE 15:1

1932854-1
PART NUMBER

| | | | | |
|--|--|---------------------------|---|--|
| THIS DRAWING IS A CONTROLLED DOCUMENT. | | DWN ADAMS LV 21APR2011 | TE Connectivity | |
| DIMENSIONS: mm | | CHW MARTIN LI 21APR2011 | | |
| TOLERANCES UNLESS OTHERWISE SPECIFIED: | | APVD STEVEN YAO 21APR2011 | NAME | |
| 0 PLC ± | | PRODUCT SPEC | RECEPTACLE ASSEMBLY RIGHT ANGLE | |
| 1 PLC ±0.20 | | 108-60034 | SMT USB 2.0 | |
| 2 PLC ±0.20 | | APPLICATION SPEC | SIZE CAGE CODE DRAWING NO RESTRICTED TO | |
| 3 PLC ± | | WEIGHT | A200779 ©=1932854 | |
| 4 PLC ± | | CUSTOMER DRAWING | SCALE 6:1 SHEET 1 OF 2 REV A | |
| ANGLES FINISH | | | | |

4

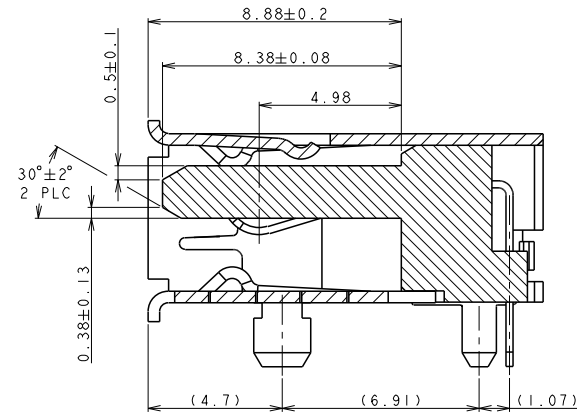
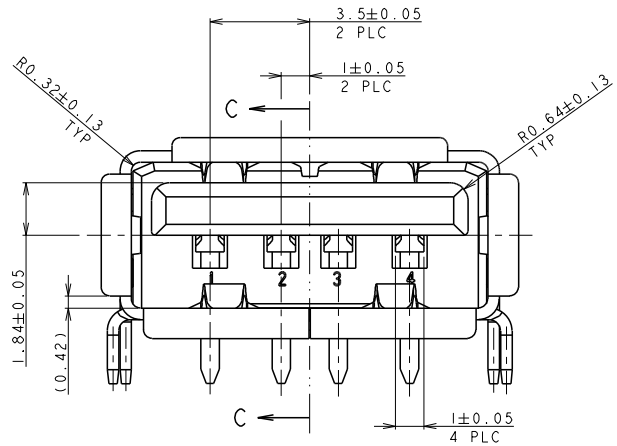
3

2

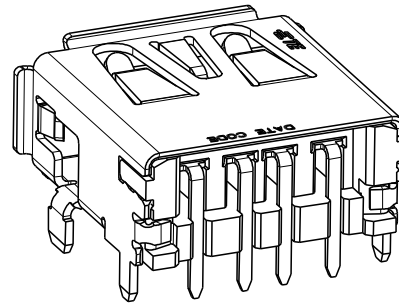
1

THIS DRAWING IS UNPUBLISHED. RELEASED FOR PUBLICATION 20
 © COPYRIGHT 20 BY - ALL RIGHTS RESERVED.

| LOC | DIST | REVISIONS | | | | | |
|-----|------|-----------|-----|-------------|------|-----|------|
| ES | 00 | P | LTR | DESCRIPTION | DATE | DWN | APVD |
| | | - | | SEE SHEET 1 | - | - | - |
| | | | | | | | |
| | | | | | | | |



SECTION C-C



3D VIEW ONLY FOR REFERENCE

| | | | |
|--|--|---------------------------|---------------------------------|
| THIS DRAWING IS A CONTROLLED DOCUMENT. | | DWN ADAMS LV 21APR2011 | TE TE Connectivity |
| | | CHK MARTIN LI 21APR2011 | |
| DIMENSIONS: mm | | APVD STEVEN YAO 21APR2011 | NAME |
| TOLERANCES UNLESS OTHERWISE SPECIFIED: | | PRODUCT SPEC | RECEPTACLE ASSEMBLY RIGHT ANGLE |
| 0 PLC ± | | APPLICATION SPEC | SMT USB 2.0 |
| 1 PLC ±0.20 | | SIZE | CAGE CODE DRAWING NO |
| 2 PLC ±0.20 | | WEIGHT | RESTRICTED TO |
| 3 PLC ± | | CUSTOMER DRAWING | A200779C=1932854 |
| 4 PLC ± | | SCALE | 6:1 |
| ANGLES ±° | | SHEET | 2 of 2 |
| FINISH | | REV | A |