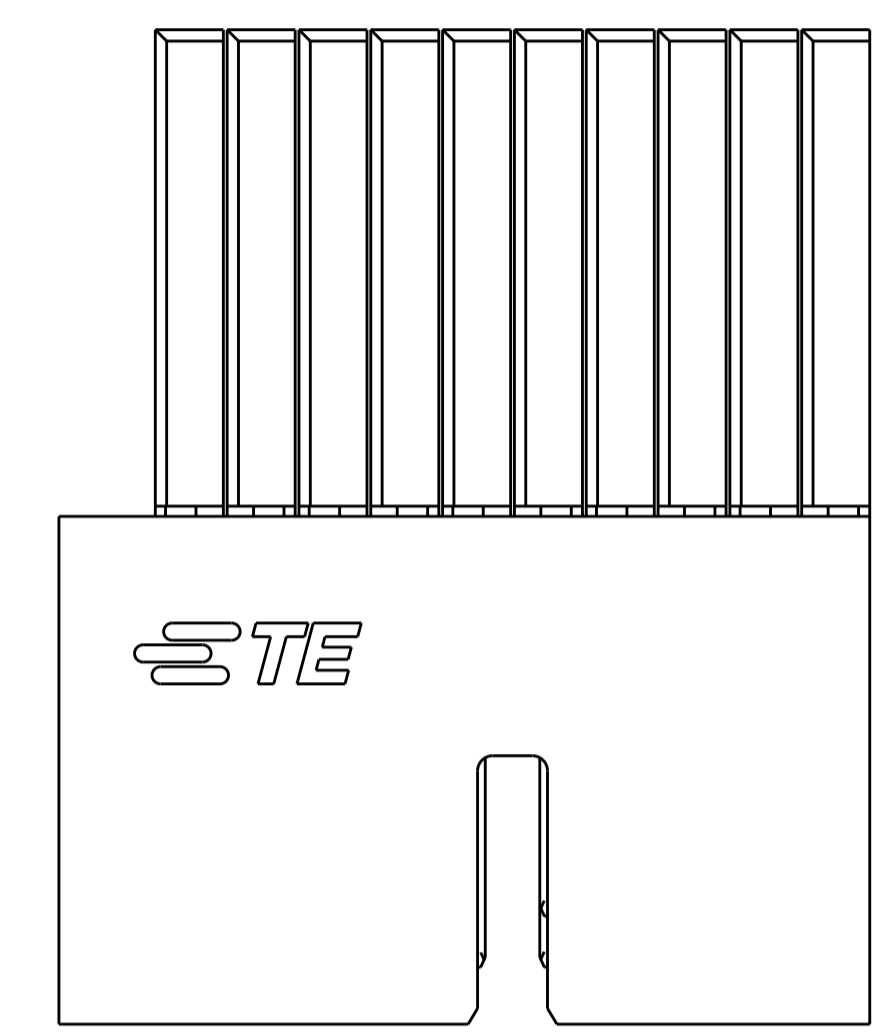
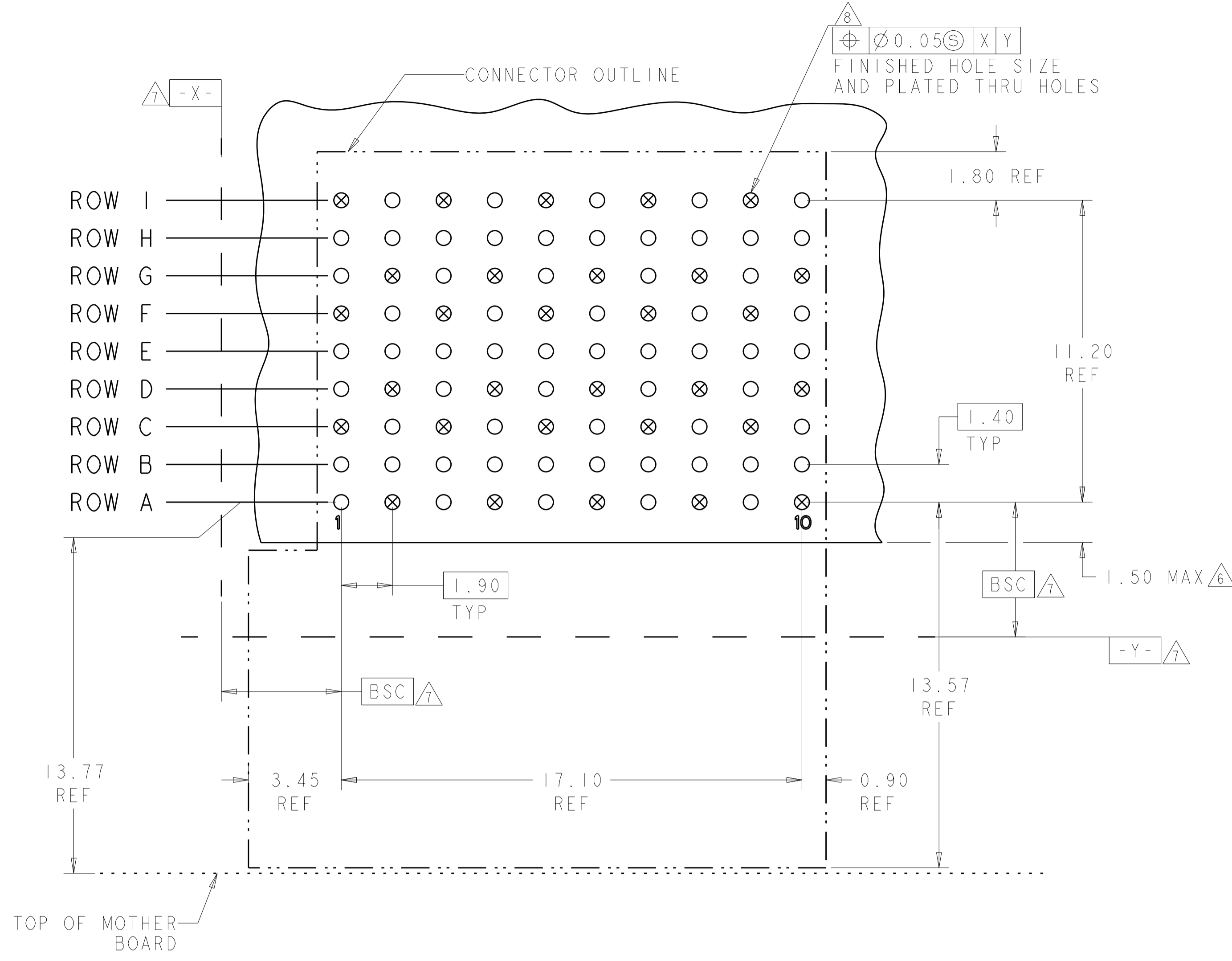


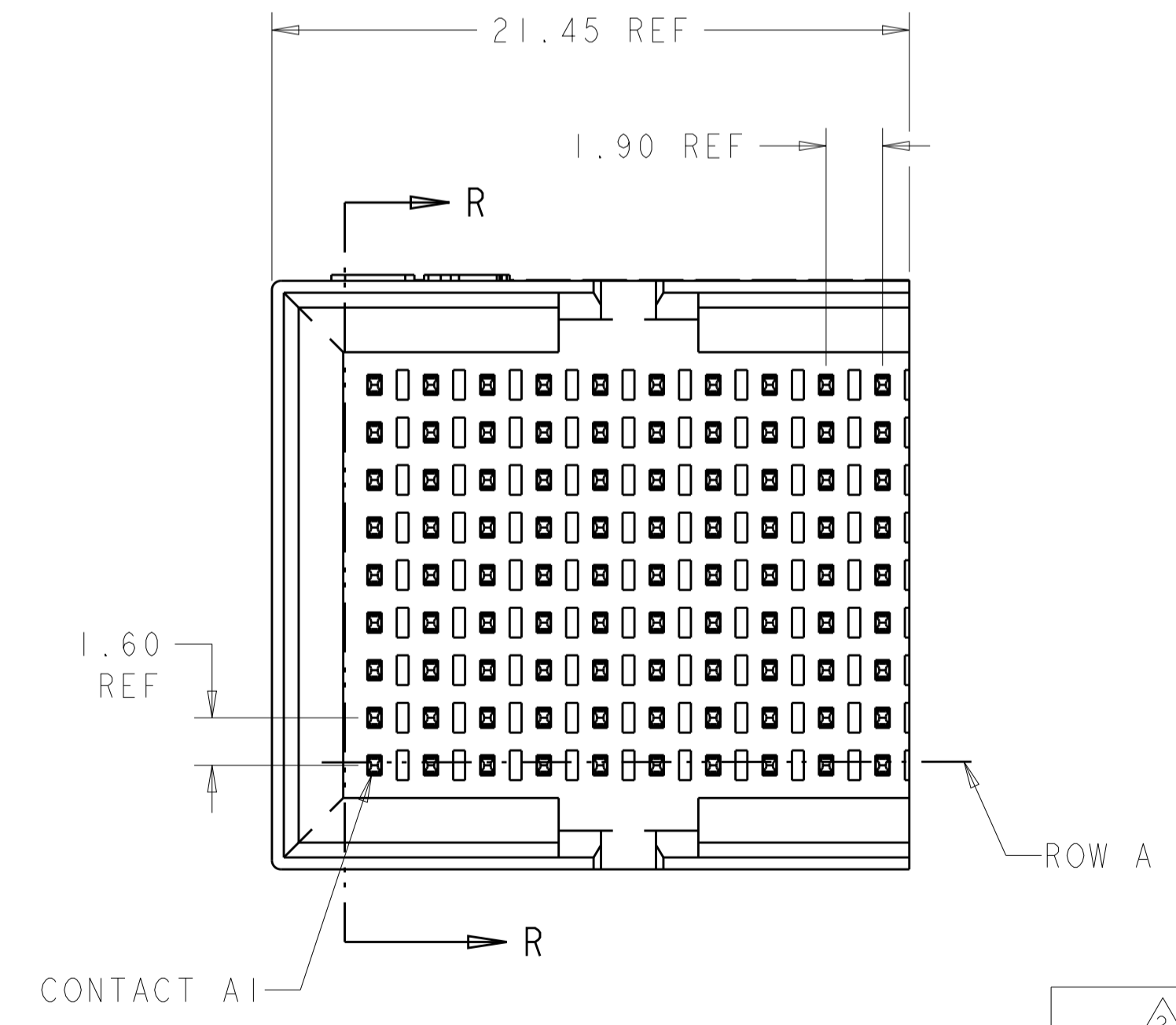
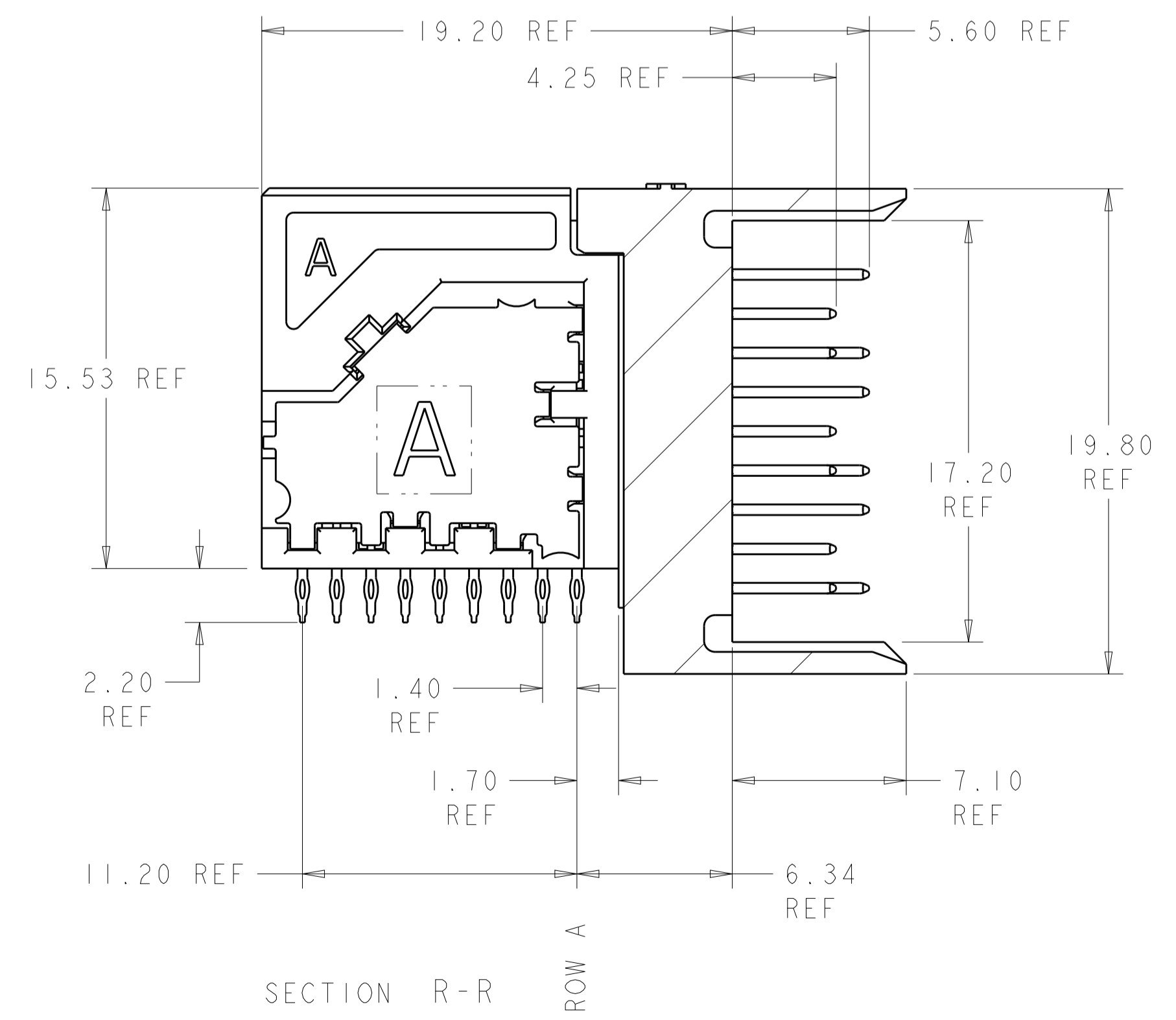
LOC		DIST		REVISIONS			
P	LTN	DESCRIPTION	DATE	DWN	APVD		
B		REV PER ECO 12-010940	2-29-12	CT	DH		
C		ECO-13-004755	26MAR2013	KG	DH		
D		ECO-14-017030	25NOV2014	MGM	CT		



○ = SIGNAL
⊗ = GROUND

RECOMMENDED PC BOARD LAYOUT
COMPONENT SIDE SHOWN
SCALE 8:1

- △ MATERIAL:
CONTACT AND SHIELD: COPPER ALLOY
HOUSING AND CHICKLET: LCP, COLOR: BLACK
- △ FINISH:
CONTACT: MATING AREA: 1.27µm MIN GOLD OVER
1.27µm MIN NICKEL
SHIELD: 1.27µm MIN NICKEL
- △ FINISH:
COMPLIANT PIN AREA: 0.38µm MIN BRIGHT TIN LEAD OVER
1.27µm MIN NICKEL
- △ FINISH:
COMPLIANT PIN AREA: 0.38µm MIN MATTE TIN OVER
1.27µm MIN NICKEL
- △ ---
- △ DIMENSION APPLIES TO CENTERLINE OF THRU HOLE.
- △ DATUMS AND BASIC DIMENSIONS ESTABLISHED BY CUSTOMER.
- △ REFERENCE APPLICATION SPEC 114-13267 FOR RECOMMENDED PLATED THRU HOLE DIAMETER AND PLATING THICKNESS.
- △ ALL GROUNDS IN ODD NUMBERED COLUMNS ARE COMMONED.
ALL GROUNDS IN EVEN NUMBERED COLUMNS, EXCEPT FOR ROW A ARE COMMONED.



△ 4	2000890-2
△ 3	2000890-1
FINISH	PART NUMBER

THIS DRAWING IS A CONTROLLED DOCUMENT. DIMENSIONING AND TOLERANCING PER GPS (ISO STANDARDS)		DWN: D. BELACK 24JUN2009	TE Connectivity
TOLERANCES UNLESS OTHERWISE SPECIFIED:		CHK: A. TSANG 6-24-2009	
DIMENSIONS:	mm	APVD: M. McALONIS 6-24-2009	NAME: Fortis Zd, 3-PAIR, 10-COLUMN, RIGHT ANGLE LEFT MODULE ASSEMBLY, DIFFERENTIAL PAIR
0 PLC	±	PRODUCT SPEC	SIZE: CAGE CODE DRAWING NO
1 PLC	±0.13	108-2409	RESTRICTED TO
2 PLC	±0.05	APPLICATION SPEC	A100779C=2000890
3 PLC	±	114-13267	WEIGHT: ~13.48g
4 PLC	±		Customer Drawing
ANGLES	±		SCALE: 5:1 SHEET 1 OF 1 REV D