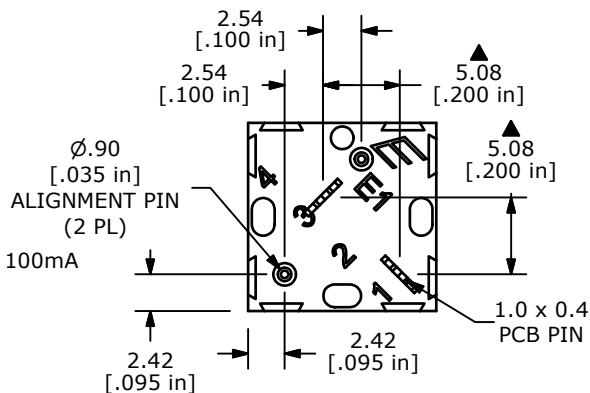


NOTE:

1. ALL DIMENSIONS IN MM [INCH]
2. GENERAL TOLERANCE: X.X = 0.4  
X.XX = 0.25
3. TERMINAL NO'S FOR REFERENCE ONLY.
- ▲ 4. CONTACT RATING: 25mA @ 50VDC
5. OPERATING FORCE: 135gF ± 50gF
6. TRAVEL: 0.6mm
7. CONTACT RESISTANCE: 50mΩ MAX. INITIAL @ 2-4 VDC, 100mA
8. INSULATION RESISTANCE: 100MΩ @ 100VDC
9. DIELECTRIC STRENGTH: >500VAC RMS AT SEA LEVEL
10. OPERATING TEMP: -20°C TO 70°C
11. ▲ DENOTE CRITICAL PARAMETER
12. 2002/95/EC (ROHS) COMPLIANT



B	20183	REVISED AND REDRAWN	9/28/11	BGL
REV	PCR NO	DESCRIPTION	DATE	BY

TITLE 320.04E11GRYVERT				
SCALE 2:1	DATE 9/28/2011	DR BGL	DWG XB0164P	REV B

THE INFORMATION CONTAINED IN THIS DOCUMENT IS PROPRIETARY TO E-SWITCH AND IS NOT TO BE COPIED OR TRANSFERRED