

REV. Status  
 REVISION -  
 05/07/07 YS

LOW PROFILE, THREE FLANGE 12VA POWER TRANSFORMER APPROVED TO UL506 AND CSA C22.2 NO. 66-1988 AND USES A UL CLASS B (130°C) APPROVED INSULATION SYSTEM

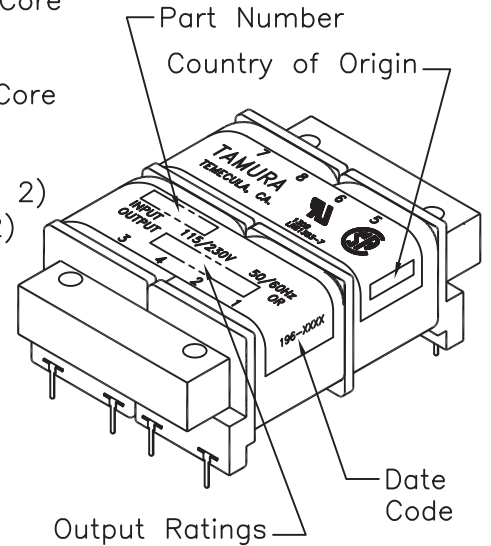
MODEL NUMBER  
 3FL & PF 12VA

A. Electrical Specifications (@25°C)

1. Maximum Power: 12VA
2. Primary Voltage and Frequency: 115/230VAC  
50/60Hz.
3. Secondary RMS Rating: See Table A on sheet 2
4. Voltage Regulation: 20% TYP @ full load to no load
5. Temperature Rise: 35°C TYP (45°C MAX)
6. Insulation Resistance:  
100MΩ MIN @ 500VDC, Pri to Sec, Pri to Core  
100MΩ MIN @ 500VDC, Sec to core
7. Dielectric Withstand:  
1500Vrms 1 minute @ Pri to Sec, Pri to Core  
1500Vrms 1 minute @ Sec to Core



B. Marking: TAMURA, Tamura part number (see sheet 2)  
 MICROTRAN, Microtran part number (see sheet 2)  
 date code, country of origin, safety logos  
 and input and output ratings (see sheet 2)

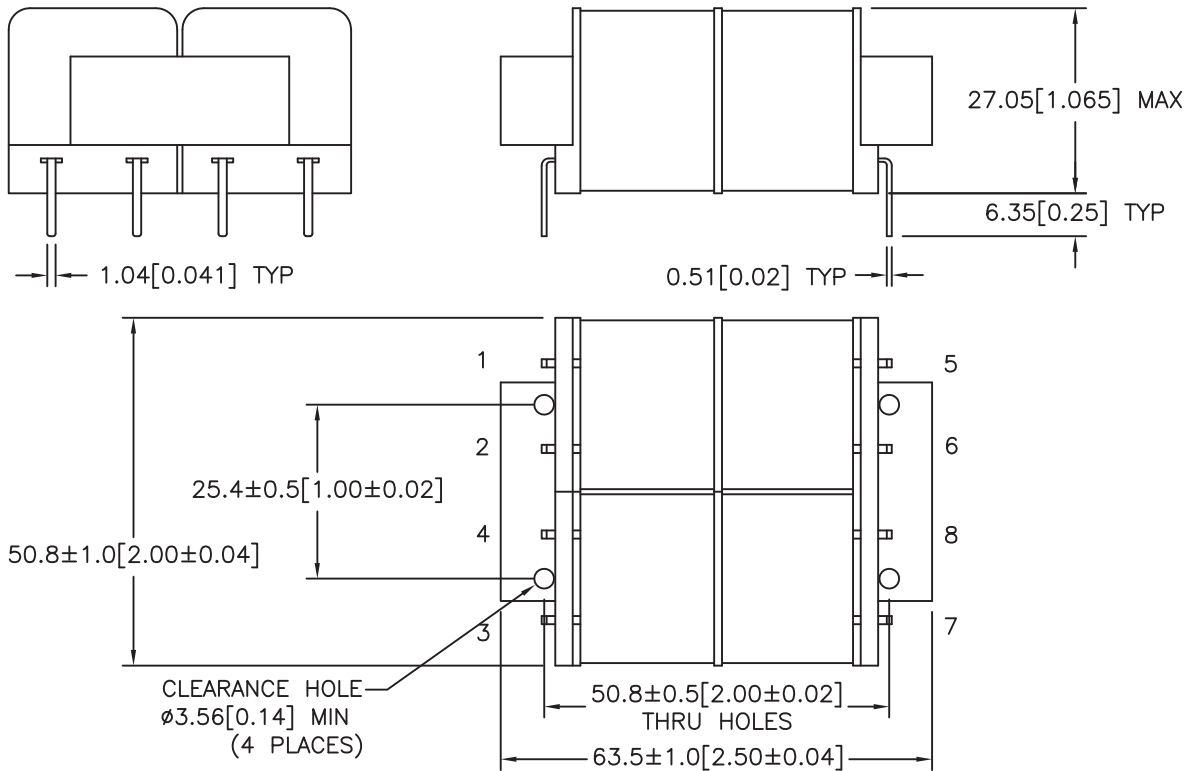


C. Safety:

UL approved, UL506 File E145619, E79781  
 Insulation Class B (130°C) File No E92957  
 CSA Certified, C22.2 No. 66 File 081383  
 (3FL Series)



D. Mechanical Specifications:

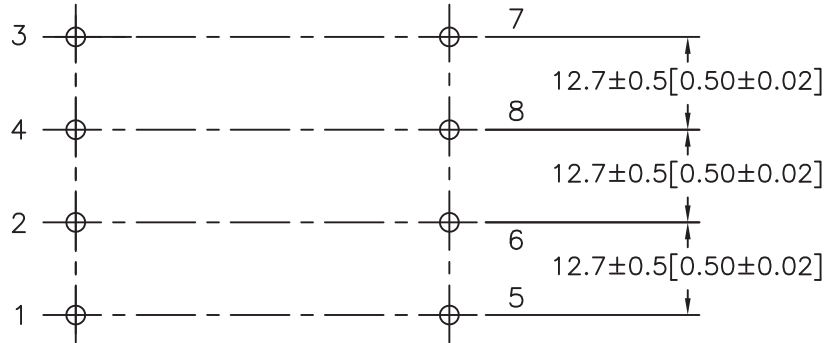


| TOLERANCES (mm) |
|-----------------|
| ≤ 4 ± 0.2       |
| 4 ≤ 20 ± 0.3    |
| 20 ≤ 50 ± 0.4   |

PREPARED BY:  
 K. BRENNAN

|                                |                                                                                                                                                                                                                                                                                                                                                                                              |          |                                                                |                                      |
|--------------------------------|----------------------------------------------------------------------------------------------------------------------------------------------------------------------------------------------------------------------------------------------------------------------------------------------------------------------------------------------------------------------------------------------|----------|----------------------------------------------------------------|--------------------------------------|
| ENGINEER:<br>M. PITCHAI        | DRAWING CONTROL NO.<br>P-A1-11688                                                                                                                                                                                                                                                                                                                                                            | REV<br>- | MODEL DESCRIPTION<br>12VA 3FL & PF SERIES<br>POWER TRANSFORMER | MODEL SPECIFICATION<br>3FL & PF 12VA |
| SAFETY ENGINEER<br>B. OCONNELL | CONTENTS OF THIS DRAWING ARE SUBJECT TO CHANGE WITHOUT PRIOR NOTICE<br><b>TAMURA CORPORATION OF AMERICA</b><br>1040 SOUTH ANDREASEN DRIVE, #100 ESCONDIDO, CA. 92029<br>(951) 699-1270 FAX 7607400536                                                                                                                                                                                        |          |                                                                | DIM: mm[In] SCL: NONE SH: 1 OF 2     |
| APPROVED:<br>Y. SEKIGUCHI      | PROPRIETARY NOTICE: THIS DRAWING PRINT OR DOCUMENT AND SUBJECT MATTER DISCLOSED HEREIN ARE PROPRIETARY ITEMS TO WHICH TAMURA RETAINS THE EXCLUSIVE RIGHT OF DISSEMINATION, REPRODUCTION, MANUFACTURE AND SALE. THIS DRAWING, PRINT OR DOCUMENT IS SUBMITTED IN CONFIDENCE FOR CONSIDERATION BY THE RECIPIENT ALONE UNLESS PERMISSION FOR FURTHER DISCLOSURE IS EXPRESSLY GRANTED IN WRITING. |          |                                                                |                                      |

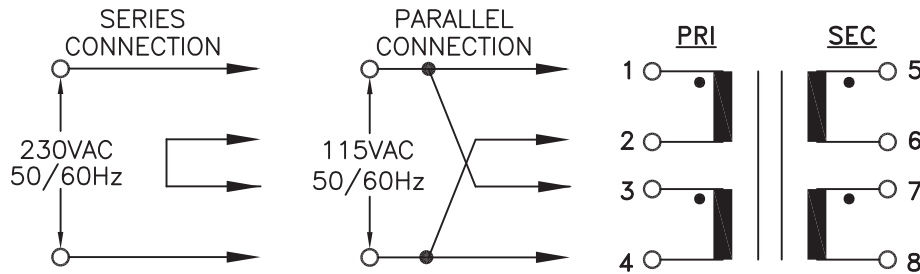
E. Mounting Footprint:



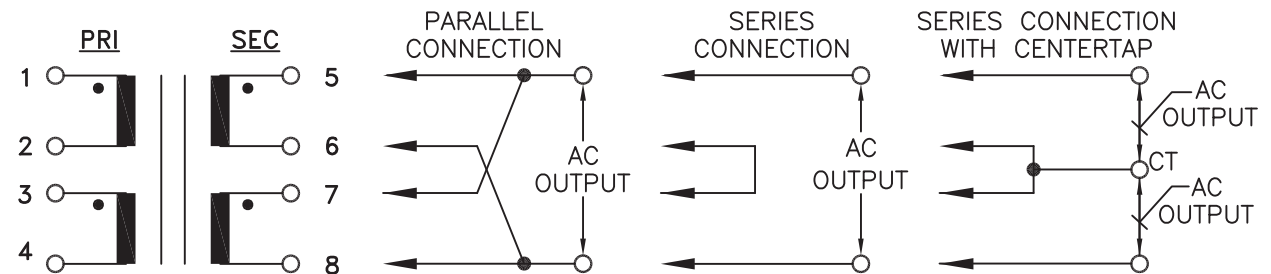
MODEL NUMBER  
**3FL & PF 12VA**

F. Schematic Diagram:

**PRIMARY INPUT CONNECTIONS**



**SECONDARY OUTPUT CONNECTIONS**



G. Table A:

| TAMURA PART NO. | MICROTRAN PART NO. | PARALLEL CONNECTION |          | SERIES CONNECTION |          | SERIES CONNECTION WITH CT |          |
|-----------------|--------------------|---------------------|----------|-------------------|----------|---------------------------|----------|
|                 |                    | AC VOLTS            | RMS AMPS | AC VOLTS          | RMS AMPS | AC VOLTS                  | RMS AMPS |
| 3FL10-1200      | PF12-10            | 5.0                 | 2.40     | 10.0              | 1.20     | 5.0-CT-5.0                | 1.20     |
| 3FL12-950       | PF12-12            | 6.3                 | 1.90     | 12.6              | 0.95     | 6.3-CT-6.3                | 0.95     |
| 3FL16-700       | PF12-16            | 8.0                 | 1.40     | 16.0              | 0.70     | 8.0-CT-8.0                | 0.70     |
| 3FL20-600       | PF12-20            | 10.0                | 1.20     | 20.0              | 0.60     | 10.0-CT-10.0              | 0.60     |
| 3FL24-500       | PF12-24            | 12.0                | 1.00     | 24.0              | 0.50     | 12.0-CT-12.0              | 0.50     |
| 3FL30-400       | PF12-30            | 15.0                | 0.80     | 30.0              | 0.40     | 15.0-CT-15.0              | 0.40     |
| 3FL34-340       | PF12-34            | 17.0                | 0.68     | 34.0              | 0.34     | 17.0-CT-17.0              | 0.34     |
| 3FL40-300       | N/A                | 20.0                | 0.60     | 40.0              | 0.30     | 20.0-CT-20.0              | 0.30     |
| 3FL56-200       | PF12-56            | 28.0                | 0.42     | 56.0              | 0.21     | 28.0-CT-28.0              | 0.21     |
| 3FL88-130       | N/A                | 44.0                | 0.26     | 88.0              | 0.13     | 44.0-CT-44.0              | 0.13     |
| 3FL120-100      | N/A                | 60.0                | 0.20     | 120.0             | 0.10     | 60.0-CT-60.0              | 0.10     |
| 3FL230-50       | N/A                | 115.0               | 0.10     | 230.0             | 0.05     | 115.0-CT-115.0            | 0.05     |

PREPARED BY:

K. BRENNAN

ENGINEER:

M. PITCHAI

SAFETY ENGINEER

B. OCONNELL

APPROVED:

Y. SEKIGUCHI

DRAWING CONTROL NO.

P-A1-11688

REV

-

MODEL DESCRIPTION  
12VA 3FL & PF SERIES  
POWER TRANSFORMER

**TAMURA CORPORATION OF AMERICA**  
1040 SOUTH ANDREASEN DRIVE, #100 ESCONDIDO, CA. 92029  
(951) 699-1270 FAX 7607400536

MODEL SPECIFICATION

**3FL & PF 12VA**

DIM: mm [In] SCL: NONE SH: 2 OF 2

CONTENTS OF THIS DRAWING ARE SUBJECT TO CHANGE WITHOUT PRIOR NOTICE

PROPRIETARY NOTICE: THIS DRAWING PRINT OR DOCUMENT AND SUBJECT MATTER DISCLOSED HEREIN ARE PROPRIETARY ITEMS TO WHICH TAMURA RETAINS THE EXCLUSIVE RIGHT OF DISSEMINATION, REPRODUCTION, MANUFACTURE AND SALE. THIS DRAWING, PRINT OR DOCUMENT IS SUBMITTED IN CONFIDENCE FOR CONSIDERATION BY THE RECIPIENT ALONE UNLESS PERMISSION FOR FURTHER DISCLOSURE IS EXPRESSLY GRANTED IN WRITING.