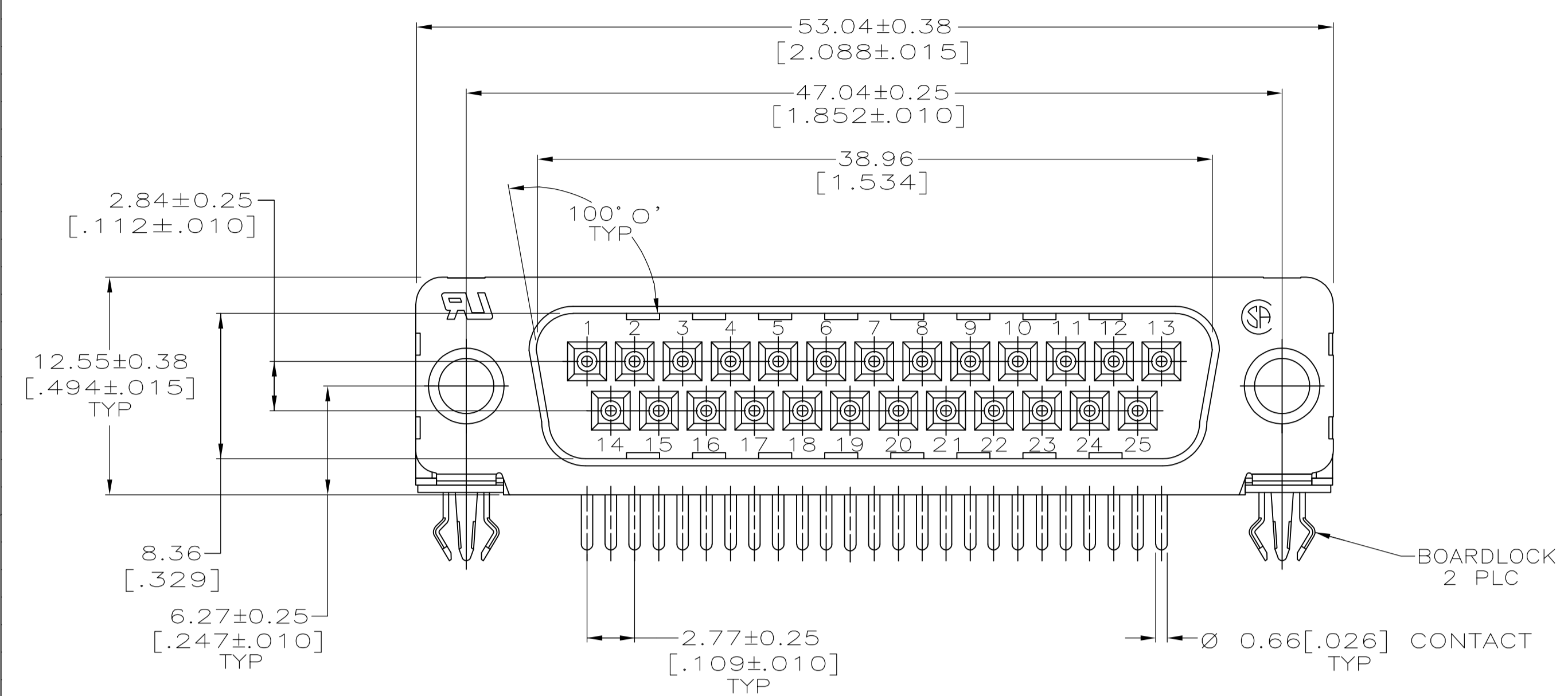
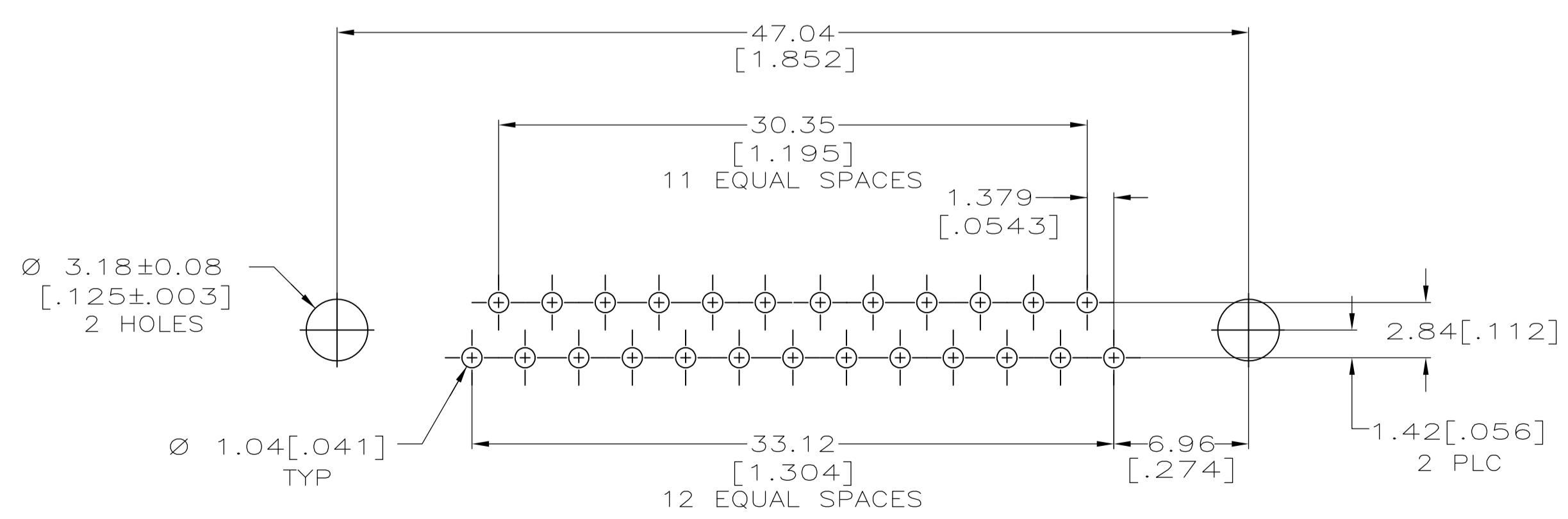
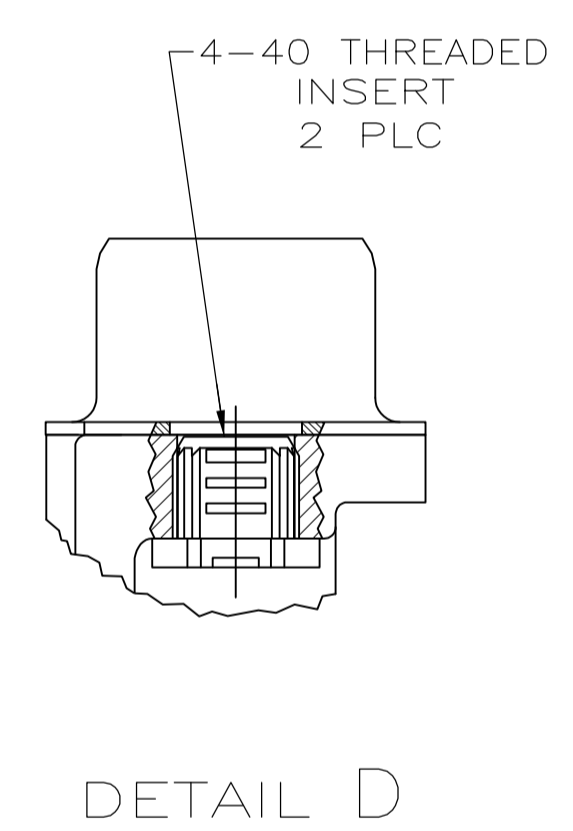
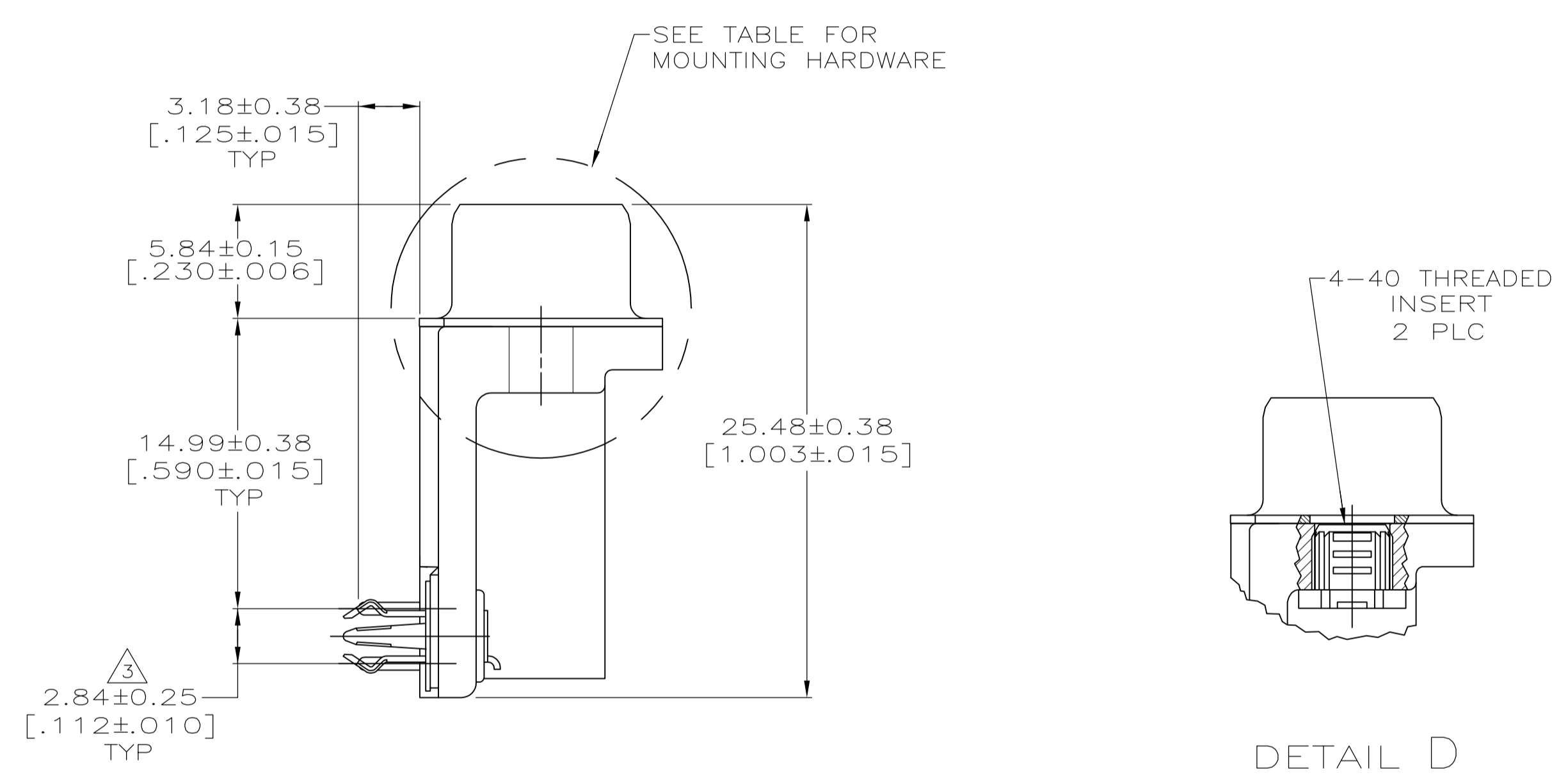
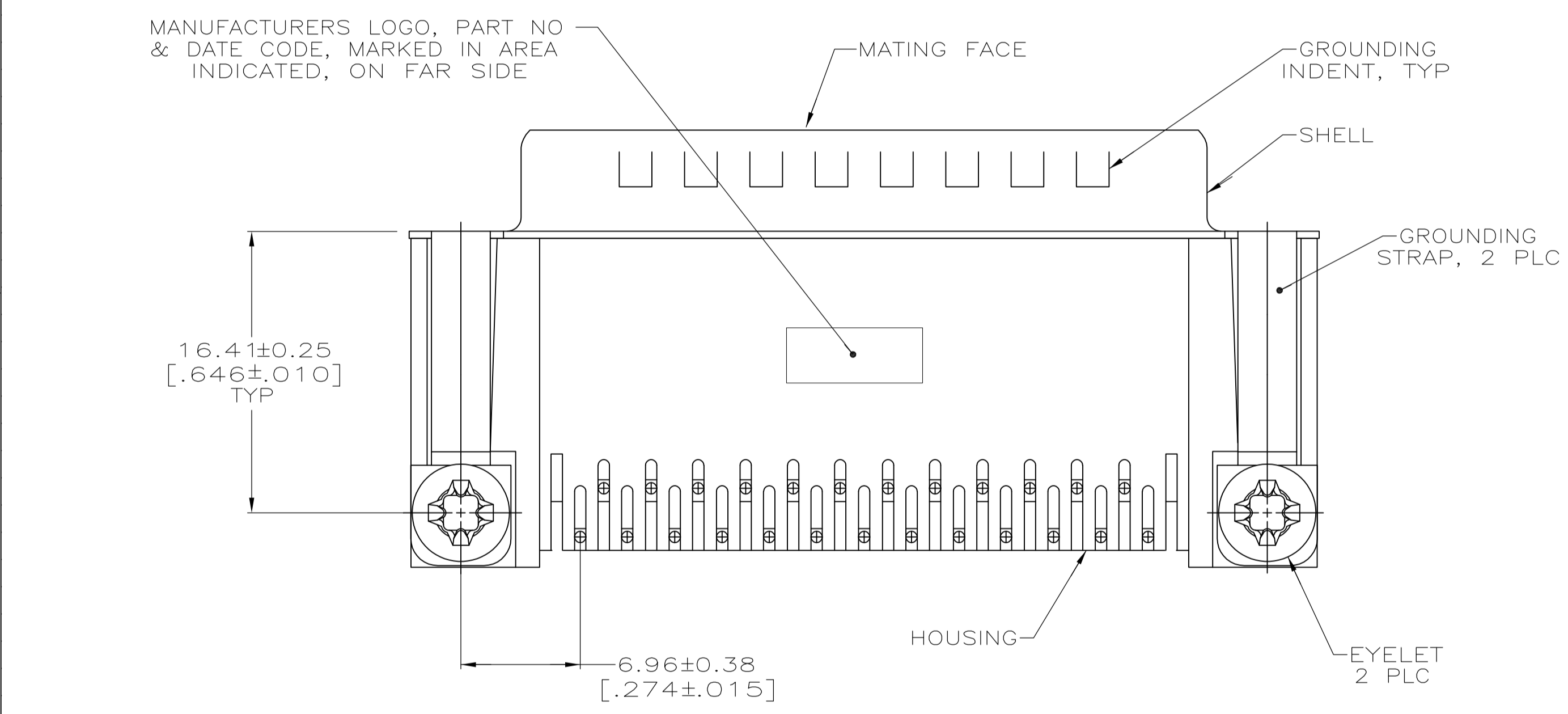


LOC		DIST		REVISIONS			
GP	00	P	LTR	DESCRIPTION	DATE	DN	APVD
C				REVISED PER ECO-12-022391	02JAN2013	CJV	SLB



- 1 HOUSING: NYLON OR POLYESTER, FLAME RETARDANT, UL 94V-0 RATED, GLASS FILLED, BLACK.  
CONTACTS: BRASS  
SHELL: CARBON STEEL  
EYELETS: BRASS; BOARDLOCKS: COPPER ALLOY  
INSERTS: ZINC
- 2 SHELL: 2.54µm[.000100] MIN TIN OVER 1.27µm[.00050] MIN COPPER.  
EYELETS: 2.54µm[.000100] MIN TIN OVER COPPER FLASH.  
CONTACTS: 0.76µm[.000030] MIN GOLD PLATE ON THE MATING SURFACES, 2.54µm[.000100] MIN TIN PLATE ON THE SOLDER END, 1.27µm[.000050] MIN NICKEL UNDERPLATE ON THE ENTIRE CONTACT  
-OR-  
GOLD FLASH OVER PALLADIUM-NICKEL PLATE, 0.76µm[.000030] MIN TOTAL ON THE MATING SURFACES, 2.54µm[.000100] MIN TIN PLATE ON THE SOLDER END, 1.27µm[.000050] MIN NICKEL UNDERPLATE ON THE ENTIRE CONTACT.  
BOARDLOCKS: 3.81µm[.000150] MIN TIN OVER 1.27µm[.000050] MIN NICKEL.  
INSERTS: CLEAR CHROMATE
- 3 DIMENSION APPLIES FROM CENTER OF CONTACT.



RECOMMENDED P.C. BOARD MOUNTING DIMENSIONS  
P.C. BOARD THICKNESS: 1.57[.062]

**COPYRIGHT 2005  
TYCO ELECTRONICS CORP  
ALL RIGHTS RESERVED**

SEE DETAIL D	5747829-4
MOUNTING HARDWARE	PART NUMBER

THIS DRAWING IS A CONTROLLED DOCUMENT. DIMENSIONING AND TOLERANCING PER ASME Y14.5M-2009		DIN 04-06-05 G. ATTADIA - DOCKS		TE Connectivity	
DIMENSIONS: mm [INCHES]		TOLERANCES UNLESS OTHERWISE SPECIFIED:		APVD M. WALMSLEY 04-06-05	
0 PLC ± -		1 PLC ± -		NAME PLUG ASSEMBLY, SIZE 3, 25 POSITION, RIGHT ANGLE, FRONT METAL SHELL, .590 SERIES, BOARDLOCKS, AMPLIMITE HD-20	
2 PLC ± -		3 PLC ± 0.13[.005]		PRODUCT SPEC 108-40025	
4 PLC ± -		ANGLES ± α °		APPLICATION SPEC 114-40010	
MATERIAL		FINISH		SIZE CASE CODE DRAWING NO RESTRICTED TO	
1		2		A1 00779 C=5747829	
CUSTOMER DRAWING		SCALE 4:1		SHEET 1 OF 1 REV C	