

Heat Sinks for Intel® Xeon® processor



Heat Sinks for Intel® Xeon® processor

Heat sinks for optimized cooling for Intel® Xeon® processor microarchitecture in a FCLGA3647 package*. This product family includes individual heat sinks specifically designed for 1U or 2U applications with either low impedance or high power dissipation.

Heat sinks are ready to mount and come with specially formulated thermal grease for Intel applications (comes with grease shield).

ORDERING INFORMATION

Part Number	Height	HS Type	Spreader
647058	1U - 25.2 mm	Extruded	None
647061	1U - 25.5 mm	Zipper Fin	Copper Plate with Heat Pipe
647062	1U - 25.5 mm	Zipper Fin	None
647064	2U - 64.0 mm	Zipper Fin	Copper Plate with Heat Pipes



FEATURES & BENEFITS

Features and Benefits

Maximum Performance utilizing high density fin fabrication for increased surface area and reduced solution size.

Thin fin geometry lowers pressure drop, improves system airflow, and reduces fan costs.

Designed to meet all Intel standards and requirements, including mounting hardware, stiffness, and performance.

Specialized thermal grease formulated for high performance pre-applied to base and protected with individual grease shield.

Pre-assembled with captive mounting hardware and ready for installation with instruction label.

Precise surface flatness and high performance thermal grease ensure minimum interface resistance.

DETAILS

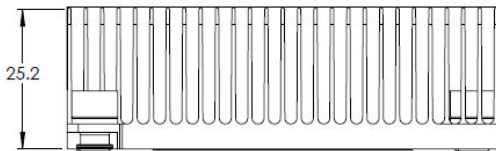
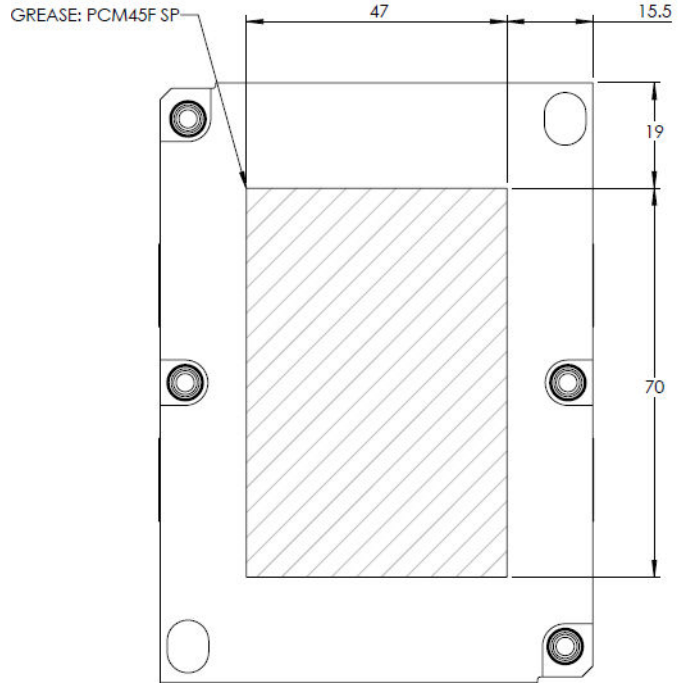
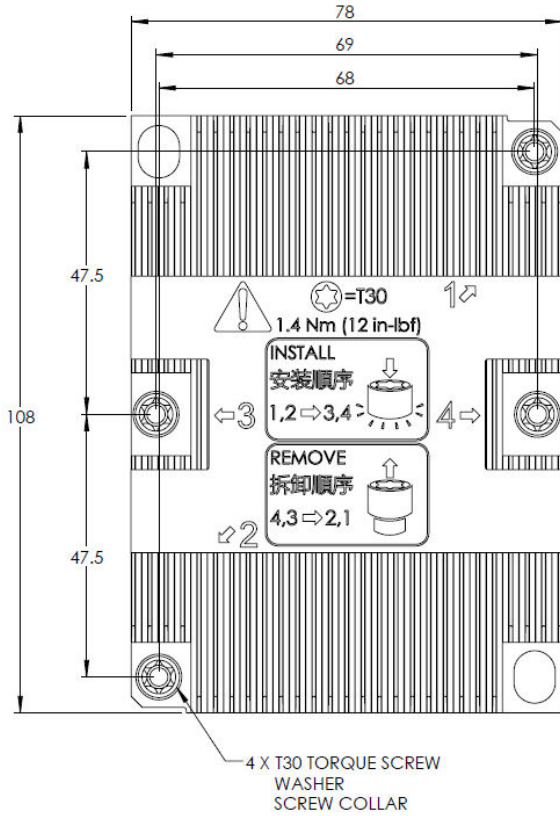
Part Number	Length	Width	Height	Heat Sink Type	Spreader Type	Weight
647058	108 mm	78 mm	25.2 mm	Extruded	None	78 g
647061	108 mm	78 mm	25.5 mm	Zipper Fin	Copper Plate with Heat Pipe	70 g
647062	108 mm	78 mm	25.5 mm	Zipper Fin	None	72 g
647064	108 mm	78 mm	64.0 mm	Zipper Fin	Copper Plate with Heat Pipes	114 g

Heat Sinks for Intel® Xeon® processor

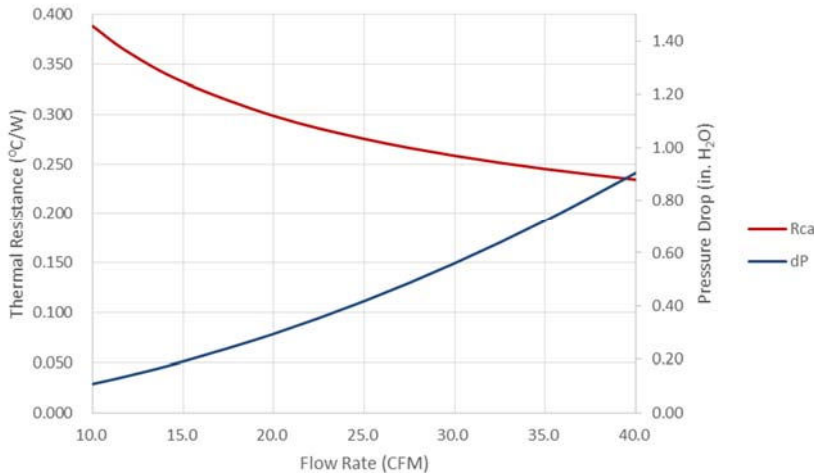
MECHANICAL & PERFORMANCE

Part Number: 647058

Drawing dimensions are shown in mm

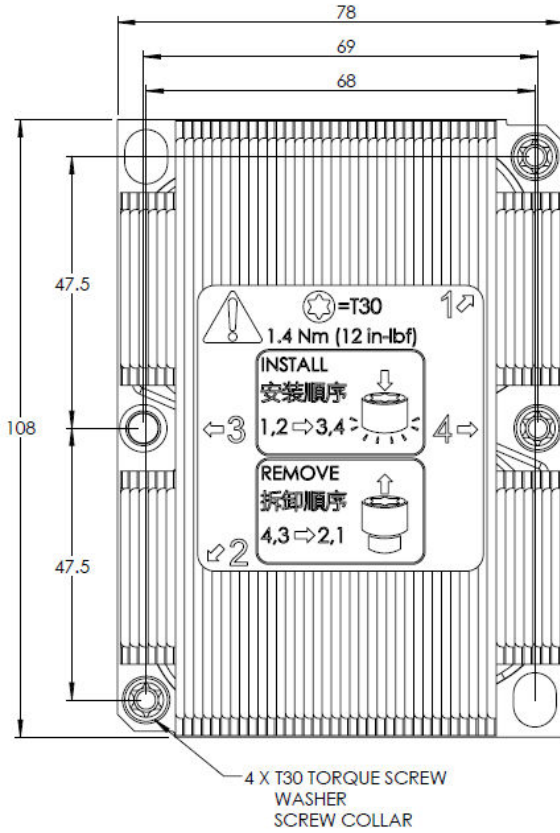


Performance of CPU Heat Sink 647058

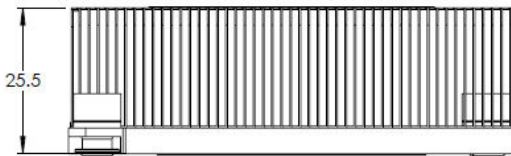
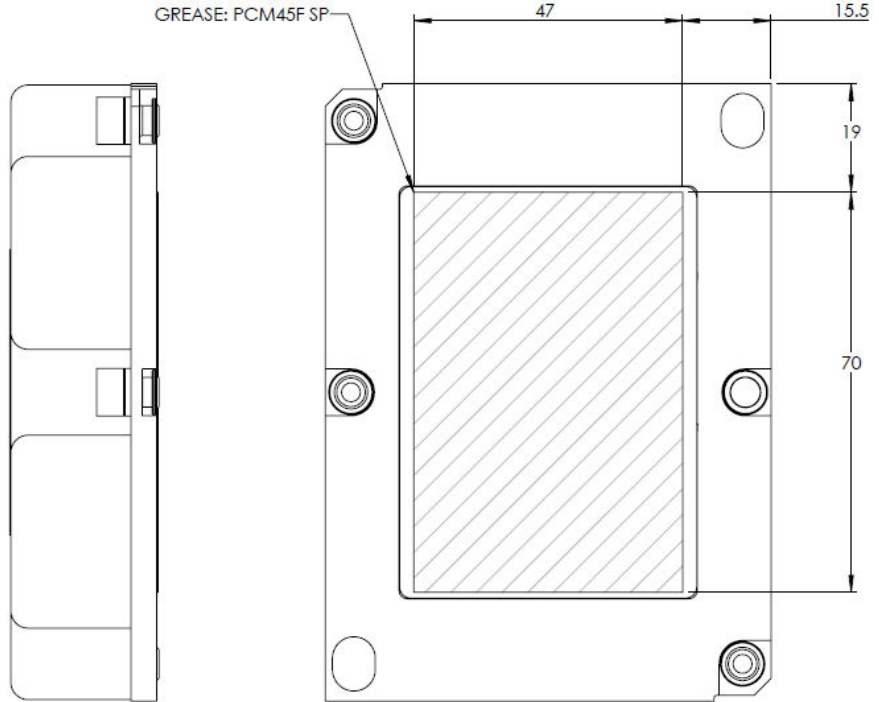


Heat Sinks for Intel® Xeon® processor

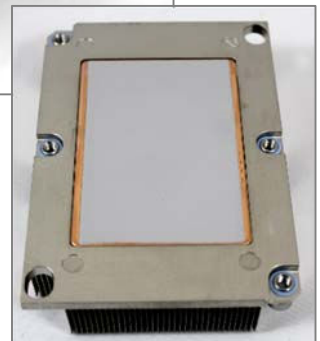
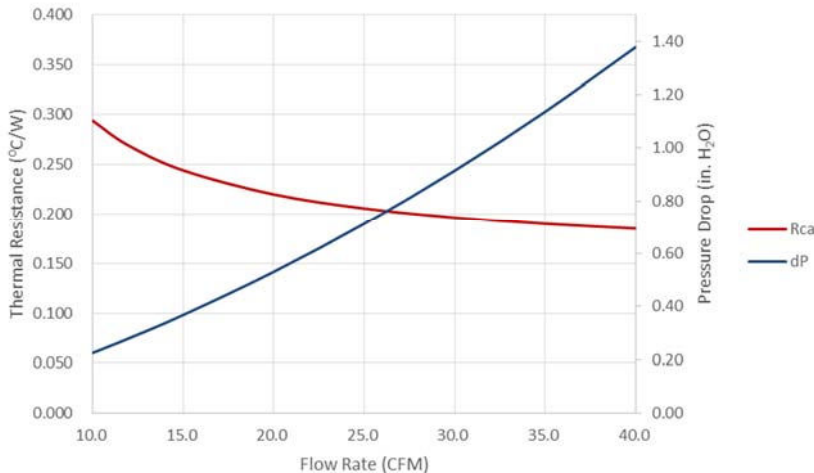
Part Number: 647061



GREASE: PCM45F SP

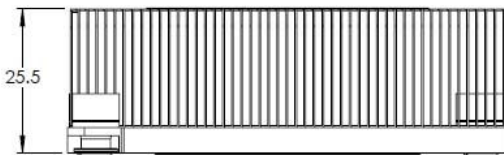
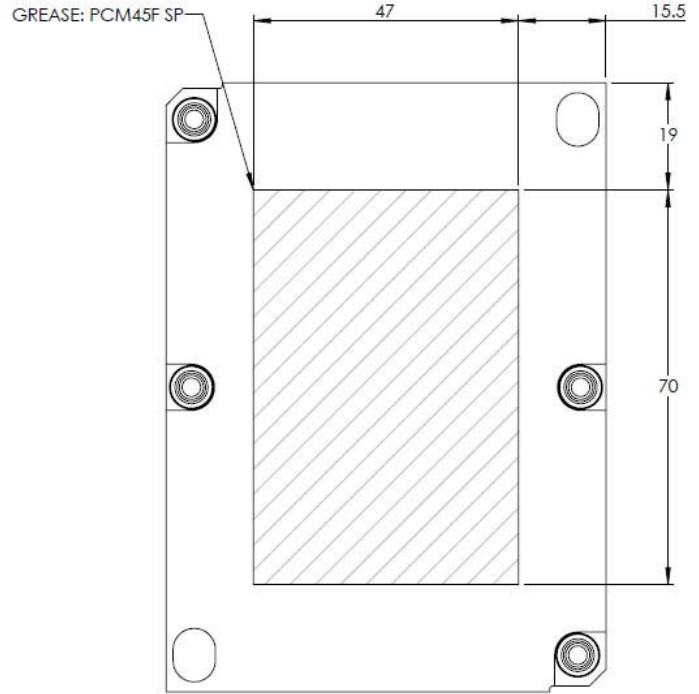
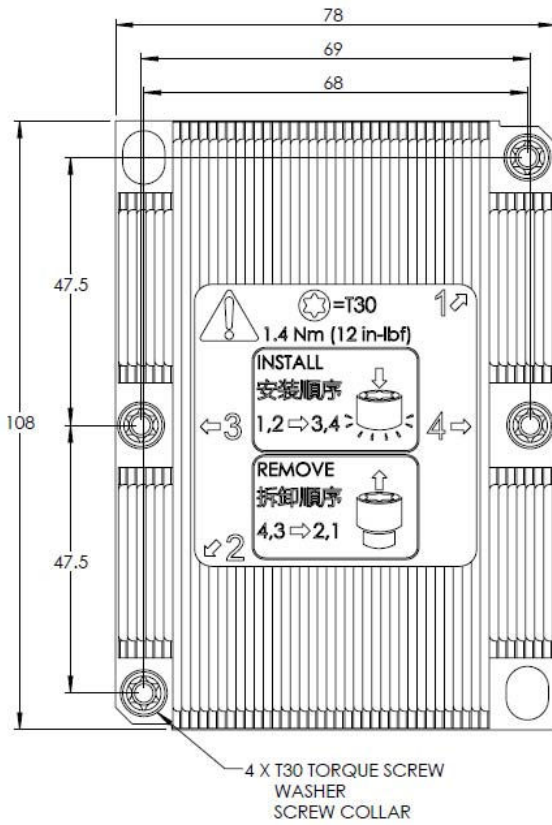


Performance of CPU Heat Sink 647061

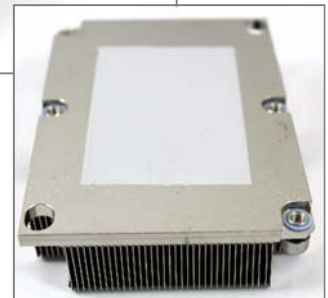
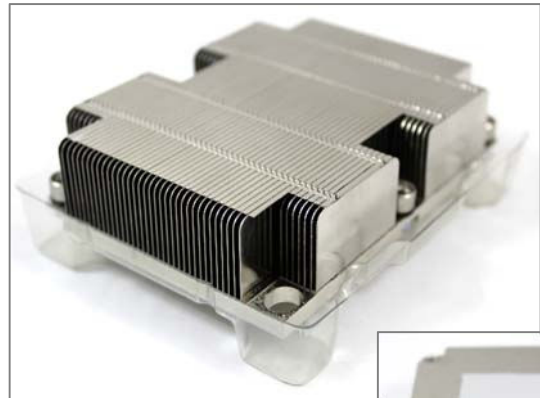
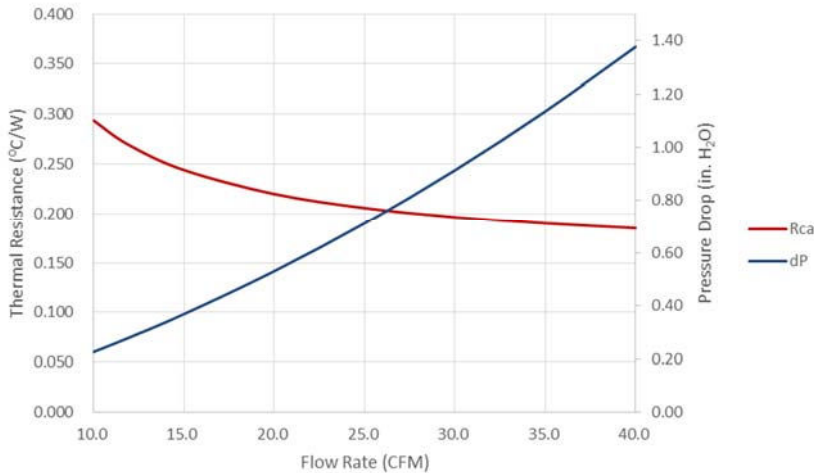


Heat Sinks for Intel® Xeon® processor

Part Number: 647062

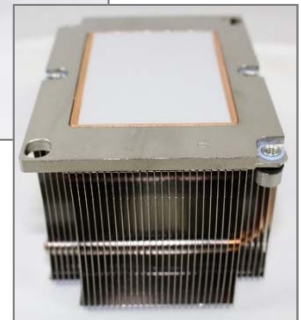
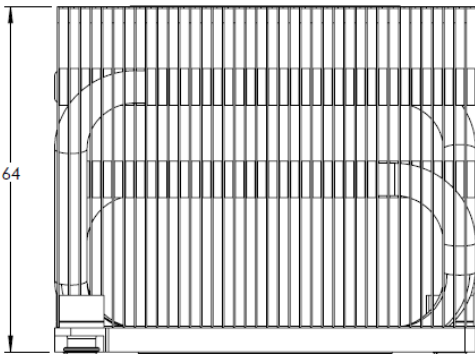
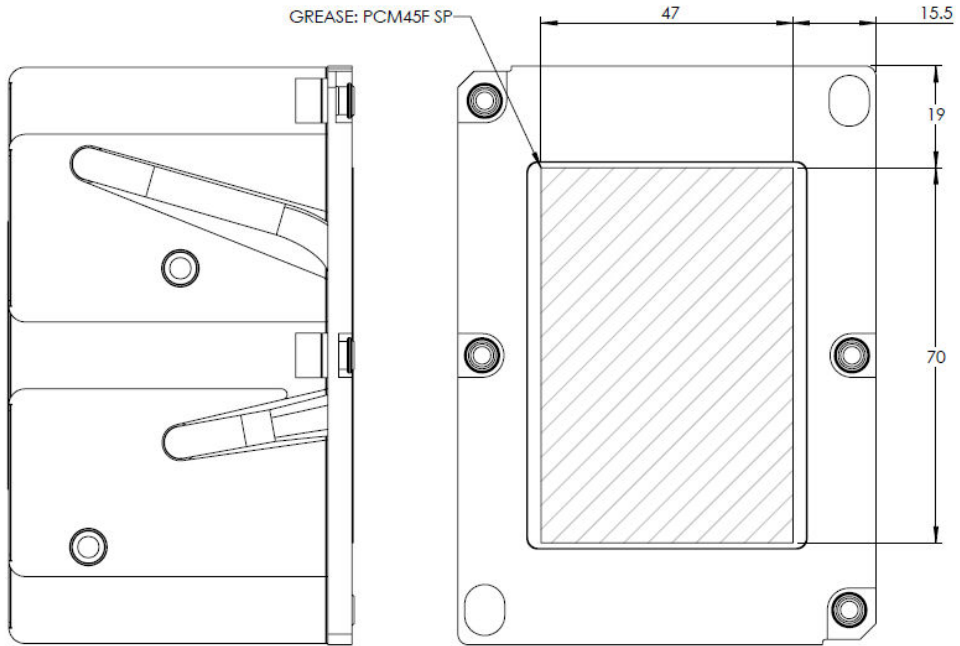
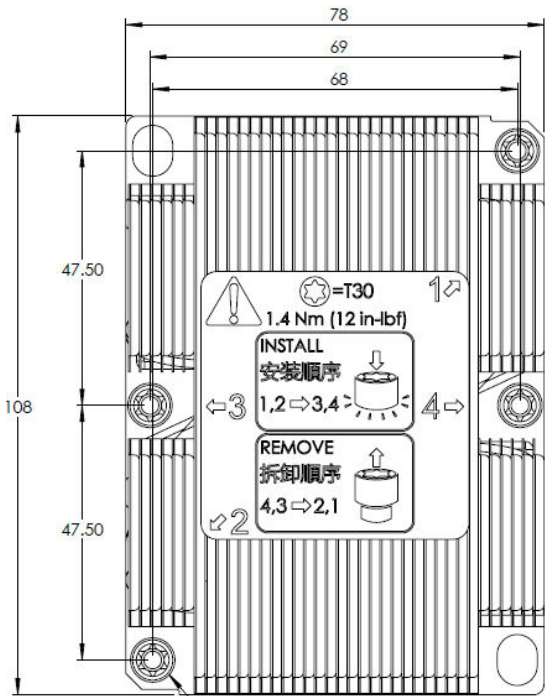


Performance of CPU Heat Sink 647062

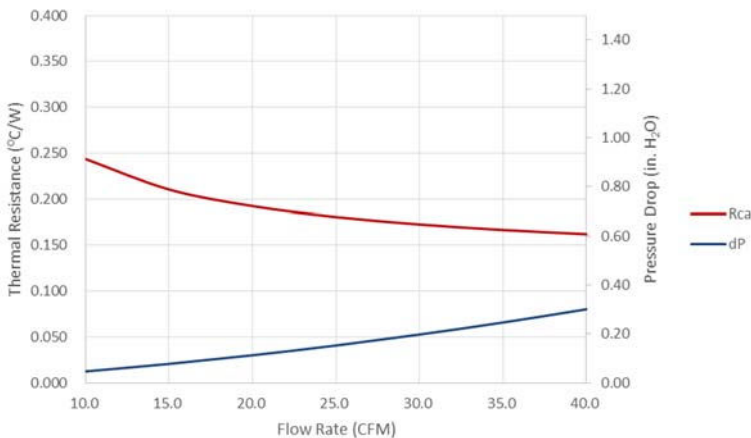


Heat Sinks for Intel® Xeon® processor

Part Number: 647064



Performance of CPU Heat Sink 647064



Aavid reserves the right to make changes to products or information contained herein without noticed. For additional information, please contact Aavid directly.

*Intel and Xeon are trademarks of Intel Corporation or its subsidiaries in the U.S. and/or other countries.