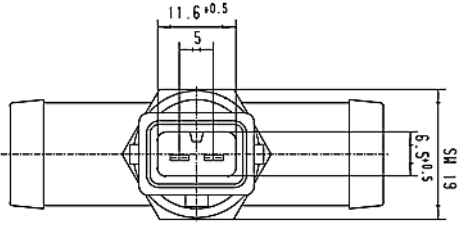
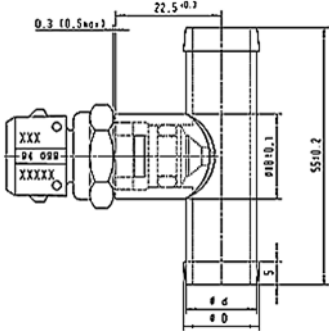


Temperature sensor

94099

NTC sensor



Connector		Dimensions									
											
		<table border="1"> <tr> <td>12^{-0.15}</td> <td>13^{+0.1}_{-0.1}</td> </tr> <tr> <td>19^{-0.15}</td> <td>20^{+0.2}_{-0.1}</td> </tr> <tr> <td>15^{-0.15}</td> <td>16^{+0.15}_{-0.1}</td> </tr> <tr> <td>Ø d</td> <td>Ø D</td> </tr> </table>		12 ^{-0.15}	13 ^{+0.1} _{-0.1}	19 ^{-0.15}	20 ^{+0.2} _{-0.1}	15 ^{-0.15}	16 ^{+0.15} _{-0.1}	Ø d	Ø D
12 ^{-0.15}	13 ^{+0.1} _{-0.1}										
19 ^{-0.15}	20 ^{+0.2} _{-0.1}										
15 ^{-0.15}	16 ^{+0.15} _{-0.1}										
Ø d	Ø D										
Media	Liquid media e.g. water, oil	Connector	AMP Junior Power Timer, 2-pole								
Nominal resistance	2251 Ohm ± 2 % (25 °C), 153 Ohm ± 1,5 % (100 °C)	Protection range	IP 69								
Temperature range	- 40 °C to + 130 °C	Order number	Diameter 12 mm 9409900012								
Time of response	T90 ≤ 15 s (water)	Order number	Diameter 15 mm 9409900015								
Hose diameter	12 mm, 15 mm, 19 mm	Order number	Diameter 19 mm 9409900019								