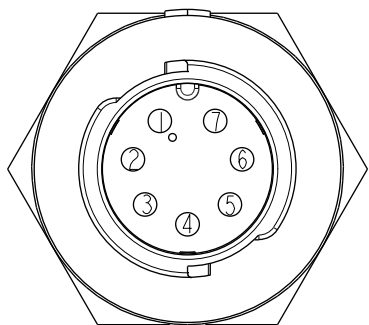
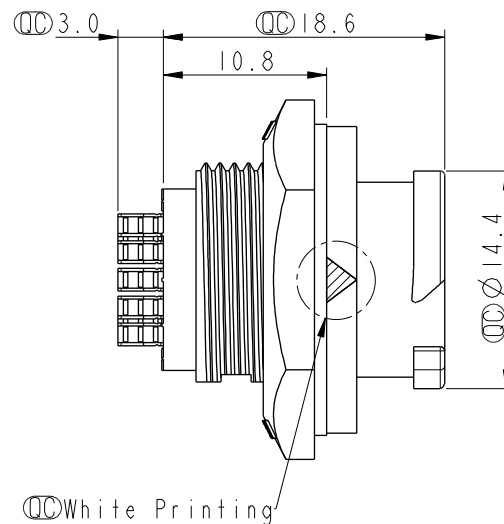
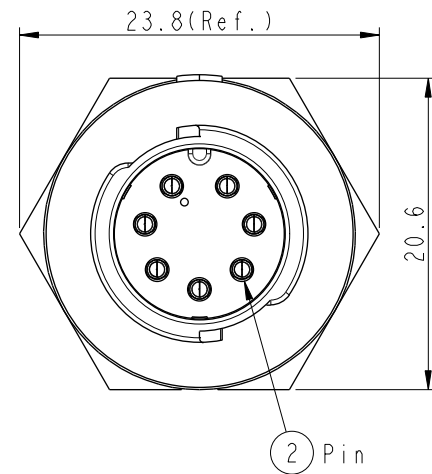
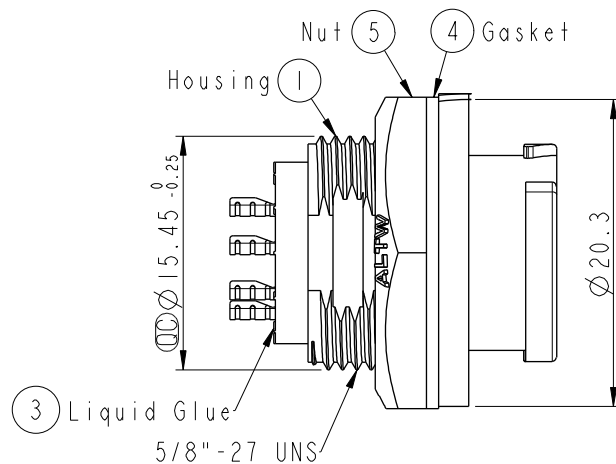
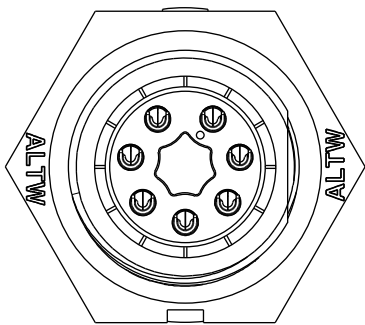
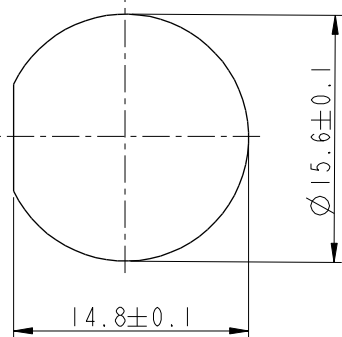


ALTW
 CONFIDENTIAL
 2019-03-19
 R&D DEPT.

REV.	ECN NO.	DATE	SIGN	DESCRIPTION
B	LEN1770139	2017/07/08	Frank Deng	Change Color of Gasket
C	CI90411	2019/03/19	Vicky	Change Note



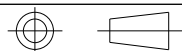
Pin Assignments
 Front View



Recommended Panel Cut-out

- Note:
- * CC Important Dimension To Check.
 - * Waterproof Rate: IP68, Unmated. In 1 meter water within 24 hours
 - * Housing: Thermoplastic, Black.
 - * Pin: Copper Alloy, Gold Plated.
 - * Nut: Thermoplastic, Black.
 - * Gasket: Rubber, Gray.
 - * Panel Thickness Max: 4.5mm
 - * Gasket and Nut are packed separately in PE bags.

UNIT:mm
 TOLERANCE
 X ±0.25



TITLE X Lok B-Size Receptacle M Conn M 7 Pin			
SCALE 2:1	SIZE A4	SHEET 1 OF 1	
REV. C	WC-REV. A.3	CC: Inspection item	

Amphenol LTW
 安費諾亮泰企業股份有限公司

ITEM NO BD-07RMMS-OC8001	DRAWN BY Vicky	DATE 2019-03-19
DWG NO BD-07RMMS-OC8001	CHECKED BY Rita	DATE 2019-03-19
CUSTOMER ALTW	APPROVED BY Max	DATE 2019-03-19

THIS DOCUMENT IS SUBJECT TO CHANGE WITHOUT NOTICE. IT IS CONFIDENTIAL AND A PROPERTY OF Amphenol LTW. DISCLOSURE TO THIRD PARTY HAS TO BE AUTHORIZED BY Amphenol LTW.