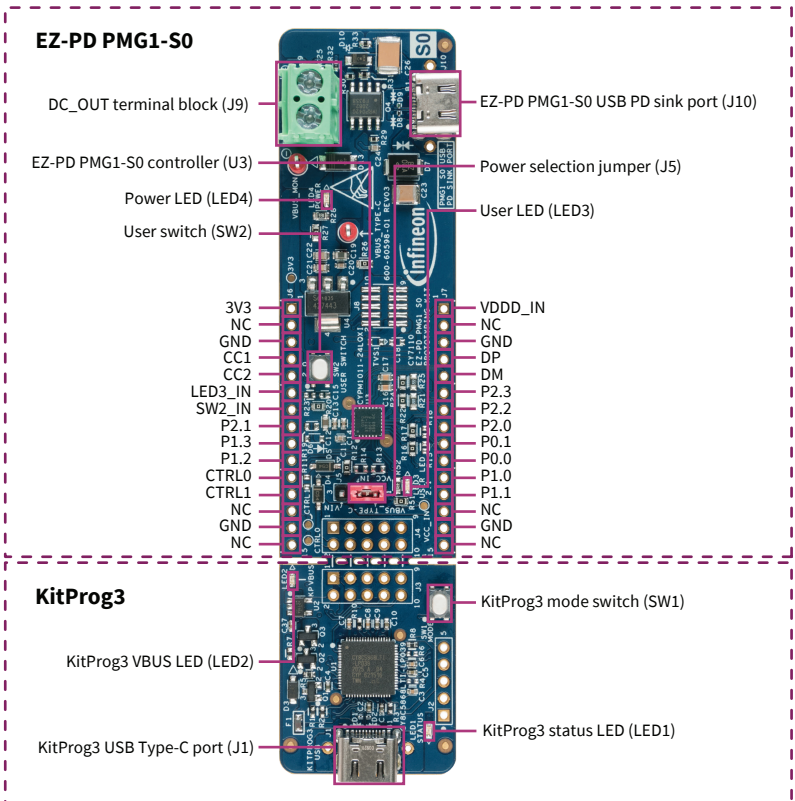


Quick start guide

CY7110 EZ-PD™ PMG1-S0 prototyping kit

The CY7110 EZ-PD PMG1-S0 prototyping kit is a development platform to design products which can be powered from a high-voltage USB PD port, and also need a microcontroller to implement different applications. This platform is compliant with the USB PD 3.0 protocol and can support up to 100 W (20 V, 5 A) of power consumption.



Before you start

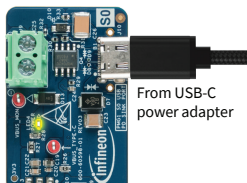
- › Ensure that you have a USB PD 3.0-compliant USB-C power adapter (e.g., Apple 30 W USB-C power adapter) with a compatible USB PD 3.0-compliant Type-C cable.
- › Download and unzip the CY7110 release package from the CY7110 web page (cyprus.com/CY7110).
- › Ensure that the jumper shunt on power selection jumper (J5) is placed at position 1-2 to select the USB-C power adapter as the power source for the CY7110 board.



CY7110 kit contents

Step 1: Hardware connection

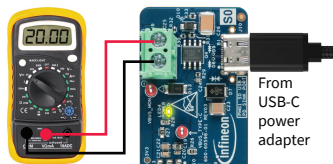
- › Connect the USB PD sink port (J10) of the CY7110 board to the USB-C power adapter using the USB Type-C cable.
- › Confirm that the power LED (LED4) glows green and the user LED (LED3) blinks green. Now, the kit is ready for use.



Powering the CY7110 board

Step 2: Evaluating the USB PD sink functionality

- › Measure the DC_OUT voltage by connecting a multimeter to the terminal block (J9). Confirm that the DC_OUT voltage value is within the 4.75 V-21.00 V range. The actual value is determined by the maximum voltage which the USB-C power adapter can supply.
- › Remove the multimeter and connect an external load to the terminal block (J9).



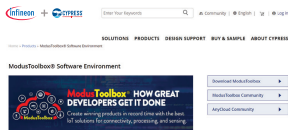
USB PD sink setup



The maximum current that can be consumed by an external load cannot exceed 5 A.

Step 3: Next steps

- › See the CY7110 kit user guide (available as part of the CY7110 kit release package) to learn more about the features supported in the CY7110 hardware and how to develop applications using ModusToolbox.



Application development using ModusToolbox

www.infineon.com

Published by
Infineon Technologies AG
81726 Munich, Germany

© 2021 Infineon Technologies AG.
All Rights Reserved.



Please note!

THIS DOCUMENT IS FOR INFORMATION PURPOSES ONLY AND ANY INFORMATION GIVEN HEREIN SHALL IN NO EVENT BE REGARDED AS A WARRANTY, GUARANTEE OR DESCRIPTION OF ANY FUNCTIONALITY, CONDITIONS AND/OR QUALITY OF OUR PRODUCTS OR ANY SUITABILITY FOR A PARTICULAR PURPOSE. WITH REGARD TO THE TECHNICAL SPECIFICATIONS OF OUR PRODUCTS, WE KINDLY ASK YOU TO REFER TO THE RELEVANT PRODUCT DATA SHEETS PROVIDED BY US. OUR CUSTOMERS AND THEIR TECHNICAL DEPARTMENTS ARE REQUIRED TO EVALUATE THE SUITABILITY OF OUR PRODUCTS FOR THE INTENDED APPLICATION.

WE RESERVE THE RIGHT TO CHANGE THIS DOCUMENT AND/OR THE INFORMATION GIVEN HEREIN AT ANY TIME.

Additional information

For further information on technologies, our products, the application of our products, delivery terms and conditions and/or prices, please contact your nearest Infineon Technologies office (www.infineon.com).

Warnings

Due to technical requirements, our products may contain dangerous substances. For information on the types in question, please contact your nearest Infineon Technologies office.

Except as otherwise explicitly approved by us in a written document signed by authorized representatives of Infineon Technologies, our products may not be used in any life-endangering applications, including but not limited to medical, nuclear, military, life-critical or any other applications where a failure of the product or any consequences of the use thereof can result in personal injury.