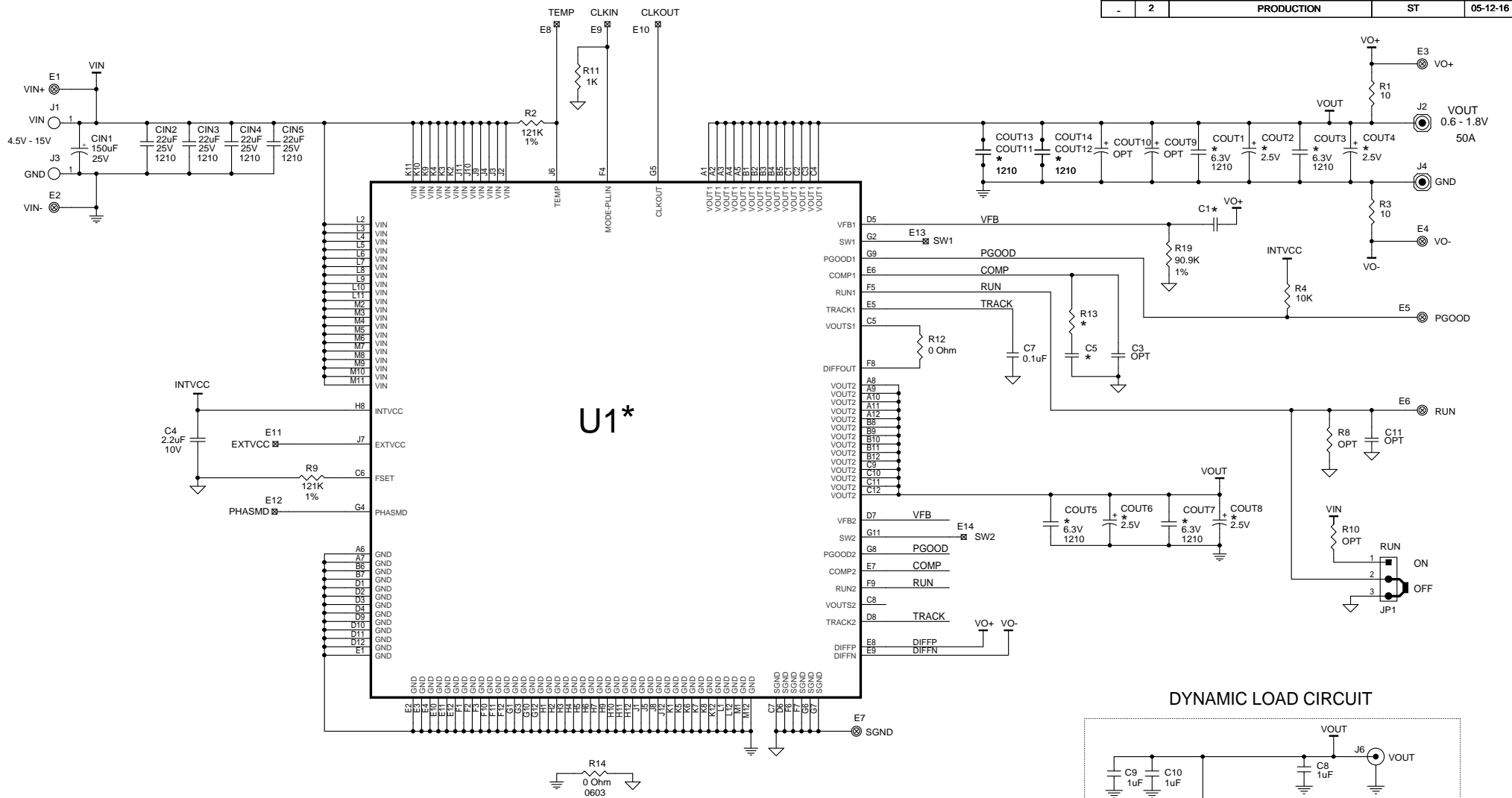
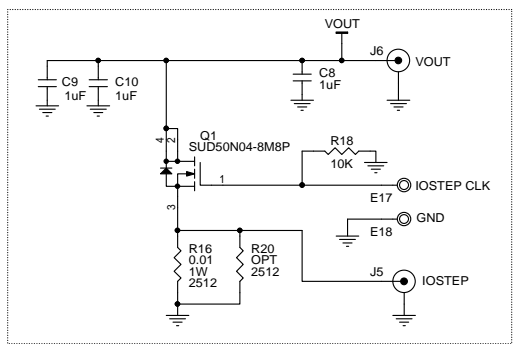


REVISION HISTORY				
ECO	REV	DESCRIPTION	APPROVED	DATE
-	2	PRODUCTION	ST	05-12-16



DYNAMIC LOAD CIRCUIT



ASSY	U1	C1	C5	R13	COUT2,4,6,8	COUT1,3,5,7	COUT11,13	COUT12,14
-A	LTM4650EY	OPT	OPT	OPT	470uF	100uF	100uF	100uF
-B	LTM4650EY-1	220pF	4.7nF	2.55K	OPT	330uF	OPT	330uF

NOTE: UNLESS OTHERWISE SPECIFIED  
 1. ALL RESISTORS AND CAPACITORS ARE 0603.

**CUSTOMER NOTICE**  
 LINEAR TECHNOLOGY HAS MADE A BEST EFFORT TO DESIGN A CIRCUIT THAT MEETS CUSTOMER-SUPPLIED SPECIFICATIONS; HOWEVER, IT REMAINS THE CUSTOMER'S RESPONSIBILITY TO VERIFY PROPER AND RELIABLE OPERATION IN THE ACTUAL APPLICATION. COMPONENT SUBSTITUTION AND PRINTED CIRCUIT BOARD LAYOUT MAY SIGNIFICANTLY AFFECT CIRCUIT PERFORMANCE OR RELIABILITY. CONTACT LINEAR TECHNOLOGY APPLICATIONS ENGINEERING FOR ASSISTANCE.

**APPROVALS**

PCB DES.	LT
APP ENG.	ST
SCALE = NONE	

THIS CIRCUIT IS PROPRIETARY TO LINEAR TECHNOLOGY AND SUPPLIED FOR USE WITH LINEAR TECHNOLOGY PARTS.

1630 McCarthy Blvd.  
 Milpitas, CA 95035 www.linear.com  
 Phone: (408)432-1900  
 Fax: (408)434-0507  
 LTC CONFIDENTIAL - FOR CUSTOMER USE ONLY

**LINEAR TECHNOLOGY**

TITLE: SCHEMATIC  
 HIGH EFFICIENCY, DUAL PHASE, SINGLE OUTPUT  
 STEP-DOWN POWER  $\mu$ MODULE REGULATOR

SIZE	IC NO.	REV.
N/A	LTM4650EY / LTM4650EY-1 DEMO CIRCUIT DC2479A(A/B)	2
DATE:	Thursday, May 12, 2016	SHEET 1 OF 1