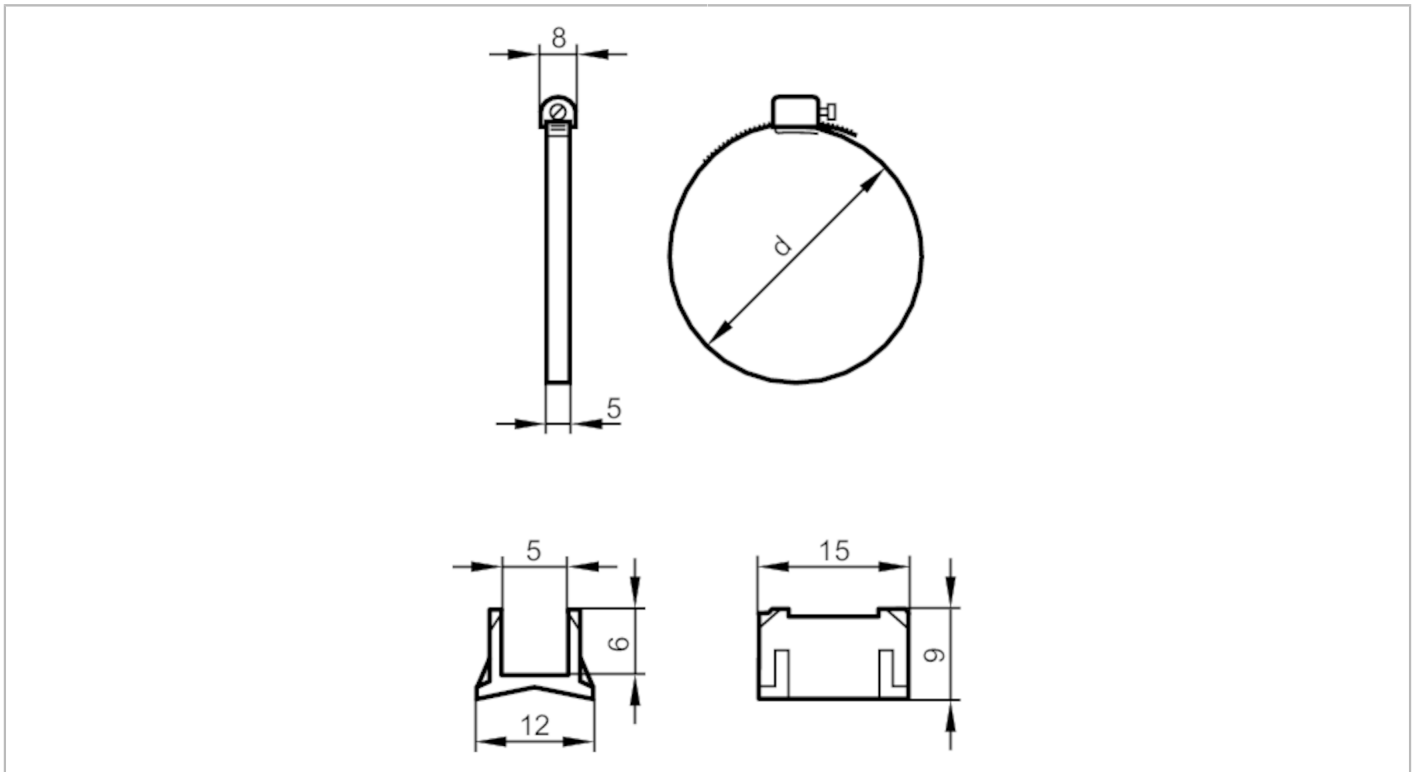


E11820



Fixing strap for clean-line cylinders

FIXING STRAP CLEAN-LINE CYL



Application

Design

for types MKT

Mechanical data

Weight

[g]

7.7

Dimensions

[mm]

Ø 50

Materials

Adapter: PA; fixing strap: stainless steel (1.4305 / 303)

Piston diameter

[mm]

50

Clamping range

[mm]

48...59

Accessories

Items supplied

Adapter: 1x, for types, MKT

Fixing strap for clean-line cylinders: 1x

Remarks

Pack quantity

1 pcs.