



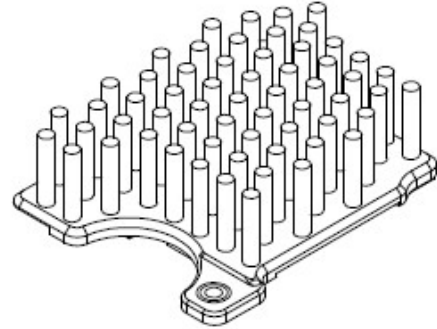
# Model : MBA4436-12P

## BGA Heat Sink Specification

For 44x36 Chip set



- 1. Material : Al 6063
- 2. Dimension :
  - Foot print : 44x36mm
  - Height : 12 mm
  - Base (thickness) : 1.6mm
- 3. Finish: Black Anodize
- 4. Accessory :
  - Clip : Plastic (UL94-V0)



## Performance

Heat Source (LxW)	44x36
-------------------	-------

