

DIMENSION

Dim A	NX5.00+1.40
Dim B	(N-1)X5.00

N=Number of contacts

Poles	Tolerance
1p-6p	±0.10
7p-12p	±0.20
13p-18p	±0.30
19p-24p	±0.40

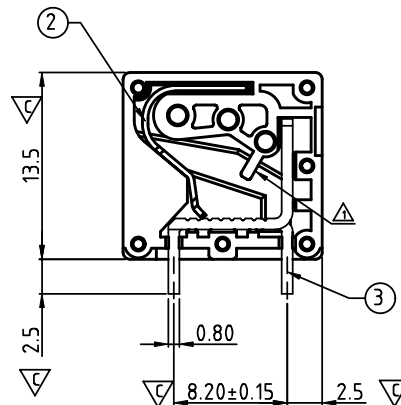
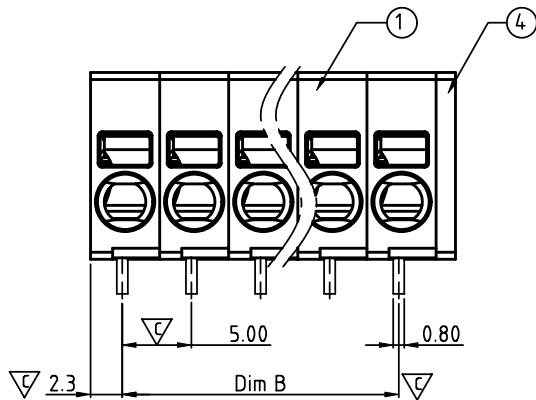
SIGN	DATE	DESCRIPTION	APPROVER
△	04/05'13	change the structure & update the drawing	Da cheng
△	10/17'13	Add is cULus	Da cheng
△			
△			
△			
△			

THIS IS CAD DRAWING, DO NOT REVISE MANUALLY!!!

Material:

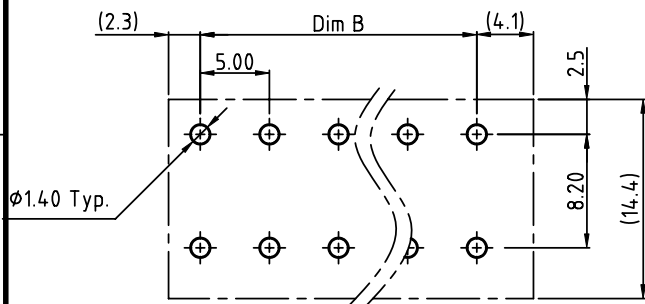
- Item 1 Terminal housing : Thermoplastic (UL 94V-0)
- Item 2 Spring clamp: Stainless steel
- Item 3 Solder pin : Brass ,Tin plated
- Item 4 Terminal cover : Thermoplastic (UL 94V-0)

- △ Electrical: cULus
- Voltage rating: 300 V
 - Current rating(Sol): 13A
 - Current rating(Str): 16 A
 - Wire range:
 - Solid wire(AWG): 14-24
 - Stranded wire(AWG): 12-24
 - Wire strip length: 9-10mm
 - Withstanding Voltage: 1.6KV
 - Operating temperature: -40°C to +115°C
 - Soldering temperature: 260°C±5°C/5 Sec
 - △ Safety Approval: cULus
 - Critical dimension: ▽



NJ xx 01 x 0 xxxx G

- | | | |
|----------------|---------------------|--|
| No. of poles | △ Color | △ RoHs compliant (lead<4%) In copper Alloy |
| 01 1 CONTACTS | 0 Black (RAL9005) | 0000:"@ "Logo (Standard) |
| 02 2 CONTACTS | 2 Red (RAL3001/D) | 000A:"ANYTEK" Logo |
| 03 3 CONTACTS | 3 Orange(RAL2011/P) | Any special item by customer request, please contact sales department. |
| | 4 Yellow(RAL1018/A) | |
| | 5 Green(RAL6018/T) | |
| 24 24 CONTACTS | 6 Blue (RAL5015/A) | |
| | 8 Grey(RAL7004/P) | |
| | 9 White(RAL1102) | |
| | C Multiple colors | |



△ P.C.B. LAYOUT
Top view

ANYTEK				CUSTOMER COPY			
ALL RIGHTS RESERVED. REPRODUCTION OR ISSUE TO THRD PARTIES IN ANY FORM WHATEVER IS NOT PERMITTED WITHOUT WRITTEN AUTHORITY FROM THE PROPRIETOR. PROPERTY OF ANYTEK TECHNOLOGY CO., LTD							
TITLE	NJ- 5.0 Series 1P-24P Horizontal (180D wire inlet)						
PART NO.	NJxx01x0xxxxG			DWG NO.	8NJ0101		
APPROVED	CHECKED	DESIGNED	DRAWN	CUST NO.	Tolerance		
		Dacheng 2013.10.21	Dacheng 2013.10.21		X. ±0.50		
					X.X ±0.30		
					X.XX ±0.10		
					X° ±1°		
				SHEET: 01/01	UNIT: mm	SCALE: NONE	
					REV.: D		