



Main

Range of Product	Telemecanique Photoelectric sensors XU
Series name	Application assembly
Electronic sensor type	Photo-electric sensor
Sensor name	XUY
Sensor design	Miniature
Detection system	Diffuse
Material	Plastic
Type of output signal	Discrete
Supply circuit type	DC
Wiring Technique	3-wire
Discrete output type	PNP
Discrete output function	1 NO or 1 NC programmable
Electrical connection	1 male connector M8, 4 pins
Product Specific Application	Setting up of sensors Colour mark reader Monitoring of small parts on production machine
Emission	Red LED, pulsed - class 2 IEC 825-1
[Sn] nominal sensing distance	0.13...0.49 ft (0.04...0.15 m)

Complementary

Enclosure Material	ABS
Pulse frequency	5 kHz
Spot diameter	<= 0.03 in (0.7 mm)
Output Type	Solid state
Status LED	Supply on/dirty 1 LED green) Output state 1 LED yellow)
[Us] rated supply voltage	12...24 V DC reverse polarity protection
Supply voltage limits	10...30 V DC
Switching capacity in mA	100 mA overload and short-circuit protection)
Switching frequency	<= 1 kHz
Maximum voltage drop	<2.4 V closed state)
Current consumption	< 25 mA no-load
Maximum delay response	3 µs
Setting-up	Using teach button or remote teaching
Net Weight	0.12 lb(US) (0.056 kg)

Environment

Product Certifications	CE cULus
Ambient Air Temperature for Operation	-4...140 °F (-20...60 °C)
Ambient Air Temperature for Storage	-4...176 °F (-20...80 °C)
Immunity to ambient light	5000 lux
Vibration resistance	7 gn +/- 1.5 mm 10...55 Hz) IEC 60068-2-6
Shock resistance	30 gn 11 ms) IEC 60068-2-27
IP degree of protection	IP67 IEC 60529

The information provided in this documentation contains general descriptions and/or technical characteristics of the performance of the products contained herein. This documentation is not intended as a substitute for and is not to be used for determining suitability or reliability of these products for specific user applications. It is the duty of any such user or integrator to perform the appropriate and complete risk analysis, evaluation and testing of the products with respect to the relevant specific application or use thereof. Neither Schneider Electric Industries SAS nor any of its affiliates or subsidiaries shall be responsible or liable for misuse of the information contained herein.

Ordering and shipping details

Category	22481-SENSORS, PHOTOELECTRIC
Discount Schedule	DS2
GTIN	3389119009843
Nbr. of units in pkg.	1
Package weight(Lbs)	0.71 oz (20.0 g)
Returnability	No
Country of origin	DE

Packing Units

Unit Type of Package 1	PCE
Package 1 Height	1.10 in (2.8 cm)
Package 1 width	3.54 in (9 cm)
Package 1 Length	2.44 in (6.2 cm)
Unit Type of Package 2	S01
Number of Units in Package 2	10
Package 2 Weight	15.06 oz (427.0 g)
Package 2 Height	5.91 in (15 cm)
Package 2 width	5.91 in (15 cm)
Package 2 Length	15.75 in (40 cm)

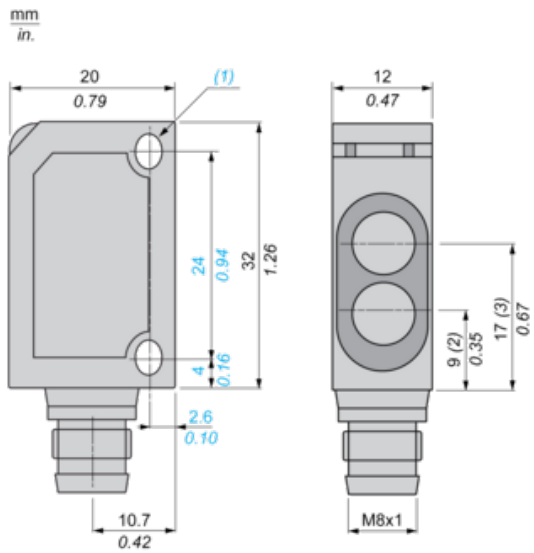
Offer Sustainability

California proposition 65	WARNING: This product can expose you to chemicals including: Diisononyl phthalate (DINP), which is known to the State of California to cause cancer, and Di-isodecyl phthalate (DIDP), which is known to the State of California to cause birth defects or other reproductive harm. For more information go to www.P65Warnings.ca.gov
REACH Regulation	REACH Declaration
EU RoHS Directive	Pro-active compliance (Product out of EU RoHS legal scope) EU RoHS Declaration
Mercury free	Yes
RoHS exemption information	Yes

Contractual warranty

Warranty	18 months
----------	-----------

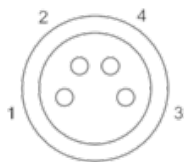
Dimensions



- (1) 2 elongated holes \varnothing 3.2 x 4.2
- (2) Transmitter optical axis
- (3) Receiver optical axis

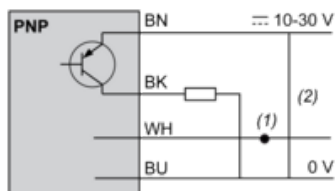
Wiring Schemes

M8 Connector



- 1 : Brown
- 2 : White
- 3 : Blue
- 4 : Black

PNP Output



(1) - Connected to +: external teaching, - Connected to -: locking of functions

(2) Output 100 mA max.