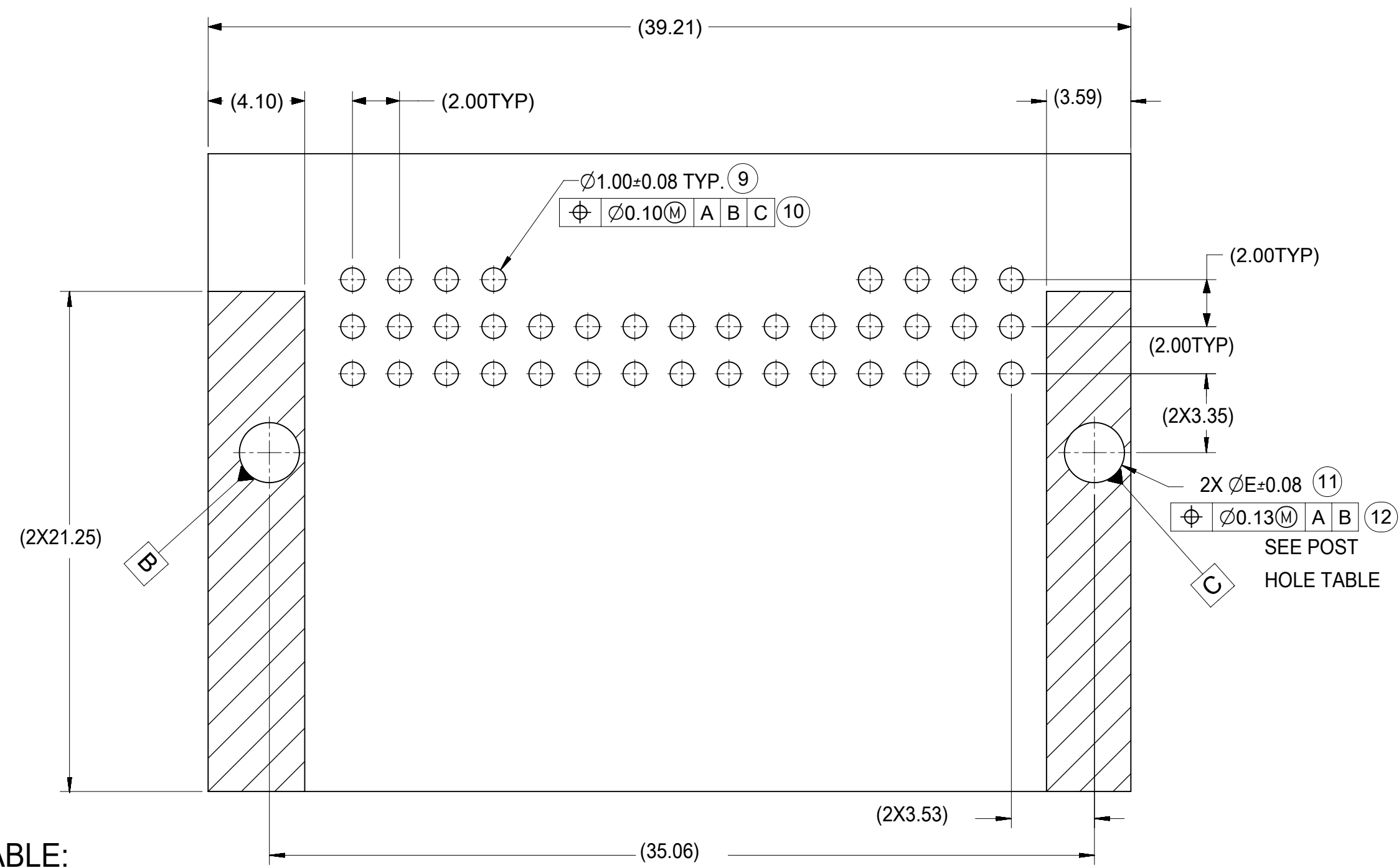


REFERENCE 34WAY PCB LAYOUT



(A6) REFERENCE 38WAY PCB LAYOUT

POST HOLE TABLE:
FOR DIM E:

PRESS FIT:	2.15
DROP IN:	2.55

SYMBOLS	THIS DRAWING CONTAINS INFORMATION THAT IS PROPRIETARY TO MOLEX ELECTRONIC TECHNOLOGIES, LLC AND SHOULD NOT BE USED WITHOUT WRITTEN PERMISSION		CURRENT REV DESC:				
	DIMENSION UNITS	SCALE					
▽ = 0	mm	1:1	GENERAL TOLERANCES (UNLESS SPECIFIED)		CHK'D: CDZHANG	2019/03/08	34 & 38 CKT MINI50 RIGHT ANGLE HEADER ASSEMBLY SALES DRAWING
▽ = 0	ANGULAR TOL ± 1.0°		4 PLACES ±		APPR: CDZHANG	2019/03/08	
▽ = 0	3 PLACES ±		2 PLACES ± 0.13		INITIAL REVISION:		PRODUCT CUSTOMER DRAWING
▽ = 0	2 PLACES ±		1 PLACE ± 0.25		DRWN: JFISCHER01	2015/12/10	DOCUMENT NUMBER
▽ = 0	0 PLACES ±		DRAFT WHERE APPLICABLE MUST REMAIN WITHIN DIMENSIONS		APPR: RBAUMAN	2015/12/14	DOC TYPE
⊗ = 0	THIRD ANGLE PROJECTION	DRAWING	SERIES	MATERIAL NUMBER	CUSTOMER	SHEET NUMBER	REVISION
⊗ = 0		D-SIZE	34961	SD-34961-130	GENERAL MARKET	2 OF 2	PSD 001 A7