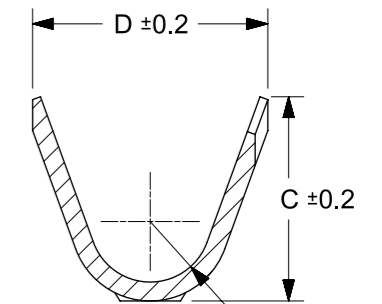


SECTION Z-Z



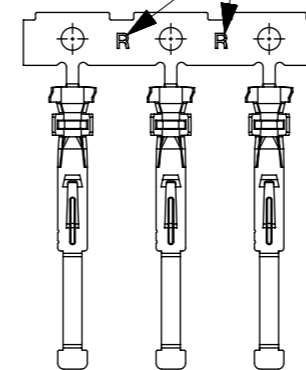
SECTION Y-Y

(0.25)
SHEET THICKNESS

Rx ± 0.10

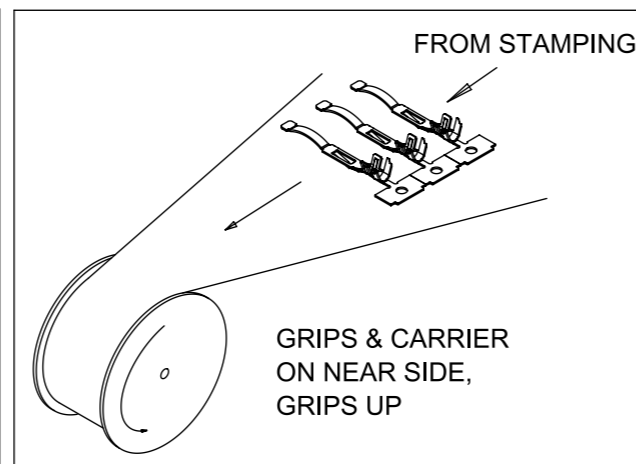
Ry ± 0.10

SEE NOTE 8



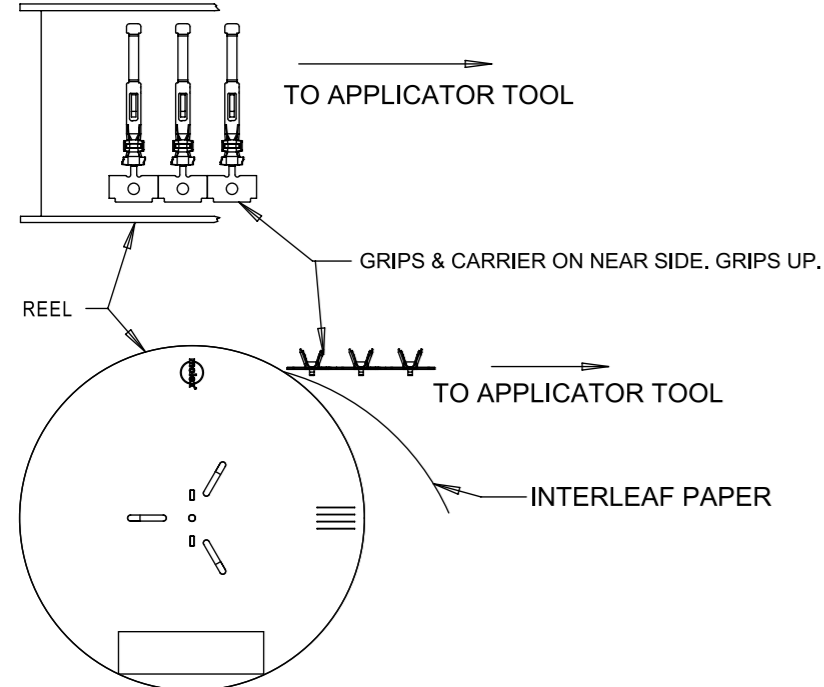
NOTES:

1. MATERIAL: HIGH COPPER
2. PLATING: TIN OVER NICKEL OVERALL
3. PRODUCT SPECIFICATION: PS-36876-001
4. PACKAGING SPECIFICATION: PK-36876-001
5. MATES WITH: IDENTICAL TERMINAL (SERIES 36876)
6. USED WITH: GENDERLESS CRIMP HOUSING SERIES 36877
7. COSMETIC SPECIFICATION: PS-45499-002 CLASS B
8. "R" MARKING ON CARRIER STRIP IS FOR INTERNAL REFERENCE ONLY.



GRIPS & CARRIER
ON NEAR SIDE,
GRIPS UP

DIRECTION D
LEFT PAYOFF WITH
PAPER INTERLEAF
(LEFT TO RIGHT)



TO APPLICATOR TOOL

GRIPS & CARRIER ON NEAR SIDE. GRIPS UP.

TO APPLICATOR TOOL

INTERLEAF PAPER

PART NO.	AWG	A	B	Rx	C	D	Ry
368760001	20-22	2.50	2.70	0.60	2.70	3.10	0.80
368760002	24-26	2.35	2.70	0.25	2.20	2.40	0.70

THIS DRAWING CONTAINS INFORMATION THAT IS PROPRIETARY TO MOLEX ELECTRONIC TECHNOLOGIES, LLC AND SHOULD NOT BE USED WITHOUT WRITTEN PERMISSION

EC NO: 105248 DRWN: VLM CHK'D: KPRASAD APPR: KPRASAD	2016/02/26	GENERAL TOLERANCES (UNLESS SPECIFIED)		DIMENSION UNITS	SCALE	
	2016/05/27	ANGULAR TOL ± 0.5 °		mm	10:1	
	2016/05/27	4 PLACES ±		DRWN BY	DATE	
		3 PLACES ±		NCSR	2013/10/28	
		2 PLACES ± 0.13		CHK'D BY	DATE	
	1 PLACE ± 0.25		APPR BY	DATE		
	0 PLACES ±		KPRASAD	2013/10/29		
	DRAFT WHERE APPLICABLE MUST REMAIN WITHIN DIMENSIONS		DRAWING SIZE	THIRD ANGLE PROJECTION		
			A3			
PRODUCT CUSTOMER DRAWING		SERIES	MATERIAL NUMBER	CUSTOMER		
		36876	SEE TABLE	GENERAL MARKET		
RELEASE STATUS		P1	RELEASE DATE	2016/05/27	03:55:16	
DOCUMENT NUMBER		DOC TYPE		DOC PART	SHEET NUMBER	
SD-36876-001		PSD		000	1 OF 1	