

MATERIALS AND FINISHES:

HOUSING: ZINC ALLOY / PLATED SEE TABLE

CENTER CONTACT: BRASS / PLATED GOLD

INSULATOR: TEFLON

OUTER CONTACT: BERYLLIUM COPPER / PLATED SEE TABLE

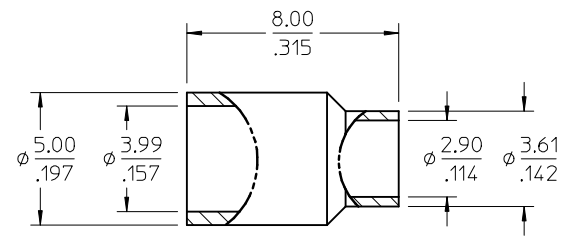
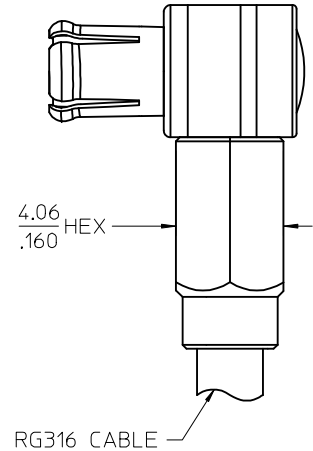
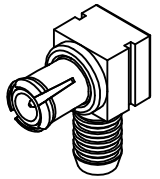
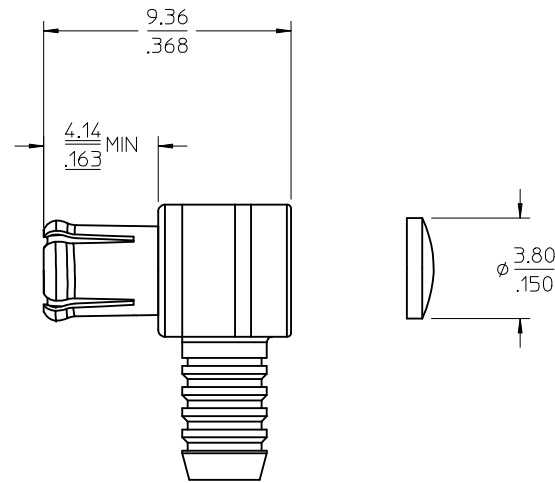
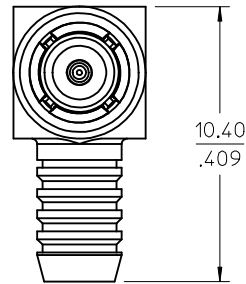
FERRULE: BRASS / PLATED SEE TABLE

CAP: STAINLESS STEEL (FOR 73366-0010/-0019)  
PASSIVATED

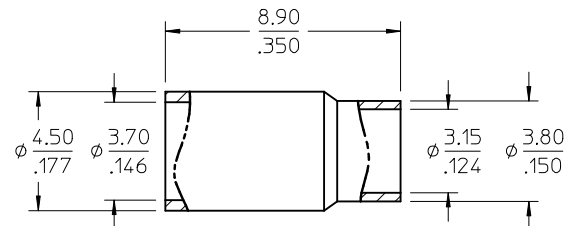
CAP: BRASS (FOR 73366-0011/-0012/-0017/-6350)  
PLATED GOLD

NOTE:

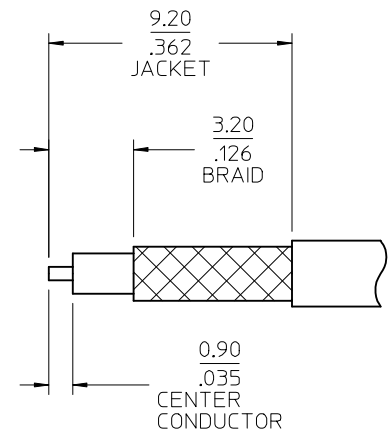
73366-0011'S FERRULE FOR GENERAL CUSTOMERS  
73366-0012'S FERRULE FOR CHEN CHUN REQUEST



GENERAL CUSTOMERS



CHEN CHUN REQUEST



RECOMMENDED CABLE STRIP

73366-6350	GOLD PLATING, BAG PACK	GOLD 30μ-in	GOLD 30μ-in
73366-0019	NICKEL PLATING, BAG PACK	NICKEL 100μ-in	GOLD 10μ-in
73366-0018	BAG, 73366-0010 W/O FERRULE	GOLD 5μ-in	GOLD 10μ-in
73366-0017	GOLD PLATING, BAG PACK	GOLD 5μ-in	GOLD 10μ-in
73366-0016	73366-0012, SMALL TRAY	GOLD 5μ-in	GOLD 10μ-in
73366-0015	73366-0011, SMALL TRAY	GOLD 5μ-in	GOLD 10μ-in
73366-0014	73366-0010, SMALL TRAY	GOLD 5μ-in	GOLD 10μ-in
73366-0013	1 PIECE 73366-0010 PER BAG	GOLD 5μ-in	GOLD 10μ-in
73366-0012	GOLD PLATING, BAG PACK	GOLD 5μ-in	GOLD 10μ-in
73366-0011	GOLD PLATING, BAG PACK	GOLD 5μ-in	GOLD 10μ-in
73366-0010	NICKEL PLATING, BAG PACK	GOLD 5μ-in	GOLD 10μ-in
PART NO.	BODY PLATING & PACKAGING	OUTER CONTACT	CENTER CONTACT

PS-89675-1830	PRODUCT SPECIFICATION
SPECIFICATION	DESCRIPTION

CHG: PACKAGE  
BAG WAS BULK  
PER RF17-E049  
EC NO: URF2017-0333  
DRWINELIN 2017/03/16  
CHKD:  
APPR: YCHENG 2017/03/23

QUALITY SYMBOLS  
▽=0  
▽=0

GENERAL TOLERANCES (UNLESS SPECIFIED)  
mm INCH  
4 PLACES ± --- ± ---  
3 PLACES ± --- ± ---  
2 PLACES ± --- ± ---  
1 PLACE ± --- ± ---  
ANGULAR ± 2°  
DRAFT WHERE APPLICABLE  
MUST REMAIN  
WITHIN DIMENSIONS

DIMENSION STYLE  
MM/IN  
DRAWN BY DATE  
IRIS WANG 1997/05/13  
CHECKED BY DATE  
BEER 2003/02/21  
APPROVED BY DATE  
JWIENER 2010/06/01  
MATERIAL NO.  
SEE TABLE  
SIZE  
C THIS DRAWING CONTAINS INFORMATION THAT IS PROPRIETARY TO MOLEX INCORPORATED AND SHOULD NOT BE USED WITHOUT WRITTEN PERMISSION

SCALE  
DESIGN UNITS  
METRIC  
THIRD ANGLE PROJECTION  
TITLE  
MCX PLUG R/A RG316  
50 OHMS  
MCX-PC/RA  
MOLEX INCORPORATED  
DOCUMENT NO.  
SD-73366-001  
SHEET NO.  
1 OF 1