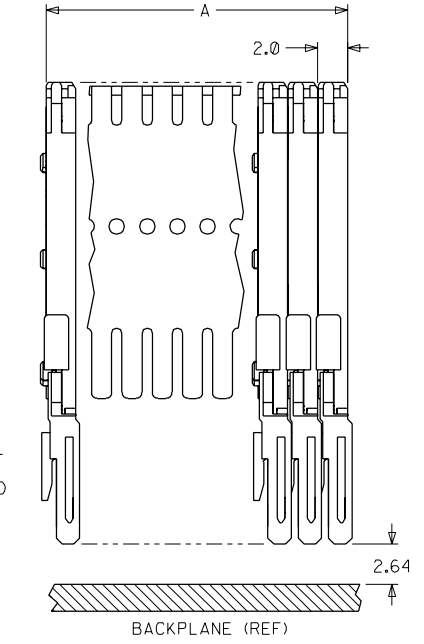
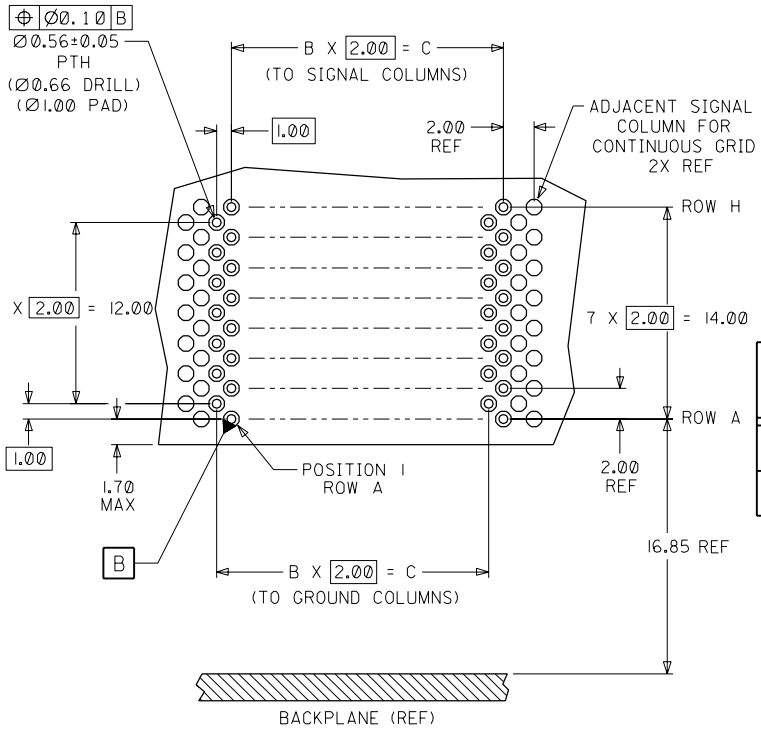
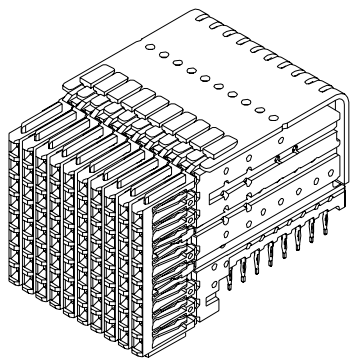
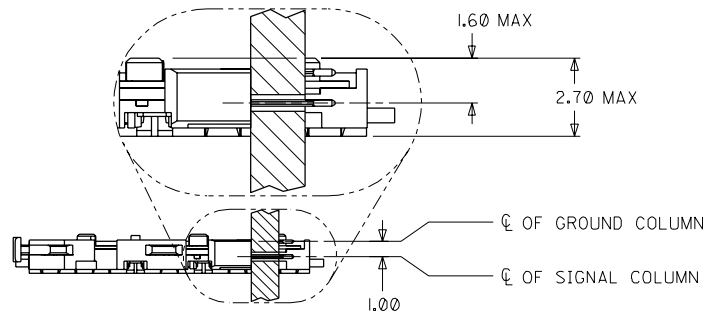


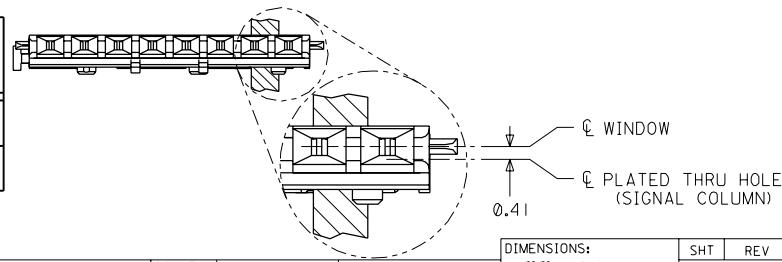
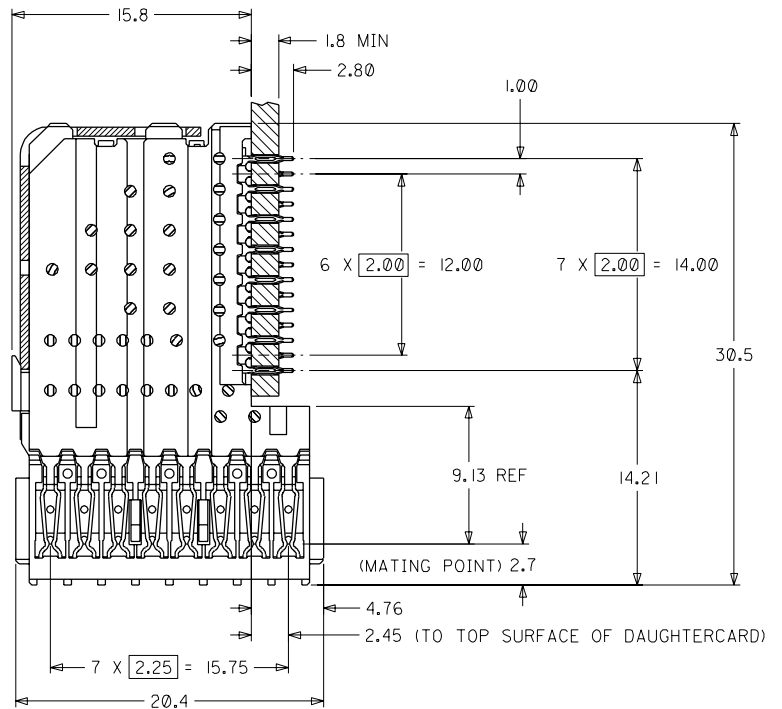
NOTES: (UNLESS OTHERWISE SPECIFIED)

1. MATERIALS: HOUSING - LIQUID CRYSTAL POLYMER (LCP), GLASS-FILLED, UL94V-0. TERMINALS - HIGH PERFORMANCE COPPER ALLOY.
2. FINISH: SELECTIVE GOLD (Au) IN CONTACT AREA, SELECTIVE TIN/LEAD (Sn/Pb) ON PCB TAILS NICKEL (Ni) OVERALL.
3. REFER TO MOLEX PRODUCT SPECIFICATION PS-74031-999 FOR PERFORMANCE SPECIFICATIONS.
4. SIGNAL WAFERS SUPPLIED ON STAINLESS STEEL STIFFENER IN GROUPS OF 10 OR 25 ONLY.

MATERIAL NUMBER	MINIMUM GOLD PLATING	WAFER PLASTIC COLOR
74041-0001	0.00076mm (30uIN)	BLACK
74041-0051	0.00127mm (50uIN)	GRAY



NUMBER OF SIGNAL WAFERS	A	B	C
10	20.0	9	18.00
25	50.0	24	48.00



DAUGHTERCARD HOLE PATTERN (CONNECTOR SIDE)

ADD -0051 PART EC NO. UDT2001-1132 DRWN: LAURX 01/04/18 CHK: MARTIN 01/04/18 APPR: BIXLER 01/04/18	QUALITY SYMBOLS MAJOR = ① CRITICAL = ②	GENERAL TOLERANCES: (UNLESS SPECIFIED) mm INCH	SCALE 4 : 1 DESIGN UNITS <input checked="" type="checkbox"/> mm <input type="checkbox"/> INCH	DIMENSIONS: <input type="checkbox"/> mm <input type="checkbox"/> INCH <input checked="" type="checkbox"/> mm ONLY	SHT REV REVISE ON CAD ONLY	
		DRAWN BY & DATE LAURX 98/10/19	CHECKED BY & DATE MQWANG 98/10/19	APPROVED BY & DATE BIXLER 98/10/19	TITLE: VHDM DAUGHTERCARD 8 ROW SIGNAL WAFER SALES DRAWING	MOLEX MOLEX INCORPORATED
REV DESCRIPTION	ANGLAR: ± 2°	DRAFT WHERE APPLICABLE MUST REMAIN WITHIN DIMENSIONS	CAD FILENAME S7404102.DGN	MATERIAL NO. SEE CHART	DRAWING NO. SD-74041-002	SIZE C