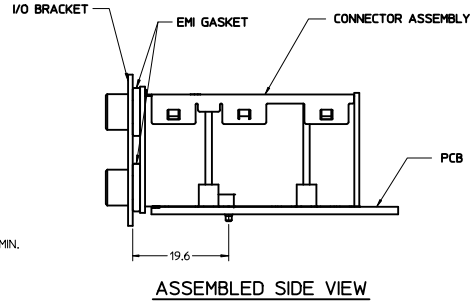
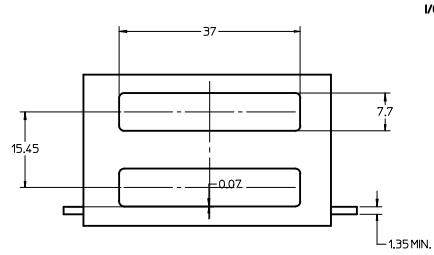
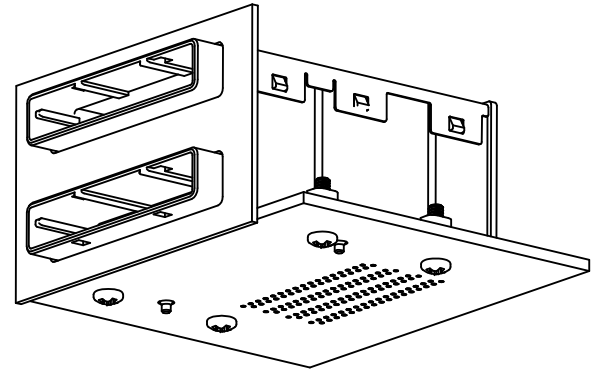
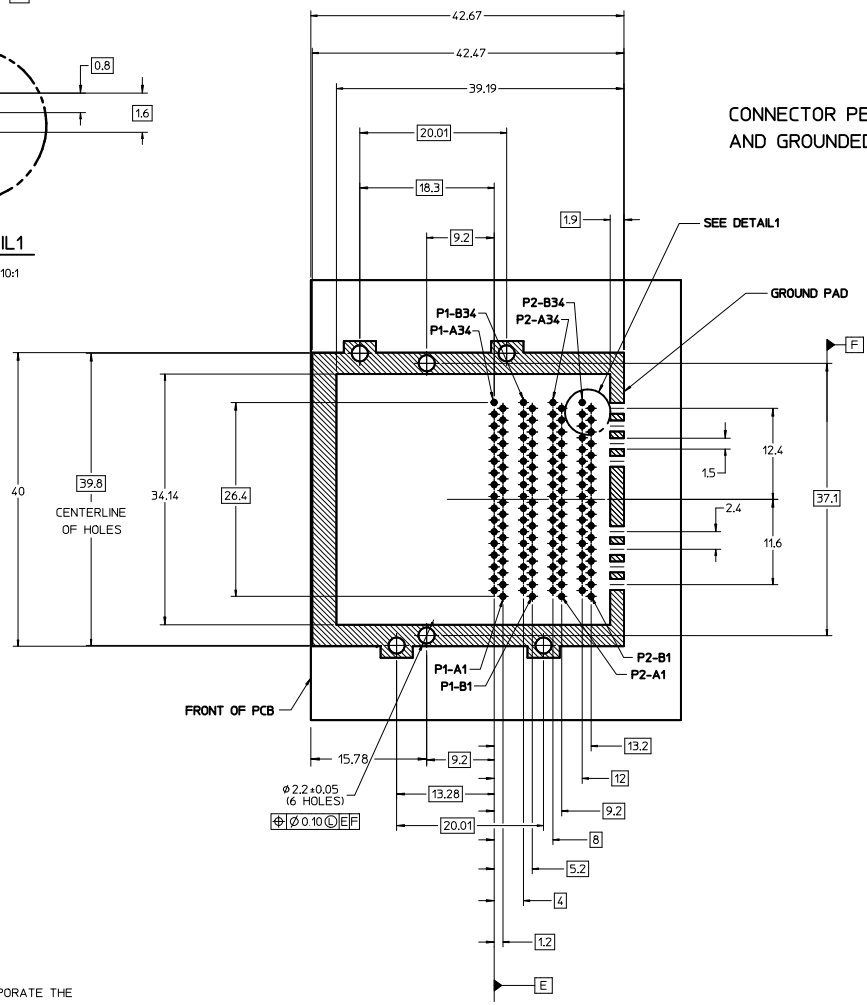
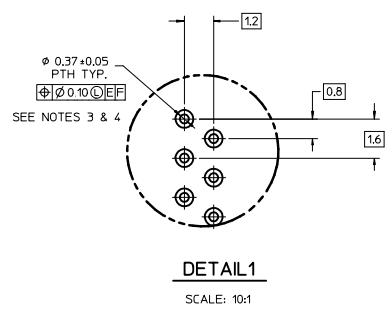


NOTES:

- MATERIAL:
CONNECTOR HOUSING - HIGH TEMPERATURE THERMOPLASTIC
GLASS-FILLED, UL 94V-0,
COLOR: BLACK
EMI HOUSING - DIE CAST ALLOY, NICKEL PLATED FINISH
COVER - STAINLESS STEEL ALLOY
EMI GASKET - CONDUCTIVE POLYMER
- TERMINAL PLATING:
CONTACT AREA - 0.764mm MIN. GOLD OVER 2.544mm MIN. NICKEL.
COMPLIANT TAIL AREA - 0.76-1.524mm TIN/LEAD (90/10) OVER 2.544mm MIN. NICKEL.
TIN: 0.76-1.524mm MIN. MATTE TIN OVER 0.76-1.524mm NICKEL
- PACKAGING SPECIFICATION: TRAY PACK IN CARTON PER PK-75758-9001.
- REFER TO PS-75586-001 PRODUCT SPEC FOR ALL ELECTRICAL, MECHANICAL AND ENVIRONMENTAL SPECIFICATIONS.
- CONNECTOR DESIGNED TO MATE WITH MOLEX CABLE SERIES 74579.
- MOUNTING HARDWARE REQUIRED: M2x8mm CAP SCREWS (4) OR EQUIVALENT, NOT SUPPLIED
MAX. TORQUE .26 N-m/2.3 lbf.-in.

MATERIAL	PLATING
757580303	TIN/LEAD
757580305	TIN

ADDING TIN VERSION EC NO. UCP2011-2783 DRAWN: GONZALEZ01 2011/03/30 CHYD: JANTELZ10 2011/03/30 APPR: MBANK1S 2011/04/14 REV	QUALITY SYMBOLS	GENERAL TOLERANCES (UNLESS SPECIFIED)	DIMENSION STYLE	SCALE	DESIGN UNITS	THIRD ANGLE PROJECTION	
	$\nabla=0$ $\nabla=0$	4 PLACES \pm --- \pm --- 3 PLACES \pm --- \pm --- 2 PLACES \pm 0.25 \pm --- 1 PLACE \pm 0.25 \pm --- ANGULAR \pm 1/2°	MM ONLY DRAWN BY DATE SBOGIEL 11/18/2008 CHECKED BY DATE KLANG 11/18/2008 APPROVED BY DATE MBANK1S 11/19/2008	2:1	METRIC		
	DRAFT WHERE APPLICABLE MUST REMAIN WITHIN DIMENSIONS	SEE CHART	MATERIAL NO. SD-75758-303	MOLEX INCORPORATED DOCUMENT NO. SD-75758-303			SHEET NO. 1 OF 2
	THIS DRAWING CONTAINS INFORMATION THAT IS PROPRIETARY TO MOLEX INCORPORATED AND SHOULD NOT BE USED WITHOUT WRITTEN PERMISSION						



- NOTES:
1. FLAT ROCK TOOLING MUST INCORPORATE THE CONNECTOR PERIMETER DURING SEATING OPERATION.
 2. PLATE GROUND PAD WITH EMERSON SILVER OR GOLD.
 3. RECOMMENDED DRILL SIZE FOR FINISHED 0.37Ø PTH HOLES IS 0.457Ø.
 4. RECOMMENDED ANNULAR RING AROUND FINISHED 0.37Ø PTH HOLES IS 0.73Ø.

RECOMMENDED PCB LAYOUT
PCB THICKNESS = 1.57mm NOMINAL (1.35mm MIN.)

SEE SHEET 1 IEC NO. UCP2011-2783 DRAWN: GONZALEZ01 2011/03/30 CHKD: JANTELZ10 2011/03/30 APPR: MBANKIS 2011/04/14	QUALITY SYMBOLS	GENERAL TOLERANCES (UNLESS SPECIFIED)	DIMENSION STYLE	SCALE	DESIGN UNITS	THIRD ANGLE PROJECTION
	▽=0 ▽=0	mm INCH 4 PLACES ± --- ± --- 3 PLACES ± --- ± --- 2 PLACES ± 0.25 ± --- 1 PLACE ± 0.25 ± --- ANGULAR ± 1/2°	MM ONLY DRAWN BY DATE SBOGIEL 11/18/2008 CHECKED BY DATE KLANG 11/18/2008 APPROVED BY DATE MBANKIS 11/19/2008	2:1	METRIC	ASSEMBLY I-PASS, 8X STACKED STANDARD KEY
	DRAFT WHERE APPLICABLE MUST REMAIN WITHIN DIMENSIONS	SEE SHEET 1	MATERIAL NO. SD-75758-303 DOCUMENT NO.		MOLEX INCORPORATED SHEET NO. 2 OF 2	