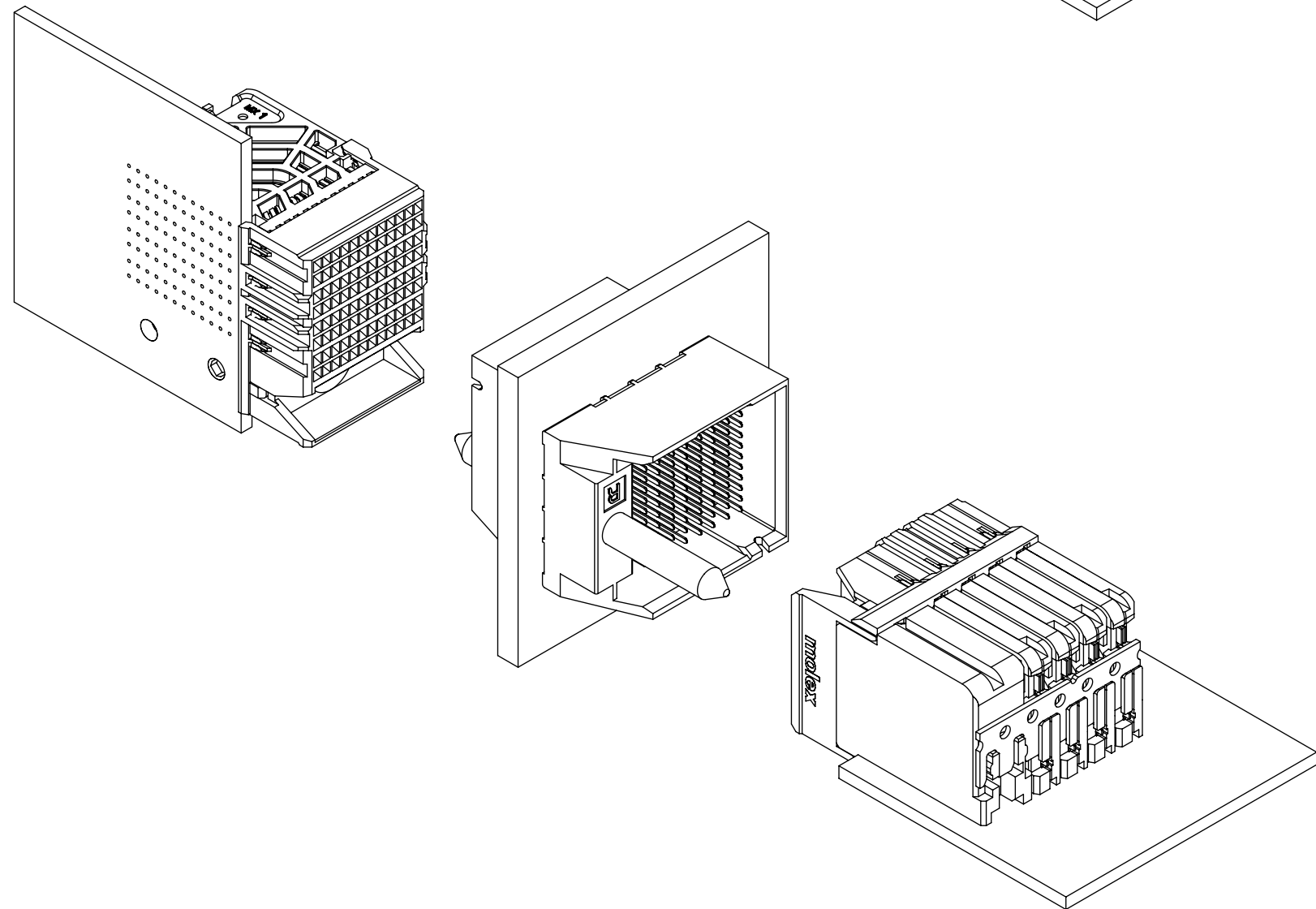
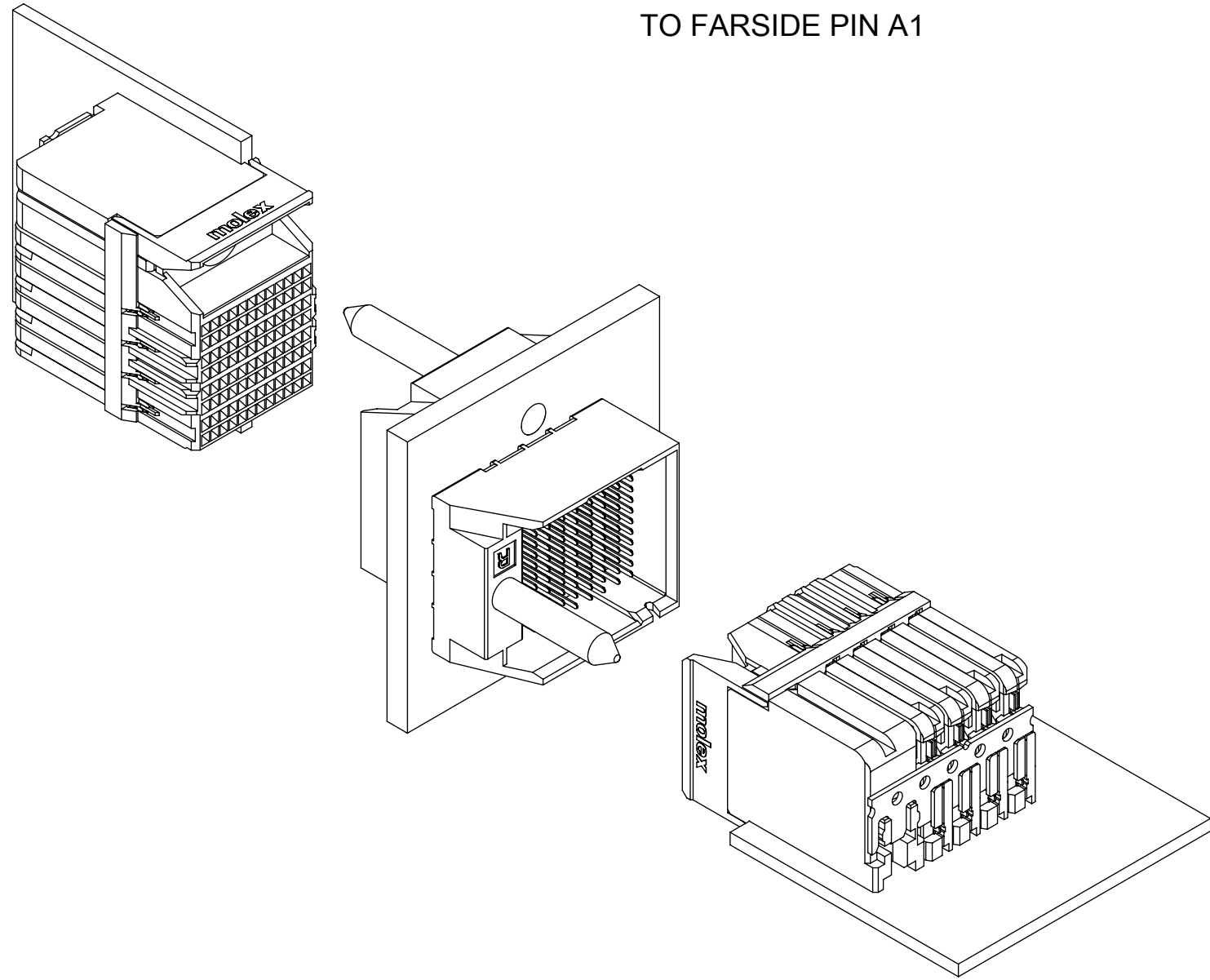


ORTHO OPTION 270

NEARSIDE PIN A1 MAPS
TO FAR SIDE PIN A1



ORTHO OPTION 90

NEARSIDE PIN A1 MAPS
TO FAR SIDE PIN J6
(FOR SQUARE PATTERN)

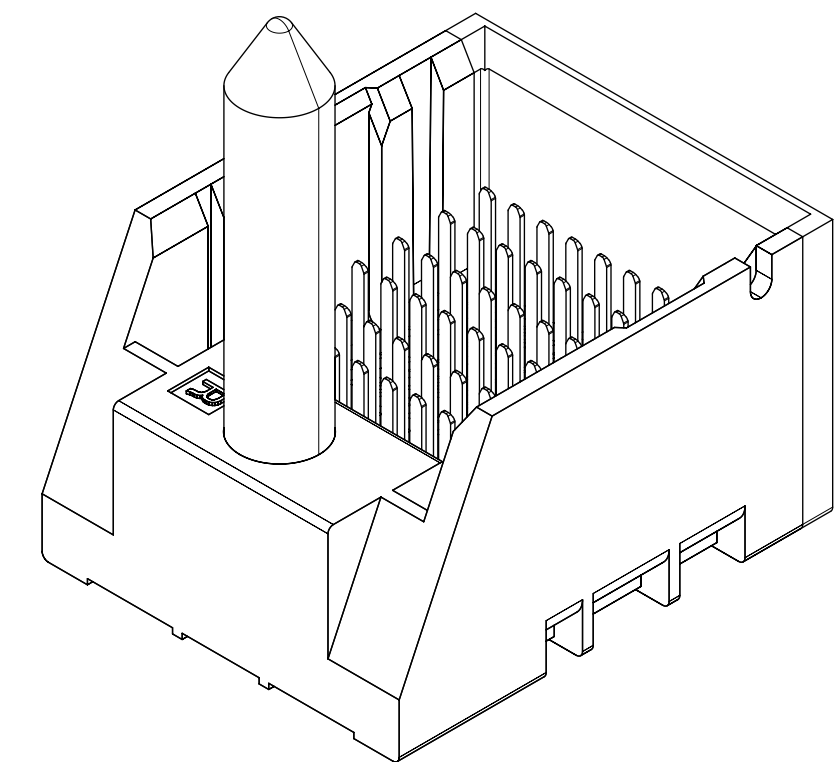
MATERIAL NUMBER	# OF COLUMNS	# OF DIFF PAIR	MODULE TYPE	DIM A	DIM B	DIM C
76855-*60*	6	18	NO ENDWALL	18.9	10.00	10.40
76855-*60*	6	18	WITH ENDWALL	20.3	10.00	10.40
76855-*80*	8	24	NO ENDWALL	22.9	14.05	14.45
76855-*80*	8	24	WITH ENDWALL	24.3	14.05	14.45

76855- * * 0 *

MODULE & TAIL PLATING TYPE
 4 = GUIDE RIGHT NO ENDWALL, TIN/LEAD
 5 = GUIDE RIGHT NO ENDWALL, TIN
 8 = GUIDE RIGHT ENDWALL, TIN/LEAD
 9 = GUIDE RIGHT ENDWALL, TIN

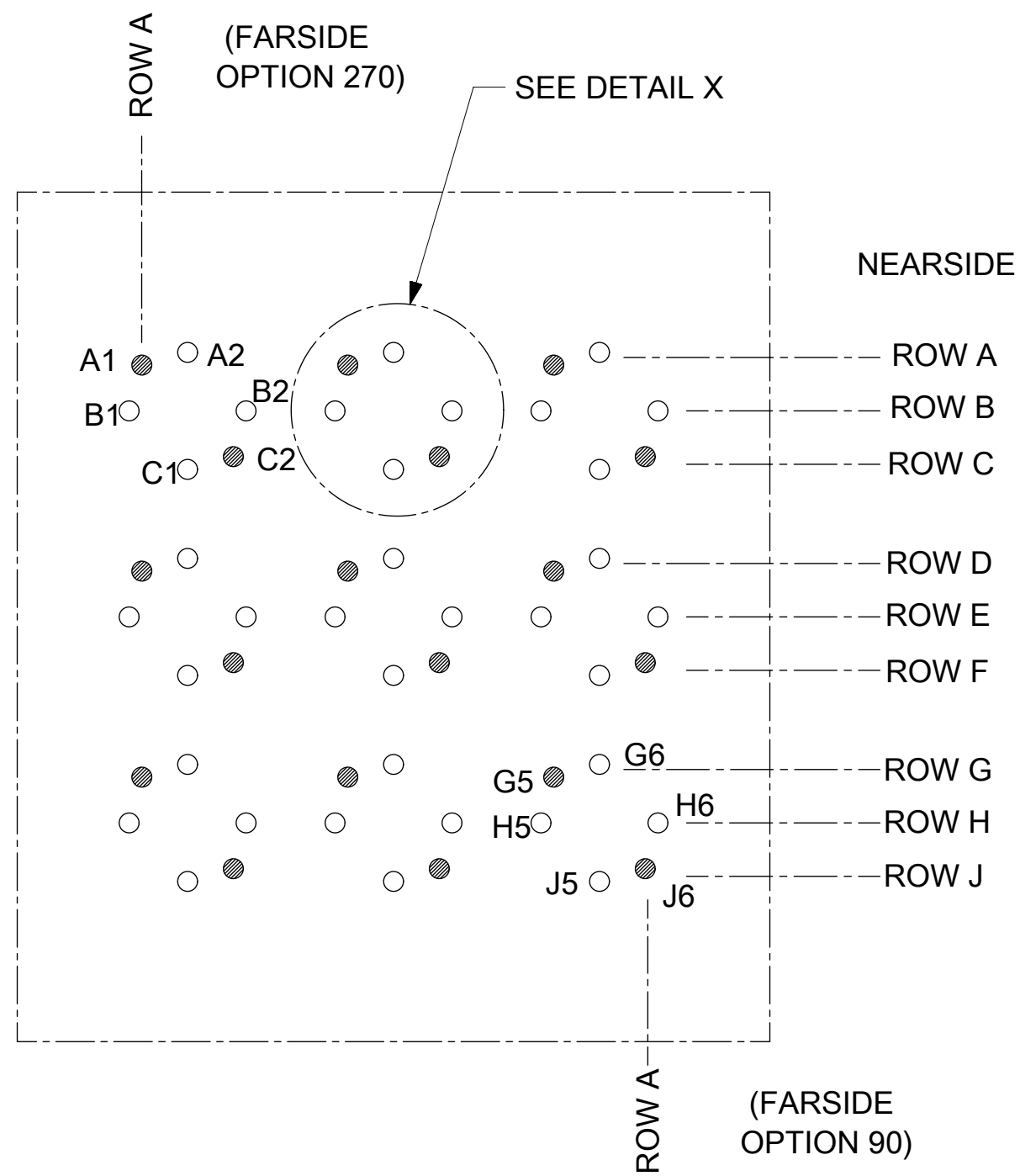
PIN LENGTH (P)
 4 = 4.90 (0.46 PTH)
 5 = 5.50 (0.46 PTH)
 7 = 4.90 (0.39 PTH)
 8 = 5.50 (0.39 PTH)

OF COLUMNS
 6 = 6 COLUMNS
 8 = 8 COLUMNS

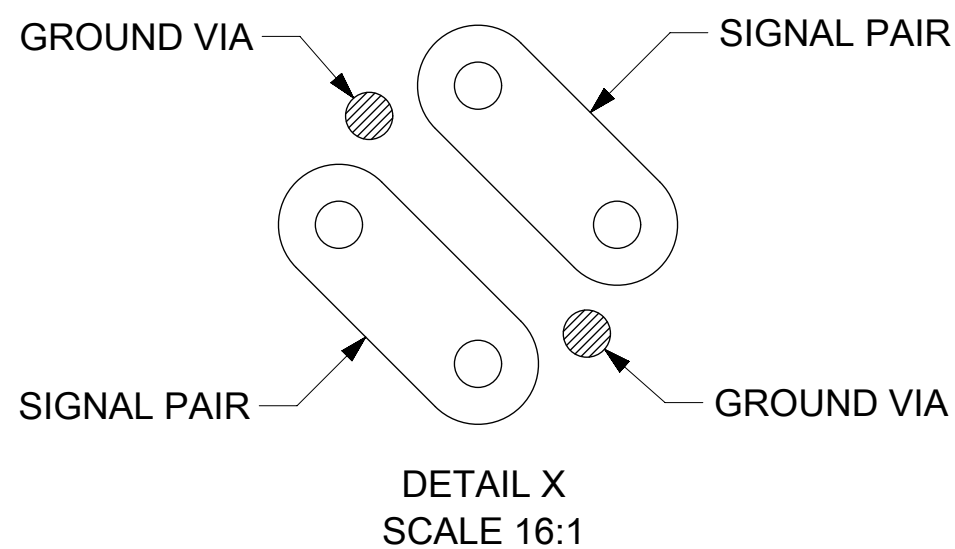


OPEN END WALL

QUALITY SYMBOLS	THIS DRAWING CONTAINS INFORMATION THAT IS PROPRIETARY TO MOLEX ELECTRONIC TECHNOLOGIES, LLC AND SHOULD NOT BE USED WITHOUT WRITTEN PERMISSION										
▽ = 0	EC NO: 123283 DRWN: ABN CHKD: ABN APPR: PRAMASWAMY MIGRATED TO NX 2017/10/17 2017/10/17 2017/10/18	GENERAL TOLERANCES (UNLESS SPECIFIED)		DIMENSION UNITS	SCALE						
▽ = 0		ANGULAR TOL ± 0.5 °		mm	4:1						
▽ = 0		4 PLACES ±		DRWN BY	DATE	IMPACT 3 PAIR HEADER ORTHOGONAL ASSEMBLY GUIDE RIGHT SALES DWG					
▼ = 0		3 PLACES ±		ARIZVI01	2013/04/01						
▽ = 0		2 PLACES ± 0.13		CHKD BY	DATE	PRODUCT CUSTOMER DRAWING					
▽ = 0		1 PLACE ± 0.25		PRAMASWAMY	2017/10/13						
⊠ = 0		0 PLACES ±		APPR BY	DATE	SERIES MATERIAL NUMBER CUSTOMER 76855 SEE CHART GENERAL MARKET					
■ = 0		DRAFT WHERE APPLICABLE MUST REMAIN WITHIN DIMENSIONS		TELO	2015/03/24						
▽ = 0		E3	DRAWING SIZE	THIRD ANGLE PROJECTION	DOCUMENT NUMBER		DOC TYPE		DOC PART		SHEET NUMBER
			C		SD-76855-003		PSD		001		2 OF 3



MIDPLANE PCB LAYOUT



ORTHO PIN MAPPING					
OPTION 270 (NEARSIDE - FARSIDE)					
A1-A1	A2-B1	A3-D1	A4-E1	A5-G1	A6-H1
B1-A2	B2-C1	B3-D2	B4-F1	B5-G2	B6-J1
C1-B2	C2-C2	C3-E2	C4-F2	C5-H2	C6-J2
D1-A3	D2-B3	D3-D3	D4-E3	D5-G3	D6-H3
E1-A4	E2-C3	E3-D4	E4-F3	E5-G4	E6-J3
F1-B4	F2-C4	F3-E4	F4-F4	F5-H4	F6-J4
G1-A5	G2-B5	G3-D5	G4-E5	G5-G5	G6-H5
H1-A6	H2-C5	H3-D6	H4-F5	H5-G6	H6-J5
J1-B6	J2-C6	J3-E6	J4-F6	J5-H6	J6-J6

ORTHO PIN MAPPING					
OPTION 90 (NEARSIDE - FARSIDE)					
A1-J6	A2-H6	A3-F6	A4-E6	A5-C6	A6-B6
B1-J5	B2-G6	B3-F5	B4-D6	B5-C5	B6-A6
C1-H5	C2-G5	C3-E5	C4-D5	C5-B5	C6-A5
D1-J4	D2-H4	D3-F4	D4-E4	D5-C4	D6-B4
E1-J3	E2-G4	E3-F3	E4-D4	E5-C3	E6-A4
F1-H3	F2-G3	F3-E3	F4-D3	F5-B3	F6-A3
G1-J2	G2-H2	G3-F2	G4-E2	G5-C2	G6-B2
H1-J1	H2-G2	H3-F1	H4-D2	H5-C1	H6-A2
J1-H1	J2-G1	J3-E1	J4-D1	J5-B1	J6-A1

NOTE: PINOUTS SHOWN IN BALLOONS ARE GROUNDS.
PINOUTS SHOWN ARE FOR SQUARE (6 COLUMN) PATTERN ONLY.

QUALITY SYMBOLS	THIS DRAWING CONTAINS INFORMATION THAT IS PROPRIETARY TO MOLEX ELECTRONIC TECHNOLOGIES, LLC AND SHOULD NOT BE USED WITHOUT WRITTEN PERMISSION					
▽ = 0	EC NO: 123283 DRWN: ABN CHKD: ABN APPR: PRAMASWAMY MIGRATED TO NX 2017/10/17 2017/10/17 2017/10/18	GENERAL TOLERANCES (UNLESS SPECIFIED)		DIMENSION UNITS	SCALE	
▽ = 0		ANGULAR TOL ± 0.5 °		mm	1:1	
▽ = 0		4 PLACES ±	DRWN BY		DATE	
▽ = 0		3 PLACES ±	ARIZVI01		2013/04/01	
▽ = 0		2 PLACES ± 0.13	CHKD BY		DATE	
▽ = 0		1 PLACE ± 0.25	PRAMASWAMY		2017/10/13	
▽ = 0	0 PLACES ±	APPR BY		DATE		
▽ = 0	DRAFT WHERE APPLICABLE MUST REMAIN WITHIN DIMENSIONS		TELO	2015/03/24		
▽ = 0			DRAWING SIZE	THIRD ANGLE PROJECTION		
▽ = 0			C			
			IMPACT 3 PAIR HEADER ORTHOGONAL ASSEMBLY GUIDE RIGHT SALES DWG			
			PRODUCT CUSTOMER DRAWING			
			SERIES	MATERIAL NUMBER	CUSTOMER	
			76855	SEE CHART	GENERAL MARKET	
			DOCUMENT NUMBER	DOC TYPE	DOC PART SHEET NUMBER	
			SD-76855-003	PSD	001 3 OF 3	