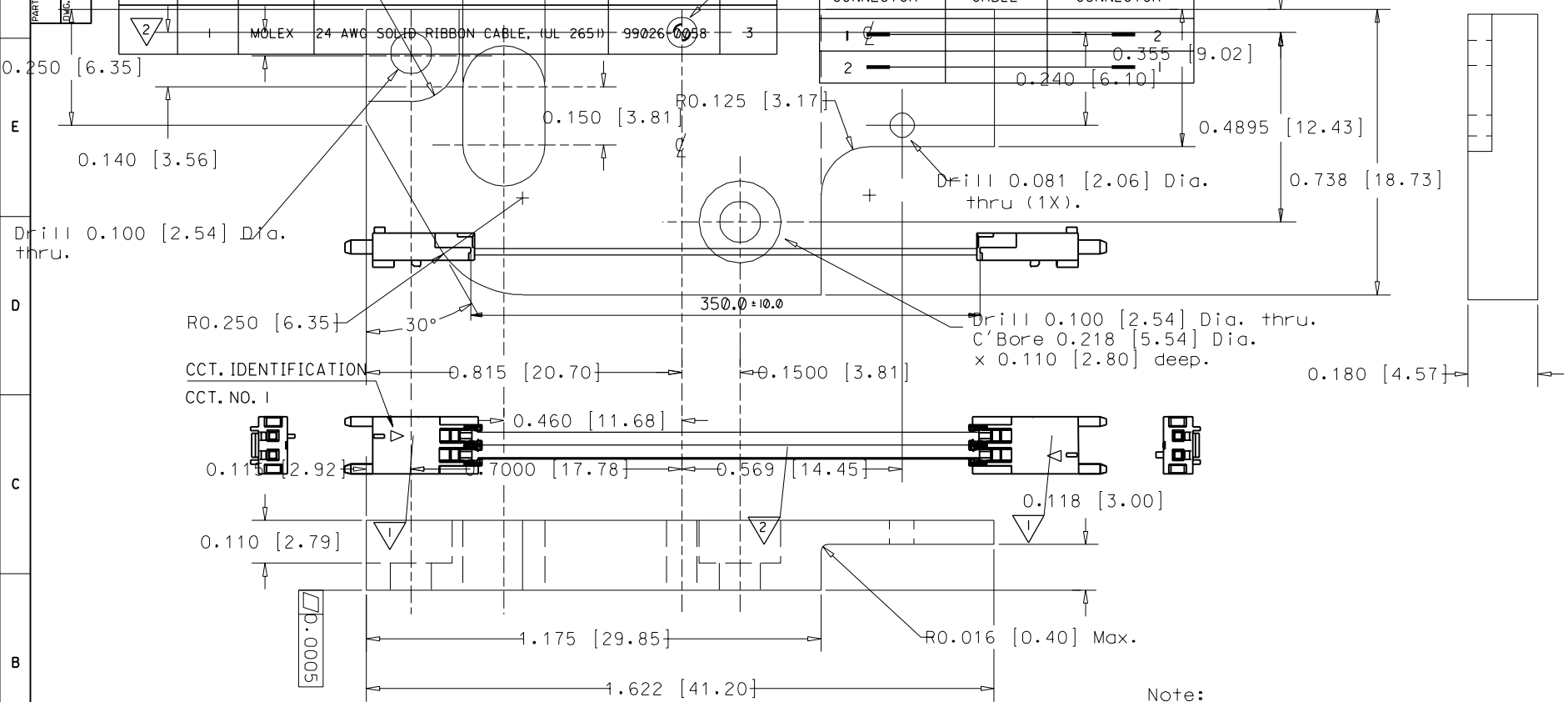
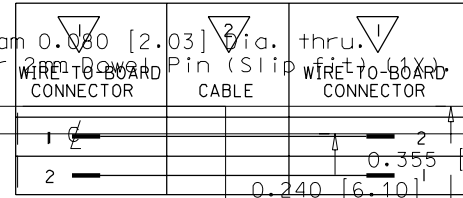


PART NO. 92301-0156  
 DATE NO. SD-92301-280

BILL OF MATERIALS

ITEM	QTY.	SUPPLIER	DESCRIPTION	PART NO.	NOTE
1	2	MOLEX	WIRE TO BOARD CONNECTOR	190250-0001	2
2	1	MOLEX	24 AWG SOLID RIBBON CABLE, (UL 2651)	99026-0008	3

WIRING DIAGRAM



NOTES:

1. SUPPLIER OR CUSTOMER APPROVED EQUIVALENT.
2. SEE PRODUCT SPECIFICATION PS-99020-0018.
3. SEE CABLE SPECIFICATION ES-99027-0008.

- NOTES:
1. MATERIAL FINISH TO BE 6061 T6
  2. HEAT TREAT Z17
  3. FINISH TO A CHAMFER AND SIZE TO BACK
  4. BREAK ALL SHARP EDGES UNLESS OTHERWISE SPECIFIED .005 - .010
  5. MARK FLUSH WITH OR BELOW SURFACE
- ENGINEERING NO.-VENDOR CODE PART NO.

Note: Dimensions to .0005 INCHES

UNIT	INCH	MILL	MM
DECIMALS	1/16	1/32	0.1
FRACTIONS	1/8	1/16	0.2
THIRD ANGLE PROJECTION	1/32	1/64	0.05

REV	DESCRIPTION	DATE	BY	CHKD.	APPR.	SCALE	DESIGN UNITS	TITLE	DATE	ISSUES NO.	DATE	SHEET NO.
1	ORIGINAL RELEASE	06/18	DRW/BENR			1:1	INCH	BENR	00/02/01	1	04/19/93	1 OF 1
2	MAJOR							ATCH 2 CCT USER FRIENDLY ASSY				
3	CRITICAL											
4												
5												
6												
7												
8												
9												
10												