

13	12	11	10	9	8	7	6	5	4	3	2	1
MATERIAL NUMBER		OLD PART NUMBER		FINISHED LENGTH								
120088-8093		503006E02M020		6.56' +3.50" -0 [2.0M +88.9mm -0]								

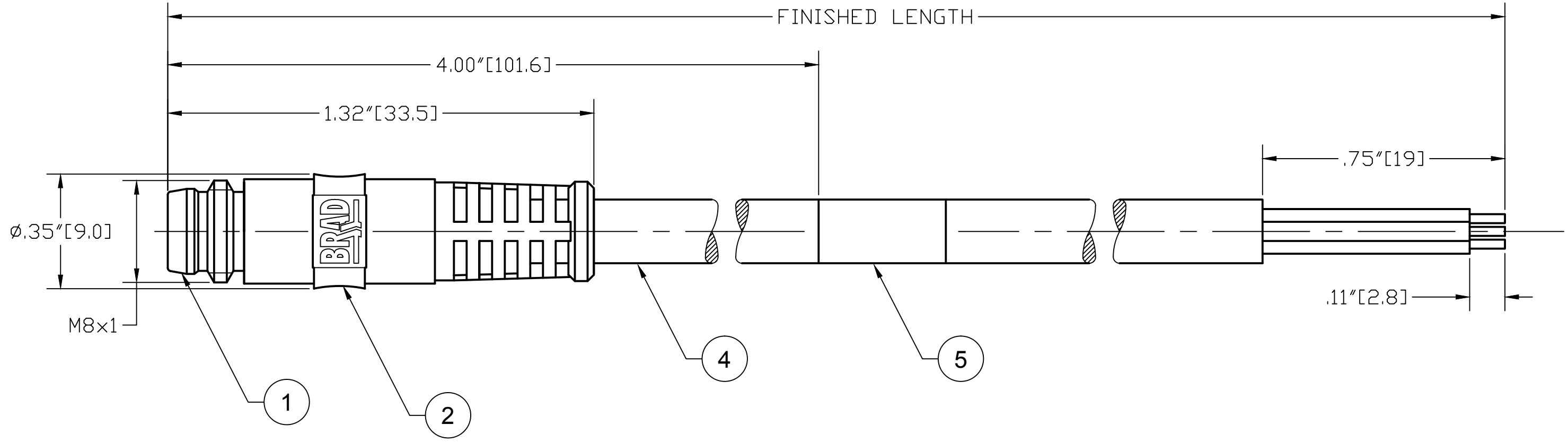
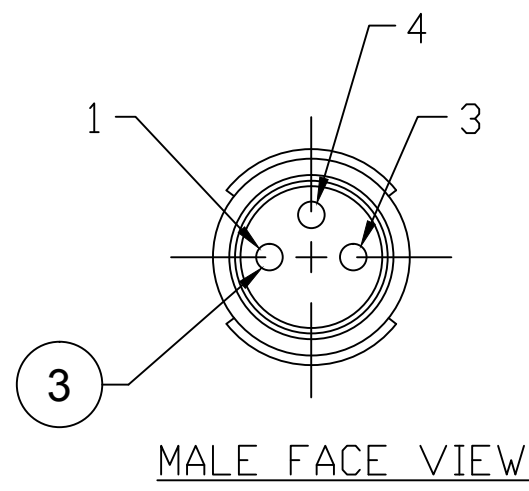
503006E02M020

Wire type
3x .25mm²
Black PVC

cable length
M020----2 Meter
M100----10 Meter

CABLE LENGTH TOLERANCES

>.3M [1FT]:	+19mm-0 [+.75in-0]
.3 - .9M [1 - 3FT]:	+44.5mm-0 [+1.75in-0]
.9 - 1.8M [3 - 6FT]:	+55.6mm-0 [+2.19in-0]
1.8 - 3.7M [6 - 12FT]:	+88.9mm-0 [+3.50in-0]
3.7 - 7.3M [12 - 24FT]:	+165.1mm-0 [+6.50in-0]
7.3-14.6M [24 - 48FT]:	+317.5mm-0 [+12.50in-0]
14.6 - 30.5M [48-100FT]:	+622.3mm-0 [+24.50in-0]
OVER 30M [100FT]:	+2% OF FINISHED LENGTH



- NOTES:
1. MATERIAL: AS NOTED
 2. FINISH: AS NOTED
 3. ELECTRICAL:
VOLTAGE: 50V AC (B)
60V DC
 4. TEMP RATING: -20°TO +80°C
 5. PROTECTION: IP67 (WHEN MATED)
 6. ALL DIMS ARE FOR REFERENCE UNLESS NOTED OTHERWISE

1	BROWN
3	BLUE
4	BLACK

WIRING DIAGRAM

5	WRAP LABEL	VINYL	YELLOW
4	CABLE, 3x0.25	PVC	BLACK
3	CONTACT PIN	COPPER ALLOY	GOLD PLATED
2	MOLDED BODY	TPU	BLACK
1	MALE INSERT	PUR	BLACK
ITEM	DESCRIPTION	MATERIAL	FINISH

ADD MATL. DESCRIPTION CHART	EC NO: IFCG2019-0385	QUALITY SYMBOL	▽=0
	DRWN: JCAPPOZZ 2019/02/11		▽C=0
	CH'KD: RSTONE 2019/02/11		
	APPR: BWOODMAN2013/08/16		
	REV		DESCRIPTION

GENERAL TOLERANCES (UNLESS SPECIFIED)	
mm	INCH
4 PLACES	±---
3 PLACES	±---
2 PLACES	±0.13 ±.010
1 PLACE	±0.25 ±.020
ANGULAR ±.5°	
DRAFT WHERE APPLICABLE MUST REMAIN WITHIN DIMENSIONS	

DIMENSION STYLE IN/MM	
DRAWN BY	DATE
EBRACKEN	2013/06/18
CHECKED BY	DATE
RSTONE	----
APPROVED BY	DATE
BWOODMAN	2013/08/16
MATERIAL NO.	SEE CHART
SIZE	C

SCALE	DESIGN UNITS	THIRD ANGLE PROJECTION
---	INCH	☉
TITLE		
NANO-CHANGE ASSEMBLY		
3 POLE MM ST		
PVC BLACK SNAP .25		
MOLEX INCORPORATED		
DOCUMENT NO.	SHEET NO.	
SD-120088-025	1 OF 1	
THIS DRAWING CONTAINS INFORMATION THAT IS PROPRIETARY TO MOLEX INCORPORATED AND SHOULD NOT BE USED WITHOUT WRITTEN PERMISSION		