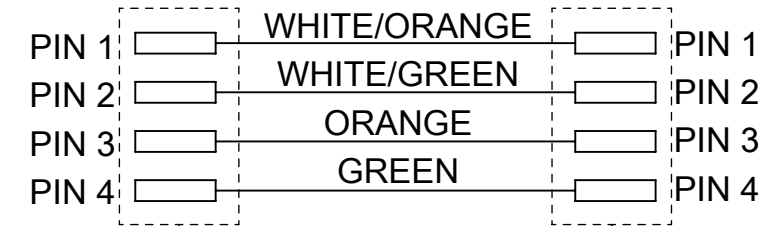


PART NO. MATRIX

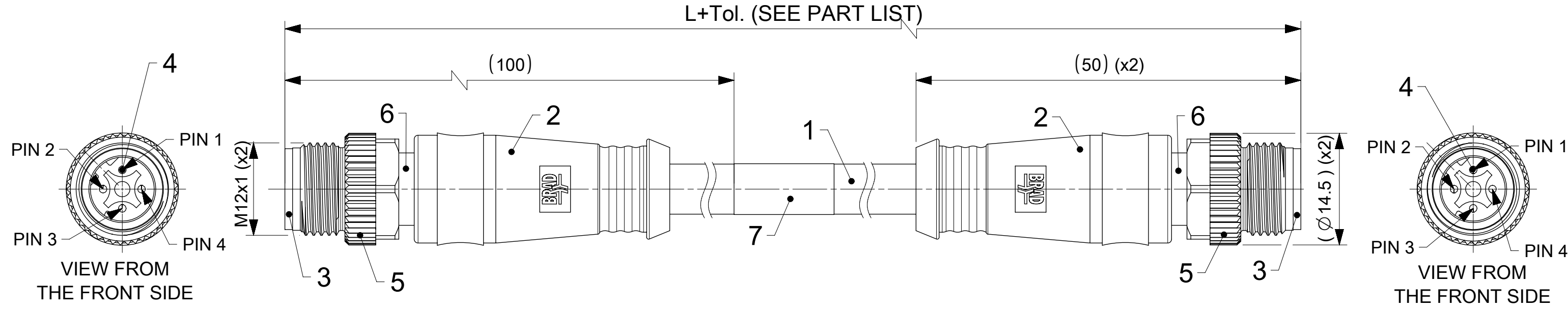
**E 1 1 A 0 6 0 1 6 B K M X X X X**

E = ETHERNET/EtherCat  
 HEADS: 1=M12 D-Coding  
 HEADS STYLE: 060 = MALE STR/MALE STR  
 WIRING TYPE: A=4 Pole (STRAIGHT WIRED)  
 CABLE TYPE :  
 Units: M = Meter, T = 10x Meter  
 Length Examples: 005 = 0.5 m, 010 = 1 m, 050 = 5 m, 100 = 10 m, 150 = 15 m  
 H=2 PCS ID CARRIER

WIRING DIAGRAM



SHIELD CONNECTED TO THE HOUSING



NOTES :  
 ELECTRICAL DATA :  
 VOLTAGE RATING : 30V AC/DC  
 AMPERAGE RATING : 1.5A  
 INSULATION RESISTANCE : 10<sup>9</sup>Ω MIN.  
 MATING CYCLES : MIN. 100

ENVIRONMENTAL :  
 PROTECTION : IP67 IN MATED AND LOCKED POSITION  
 OPERATING TEMPERATURE : -25°C TO +85°C

TRANSMISSION CHARACTERISTICS ACCORDING TO ISO/IEC 11801 CATEGORY 5e  
 PATCH CORD PROFINET TYPE C

CABLE SPECIFICATION  
 CONDUCTOR:  
 MATERIAL: BARE COPPER  
 SECTION: 0.12mm<sup>2</sup> - 24AWG  
 INSULATION:  
 COMPOUND: PE  
 DIAMETER: Ø1.20±0.10mm  
 COLOR: WHITE/ORANGE, WHITE/GREEN, ORANGE, GREEN  
 JACKET:  
 COMPOUND: PUR  
 COLOR: BLACK  
 DIAMETER: Ø6.5±0.25mm

PART LIST

MOLEX PN	ENGINEERING NO	L[mm]
1201088950	E11A06016BKM005	500
1201088951	E11A06016BKM010	1000
1201088952	E11A06016BKM020	2000
1201088953	E11A06016BKM030	3000
1201088954	E11A06016BKM040	4000
1201088955	E11A06016BKM050	5000
1201088956	E11A06016BKM100	10000
1201088957	E11A06016BKM150	15000
1201088958	E11A06016BKM200	20000
1201088959	E11A06016BKM250	25000
1201088960	E11A06016BKM300	30000

BOM

ITEM	QTY	DESCRIPTION	MATERIAL	FINISH
7	1	LABEL	VINYL	YELLOW
6	2	M12 SHIELD SLEEVE	BRASS	Ni-PLATED
5	2	NUT M12 MA HEX SW13	BRASS	Ni-PLATED
4	8	CONTACT 10 MA STA	BRASS	SELECTED GOLD OVER NICKEL
3	2	INSERT M12 MA 4P DC	PUR	BLACK
2	-	OVER MOULD	TPU	BLACK
1	-	CABLE #24-2-2 TEAL WELD SLAG RESIST	TPU	TEAL

TABLE 1  
 CABLE LENGTH TOLERANCES

LENGTH	TOLERANCE
0m-1m	+40 mm
>1m-5m	+60 mm
>5m-10m	+80 mm
>10m-20m	+140 mm
>20m-30m	+160 mm
>30m	+1% length

THIS DRAWING CONTAINS INFORMATION THAT IS PROPRIETARY TO MOLEX ELECTRONIC TECHNOLOGIES, LLC AND SHOULD NOT BE USED WITHOUT WRITTEN PERMISSION

FUNCTIONAL SYMBOLS:  $\nabla/A = 0$ ,  $\nabla/E = 0$ ,  $\nabla/V = 0$

DIVISIONAL SYMBOLS

SCALE: 2:1  
 DIMENSION UNITS: mm

GENERAL TOLERANCES (UNLESS SPECIFIED):  
 ANGULAR TOL ± 1.0°  
 4 PLACES ±  
 3 PLACES ±  
 2 PLACES ± 0.05  
 1 PLACE ± 0.3  
 0 PLACES ± 0.5

DRAFT WHERE APPLICABLE MUST REMAIN WITHIN DIMENSIONS

THIRD ANGLE PROJECTION

DRAWING: A3-SIZE  
 SERIES: 120108  
 MATERIAL NUMBER: SEE PART LIST  
 CUSTOMER: GENERAL MARKET

EC NO: 689781  
 DRWN: MDHARMANTI 2021/08/03  
 CHK'D: RSILLER 2021/12/21  
 APPR: RSILLER 2021/12/21

INITIAL REVISION:  
 DRWN: MDHARMANTI 2021/08/03  
 APPR: RSILLER 2021/12/21

DOCUMENT NUMBER: 1201088950  
 DOC TYPE: PSD  
 DOC PART: 000  
 REVISION: A

**molex**  
 CSE M12 ETH 4P DC MA MA STR WSOR XM DE

PRODUCT CUSTOMER DRAWING

SHEET NUMBER: 1 OF 1