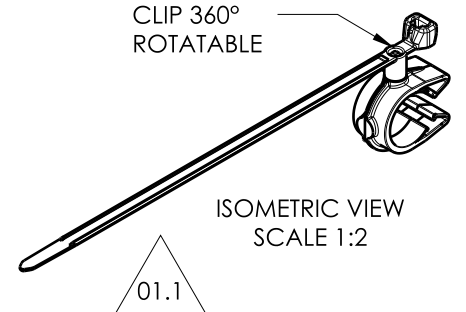
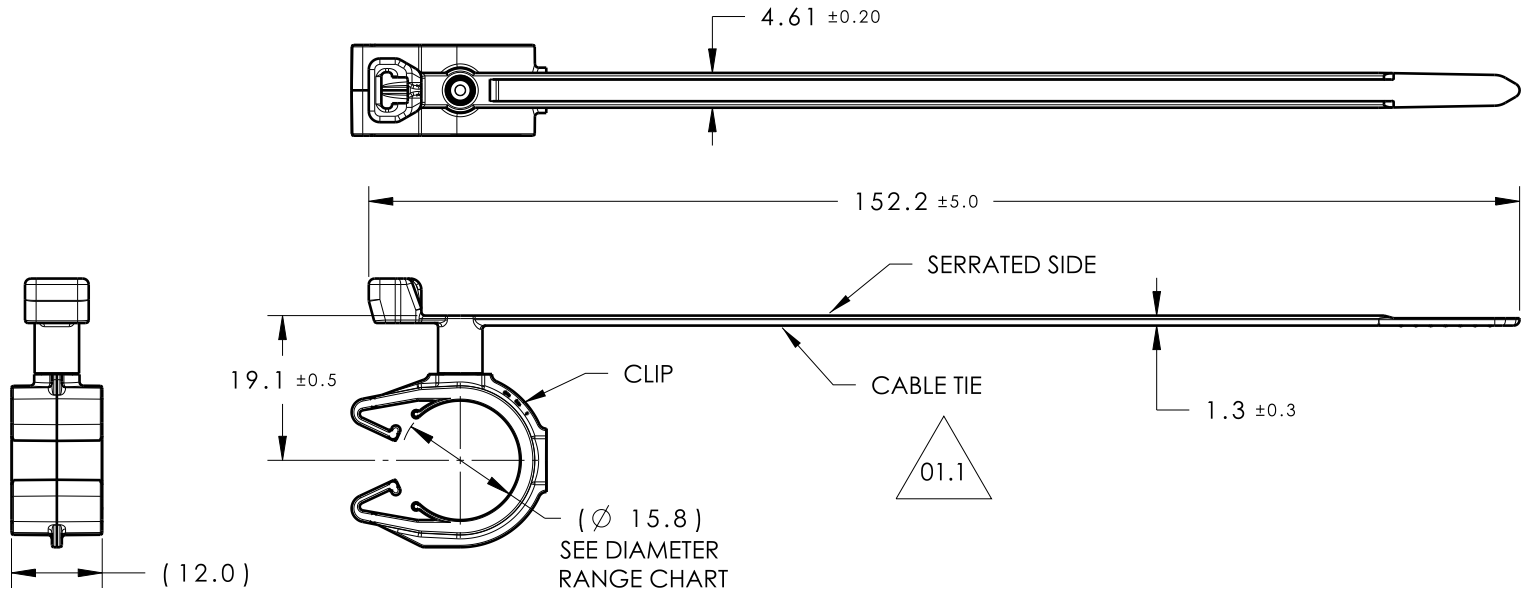



Revision Level			Revision Record	Changed	Date	Approved	Date
Drawing	State	Part					
01.1	Design Release	-	SEE ECN# 014610	TAT	8/27/18	EJH	8/27/18



TYPE	SUGGESTED DIAMETER RANGE*
HARNESS	14.0MM - 17.0MM
HOSE	14.0MM - 17.0MM
HARD PIPE/TUBE	15.9MM - 18.3MM

*RECOMMENDED SIZES MAY DIFFER DEPENDING ON THE APPLICATION, PRODUCT REQUIREMENTS AND MATERIALS USED

**PATENT PENDING 29/582,271

GLOBAL PART DESCRIPTION	BUNDLE RANGE	CABLE TIE			CLIP**				
		DRAWING	MATERIAL	COLOR	DRAWING	MATERIAL	COLOR		
T50SVMOC16M-PA66HIRHS-BK	2 TO 35	14-0606-011-CSU	PA66HIRHSUV	BLACK	16-0321-000-CSU	PA66HIRHSUV	BLACK		
Material SEE CHART COLOR: SEE CHART	Units millimeters Tolerance defined on each dimension	The copyright of this drawing is reserved by HellermannTyton. It is issued on condition that it is not reproduced, copied or disclosed to a third party, either wholly or in part, without the consent of HellermannTyton.	Drawn	TAT	4/23/18	Article/Type-No T50SVMOC16M		Scale 1:1	
			Approved	EJH	4/24/18	Title T50 TIE STRAP COUPLED TO 16MM MOC		Project Number 16-0321	
			 North America Email: corp@htamericas.com Web: www.hellermann.tyton.com			Drawing-No	PRODUCTION : Phase		Format AH
						16-0321-202-CSU			Sheet 1/1