

Panel mounting frames - VS-08-SET-MOD-1-R/5-BU-BU/SD-F - 1658833

Please be informed that the data shown in this PDF Document is generated from our Online Catalog. Please find the complete data in the user's documentation. Our General Terms of Use for Downloads are valid (<http://phoenixcontact.com/download>)



RJ45 panel mounting frame, IP67, for round panel cutout, with grommet, with thread and union nut, with RJ45 socket insert, CAT5e, socket on socket, with protective cover, flat design



Key Commercial Data

Packing unit	1 pc
GTIN	
GTIN	4046356164436

Technical data

General data

Alternative short product description	RJ45 panel mounting frame
---------------------------------------	---------------------------

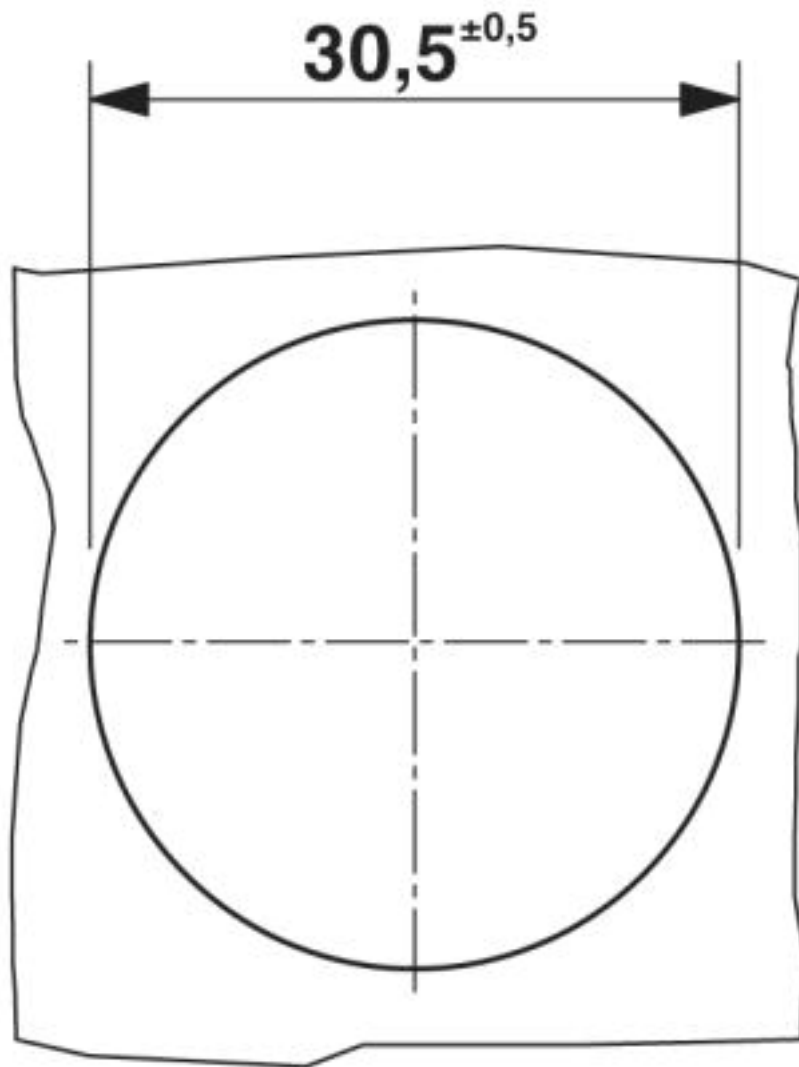
Environmental Product Compliance

China RoHS	Environmentally Friendly Use Period = 50
	For details about hazardous substances go to tab "Downloads", Category "Manufacturer's declaration"

Drawings

Panel mounting frames - VS-08-SET-MOD-1-R/5-BU-BU/SD-F - 1658833

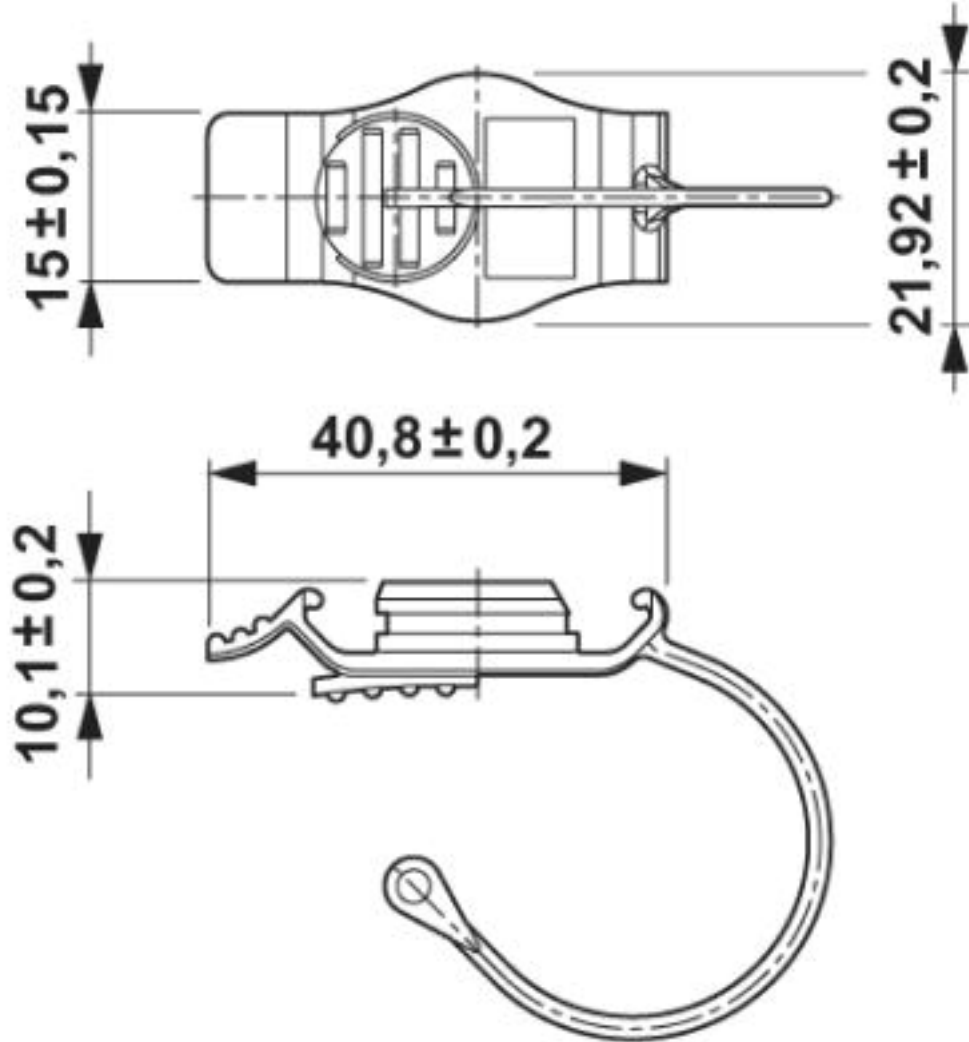
Dimensional drawing



Mounting cutout

Panel mounting frames - VS-08-SET-MOD-1-R/5-BU-BU/SD-F - 1658833

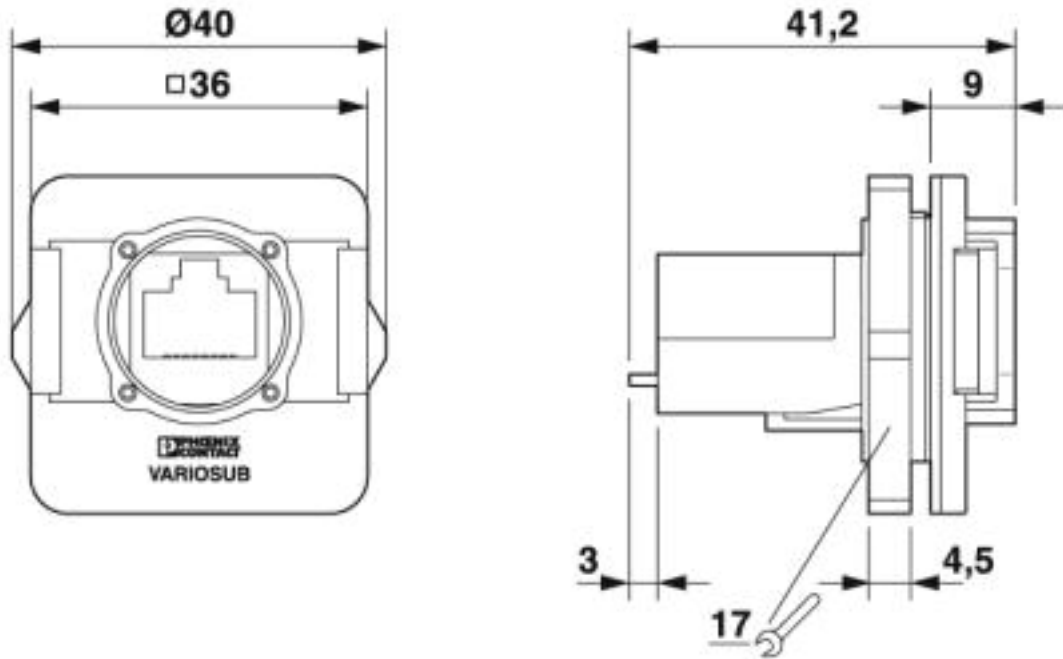
Dimensional drawing



Protective cover, IP67

Panel mounting frames - VS-08-SET-MOD-1-R/5-BU-BU/SD-F - 1658833

Dimensional drawing



RJ45 panel mounting frame, IP67

Approvals

Approvals

Approvals

EAC

Ex Approvals

Approval details

EAC		B.01742
-----	--	---------



Phoenix Contact 2019 © - all rights reserved
<http://www.phoenixcontact.com>

PHOENIX CONTACT GmbH & Co. KG
Flachmarktstr. 8
32825 Blomberg
Germany
Tel. +49 5235 300
Fax +49 5235 3 41200
<http://www.phoenixcontact.com>