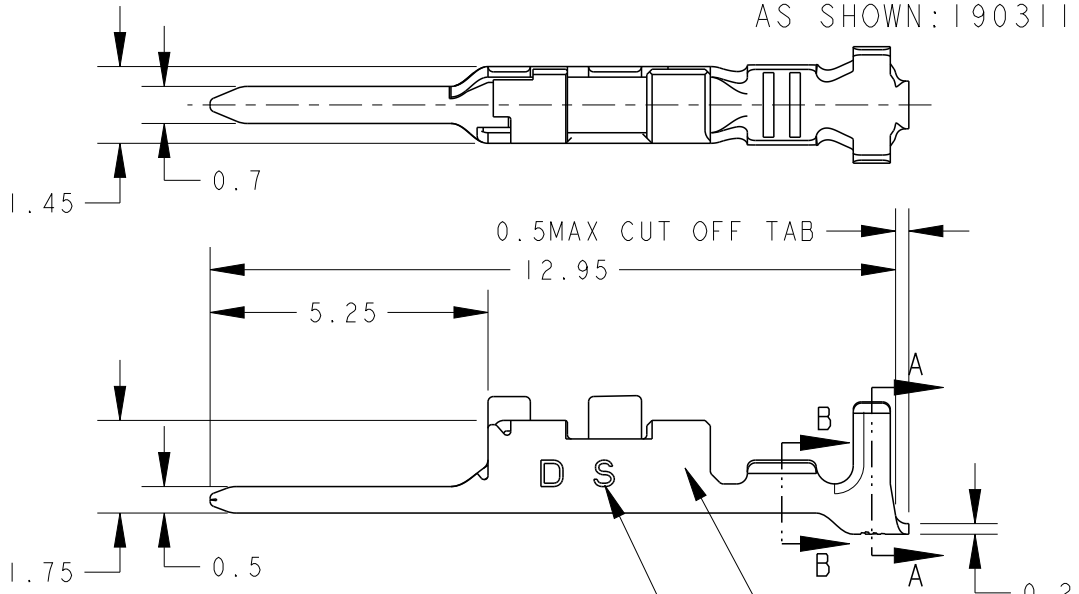


REVISIONS					
P	LTR	DESCRIPTION	DATE	DWN	APVD
	C	REVISED PER ECR-19-016494	24OCT2019	F.Z	R.B
	D	REVISED PER ECR-22-142637	16JUN2022	RI	TS

AS SHOWN: 1903115-2

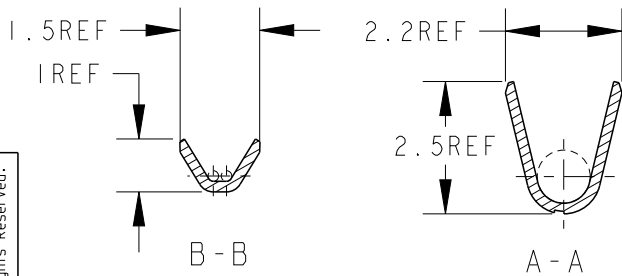


SERIES MARK

3 ID MARK

2 TE LOGO

2 TE LOGO



- 1. THE SHAPE, SIZE AND POSITION OF THE CHARACTER SHOW THE OUTLINE. THEY DON'T SHOW DETAILS. ALTERNATIVE TE LOGO FOR DIFFERENT DIE.
- 2 ALTERNATIVE ID MARK, WITH "■" OR NO MARK.

D S 4	MATERIAL: COPPER ALLOY FINISH: CONTACT AREA Au 0.2umMIN, OVER Ni 1.27umMIN	1903115-4
D S	MATERIAL: COPPER ALLOY FINISH: CONTACT AREA Au 0.38umMIN, OVER Ni 1.27umMIN	1903115-2
SERIES MARK	MATERIAL	PART NO

© 2019 TE Connectivity. All Rights Reserved.

DIMENSIONS:	
mm	
TOLERANCES UNLESS OTHERWISE SPECIFIED:	
± 0.3, ± 3°	
0 PLC	±
1 PLC	±
2 PLC	±
3 PLC	±
4 PLC	±
ANGLES	±

DWN	M. MAEBASHI	11 APR 2006
CHK	T. KUDO	11 APR 2006
APVD	D. MITSUGI	11 APR 2006
PRODUCT SPEC	108-78268	
APPLICATION SPEC	114-5377	
WEIGHT	0.071 g	
CUSTOMER DRAWING		

WIRE RANGE		AWG#30~#28	INSULATION DIA	
mm ² 0.05~0.09			Ø0.6~Ø1.2	
MATERIAL		SEE TABLE	FINISH	
			SEE TABLE	
NAME DYNAMIC D1000 SERIES TAB CONTACT Au, S-TYPE L/P				
SIZE	CAGE CODE	DRAWING NO	RESTRICTED TO	
A4	00779	C-1903115		
SCALE		7:1	SHEET	1 OF 1
			REV	D