

FO converters - PSI-MOS-RS485W2/FO 850 E - 2708339

Please be informed that the data shown in this PDF Document is generated from our Online Catalog. Please find the complete data in the user's documentation. Our General Terms of Use for Downloads are valid (<http://phoenixcontact.com/download>)



FO converter with integrated optical diagnostics, alarm contact, for RS-485 2-wire bus systems (SUCONET K, Modbus ...) up to 500 kbps, NRZ coding, terminal device with one FO interface (BFOC), 850 nm, for PCF/ fiberglass cable (multimode)

Product Description


The PSI-MOS-RS485W2/FO... FO converters convert the electrical data signal into an optical one by protocol transparent means. The integrated optical diagnostics allow permanent monitoring of the FO paths during installation and also during operation. The floating switch contact is activated when the signal output on the fiber optic paths drops to a critical level. The PSI-MOS-RS485W2/FO... E termination devices convert an RS-485 interface to a fiber optic cable. They are ideal for point-to-point connections.

Your advantages

- ✓ Can be combined with the PSI copper repeater in a modular way using DIN rail connectors
- ✓ Supply voltage and data signals routed through the DIN rail connectors
- ✓ Connections can be plugged in via a COMBICON screw terminal block
- ✓ Automatic data rate detection or fixed data rate setting via DIP switches
- ✓ High-quality electrical isolation between all interfaces (RS-485 // fiber optic ports // power supply // DIN rail connector)
- ✓ Redundant power supply possible by means of optional system power supply unit
- ✓ Approved for use in zone 2
- ✓ Intrinsically safe fiber optic interface (Ex op is) for direct connection to devices in zone 1
- ✓ Integrated optical diagnostics for continuous monitoring of FO paths
- ✓ Floating switch contact for advance warning of critical FO paths
- ✓ Suitable for data rates up to 500 kbps
- ✓ Shipbuilding approval in accordance with DNV GL



Key Commercial Data

| | |
|--------------|---|
| Packing unit | 1 pc |
| GTIN |  4 017918 974039 |
| GTIN | 4017918974039 |

Technical data

Note

FO converters - PSI-MOS-RS485W2/FO 850 E - 2708339

Technical data

Note

| | |
|-------------------------|---|
| Utilization restriction | EMC: class A product, see manufacturer's declaration in the download area |
| | Use in potentially explosive areas is not permitted in China. |

Dimensions

| | |
|--------|--------|
| Width | 35 mm |
| Height | 99 mm |
| Depth | 105 mm |

Ambient conditions

| | |
|---|--|
| Ambient temperature (operation) | -20 °C ... 60 °C |
| Ambient temperature (storage/transport) | -40 °C ... 85 °C |
| Permissible humidity (operation) | 30 % ... 95 % (non-condensing) |
| Altitude | ≤ 5000 m (For restrictions, see the manufacturer's declaration for altitude operation) |
| | ≤ 2000 m (Hazardous locations) |
| Degree of protection | IP20 |
| Noise immunity | EN 61000-6-2:2005 |

General

| | |
|--|---|
| Bit delay | ≤ 1 bit |
| Bit distortion, input | ± 35 % (permitted) |
| Bit distortion, output | < 6.25 % |
| Electrical isolation | VCC // RS-485 |
| Test voltage data interface/power supply | 1.5 kV _{rms} (50 Hz, 1 min.) |
| Electromagnetic compatibility | Conformance with EMC Directive 2014/30/EU |
| Noise emission | EN 55011 |
| Mounting type | DIN rail mounting |
| Net weight | 254.3 g |
| Housing material | PA 6.6-FR |
| Color | green |
| MTBF | 272 Years (Telcordia standard, 25°C temperature, 21% operating cycle (5 days a week, 8 hours a day)) |
| | 44 Years (Telcordia standard, 40°C temperature, 34.25% operating cycle (5 days a week, 12 hours a day)) |

Power supply

| | |
|-----------------------------|---|
| Nominal supply voltage | 24 V DC (in acc. with UL) |
| Supply voltage range | 18 V DC ... 30 V DC (via pluggable COMBICON screw terminal block) |
| Max. current consumption | 130 mA |
| | ≤ 2 A (For operation in a connection station, via the DIN rail connector) |
| Typical current consumption | 120 mA (24 V DC) |
| Connection method | COMBICON plug-in screw terminal block |
| Stripping length | 7 mm |

FO converters - PSI-MOS-RS485W2/FO 850 E - 2708339

Technical data

Interfaces

| | |
|---------------------------------------|--|
| Interface 1 | RS-485 interface, 2-wire |
| Operating mode | Semi-duplex |
| Connection method | Pluggable screw connection |
| File format/coding | UART (11/10 bit switchable; NRZ), slip-tolerant |
| Data direction switching | Automatic control |
| Transmission medium | Copper |
| Transmission length | ≤ 1200 m (depending on the data rate, with shielded, twisted data cable) |
| Termination resistor | 390 Ω |
| | 220 Ω |
| | 390 Ω (Can be connected) |
| Conductor cross section solid min. | 0.2 mm ² |
| Conductor cross section solid max. | 2.5 mm ² |
| Conductor cross section flexible min. | 0.2 mm ² |
| Conductor cross section flexible max. | 2.5 mm ² |
| Conductor cross section AWG min. | 24 |
| Conductor cross section AWG max. | 14 |
| Serial transmission speed | 4.8/ 9.6/ 19.2/ 38.4/ 57.6/ 75/ 93.75/ 115.2/ 136/ 187.5/ 375/ 500 kbps |

Optical interface FO

| | |
|---|---|
| No. of channels | 1 |
| Transmit capacity, minimum | -4 dBm (200/230 μm) |
| | -17.6 dBm (50/125 μm) |
| | -14 dBm (62,5/125 μm) |
| Minimum receiver sensitivity | -32.5 dBm (50/125 μm) |
| | -32.5 dBm (62,5/125 μm) |
| | -32.1 dBm (200/230 μm) |
| Overrange receiver | -3 dBm (200/230 μm) |
| Wavelength | 850 nm |
| Transmission length incl. 3 dB system reserve | 2800 m (with F-K 200/230 8 dB/km with quick mounting connector) |
| | 4200 m (with F-G 50/125 2.5 dB/km) |
| | 3300 m (with F-G 62,5/125 3.0 dB/km) |
| Transmission length | min. 1 m (with F-K 200/230, 8 dB/km) |
| Transmission medium | PCF fiber |
| | Multi-mode fiberglass |
| Transmission protocol | Protocol-transparent to the RS-485 interface |
| Connection method | B-FOC (ST®) |

Digital outputs

| | |
|---------------------------|--|
| Output name | Relay output |
| Output description | Alarm output |
| Number of outputs | 1 |
| Maximum switching voltage | 60 V DC (Resistive Load, General Load) |

FO converters - PSI-MOS-RS485W2/FO 850 E - 2708339

Technical data

Digital outputs

| | |
|-----------------------------|--------------------------------|
| | 30 V AC (Resistive load) |
| | 42 V AC (peak, resistive load) |
| Limiting continuous current | 0.46 A |

Conformance/approvals

| | |
|-----------------|---|
| Designation | CE |
| Certificate | CE-compliant |
| Designation | EAC |
| Identification | EAC |
| Designation | ATEX |
| Identification | # II 3 G Ex nA nC IIC T4 Gc X |
| Additional text | Please follow the special installation instructions in the documentation! |
| Designation | ATEX, FO interface |
| Identification | # II (2) G [Ex op is Gb] IIC |
| | # II (2) D [Ex op is Db] IIIC |
| Certificate | PTB 06 ATEX 2042 U |
| Additional text | Please follow the special installation instructions in the documentation! |
| Designation | UL, USA/Canada |
| Identification | Class I, Zone 2, AEx nc IIC T5 |
| | Class I, Zone 2, Ex nC nL IIC T5 X |
| | Class I, Div. 2, Groups A, B, C, D |
| Designation | Corrosive gas test |
| Identification | ISA-S71.04-1985 G3 Harsh Group A |
| Designation | Shipbuilding |
| Identification | DNV GL |
| Temperature | B |
| Humidity | A |
| Vibration | A |
| EMC | B |
| Enclosure | Required protection according to the Rules shall be provided upon installation on board |

Standards and Regulations

| | |
|---|--|
| Electromagnetic compatibility | Conformance with EMC Directive 2014/30/EU |
| Type of test | Vibration resistance in acc. with EN 60068-2-6/IEC 60068-2-6 |
| Test result | 5g, 10...150 Hz, 2.5 h, in XYZ direction |
| Type of test | Shock in acc. with EN 60068-2-27/IEC 60068-2-27 |
| Test result | 15g, 11 ms period, half-sine shock pulse |
| Noise emission | EN 55011 |
| Noise immunity | EN 61000-6-2:2005 |
| Free from substances that could impair the application of coating | according to P-VW 3.10.7 57 65 0 VW-AUDI-Seat central standard |
| Connection in acc. with standard | CUL |

FO converters - PSI-MOS-RS485W2/FO 850 E - 2708339

Technical data

Standards and Regulations

| | |
|-----------------------|---------------------------------------|
| Standards/regulations | EN 61000-4-2 |
| Contact discharge | ± 6 kV |
| Standards/regulations | EN 61000-4-3 |
| | EN 61000-4-4 |
| Comments | Criterion B |
| Standards/regulations | EN 61000-4-5 |
| Signal | ± 1 kV |
| Standards/regulations | EN 55011 |
| | EN 61000-4-6 |
| Designation | Air clearances and creepage distances |
| Standards/regulations | DIN EN 60664-1 |
| | VDE 0110-1 |
| | DIN EN 50178 |
| | EN 60950 |

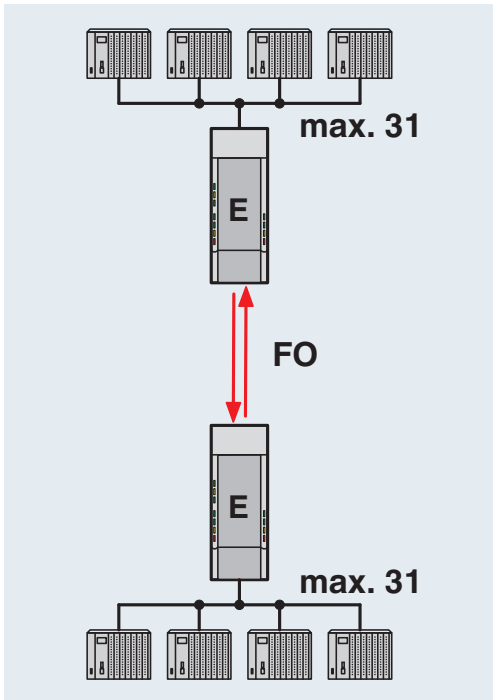
Environmental Product Compliance

| | |
|------------|---|
| REACH SVHC | Lead 7439-92-1 |
| China RoHS | Environmentally Friendly Use Period = 50 years |
| | For details about hazardous substances go to tab "Downloads", Category "Manufacturer's declaration" |

Drawings

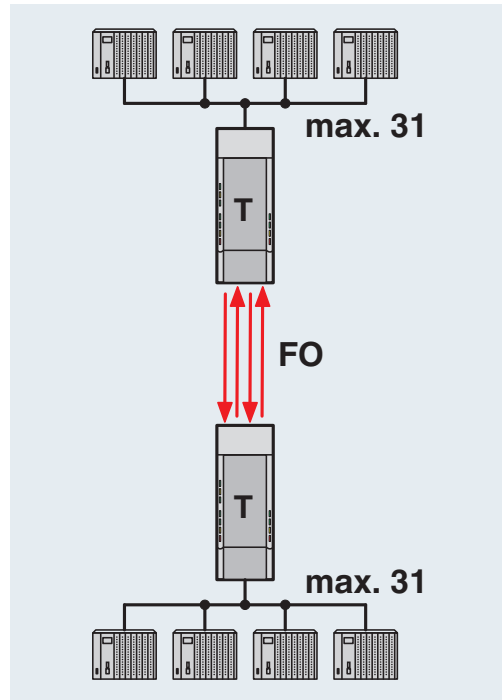
FO converters - PSI-MOS-RS485W2/FO 850 E - 2708339

Application drawing



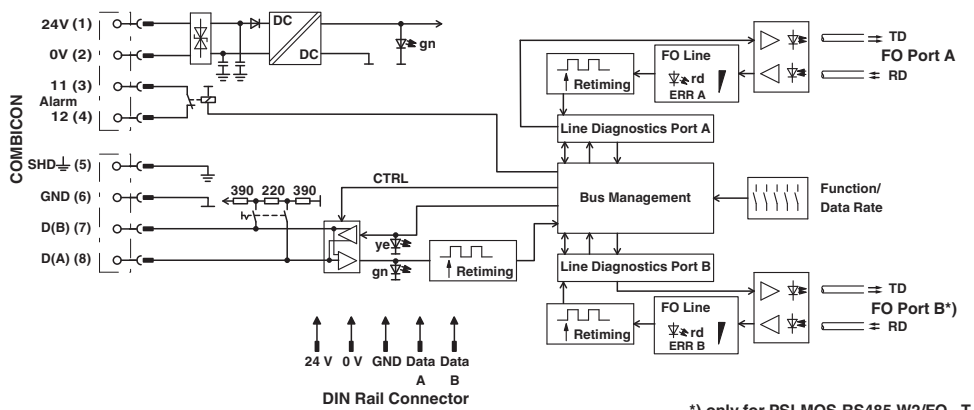
Point-to-point connection

Application drawing



Redundant point-to-point connection

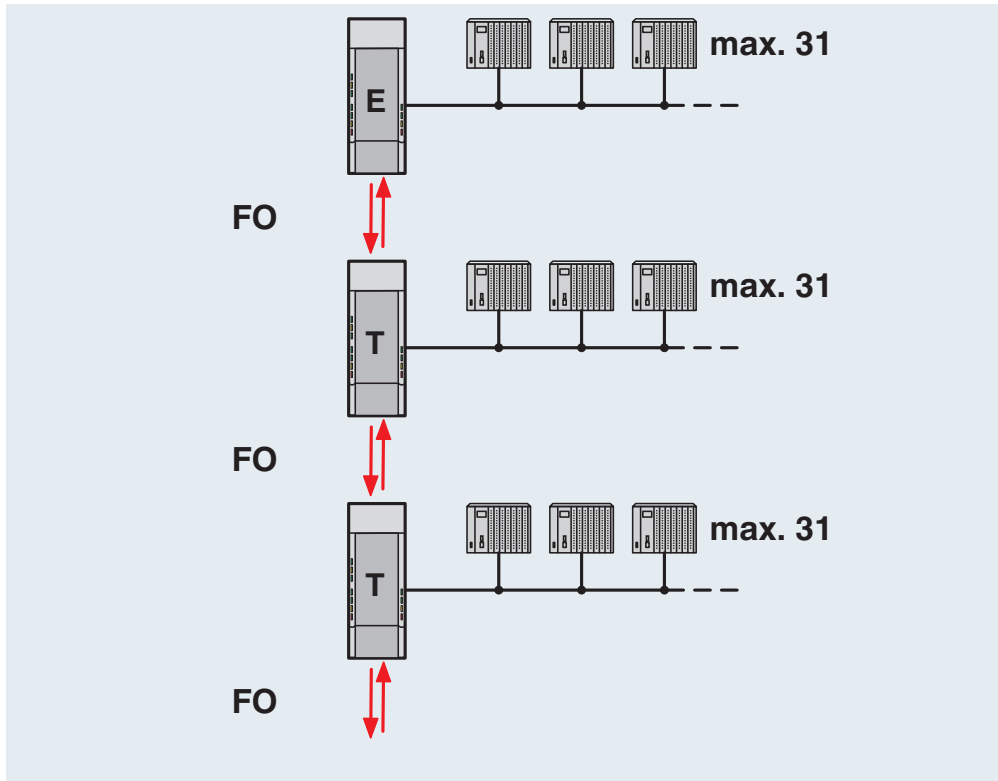
Block diagram



*) only with PSI-MOS.../FO...T

FO converters - PSI-MOS-RS485W2/FO 850 E - 2708339

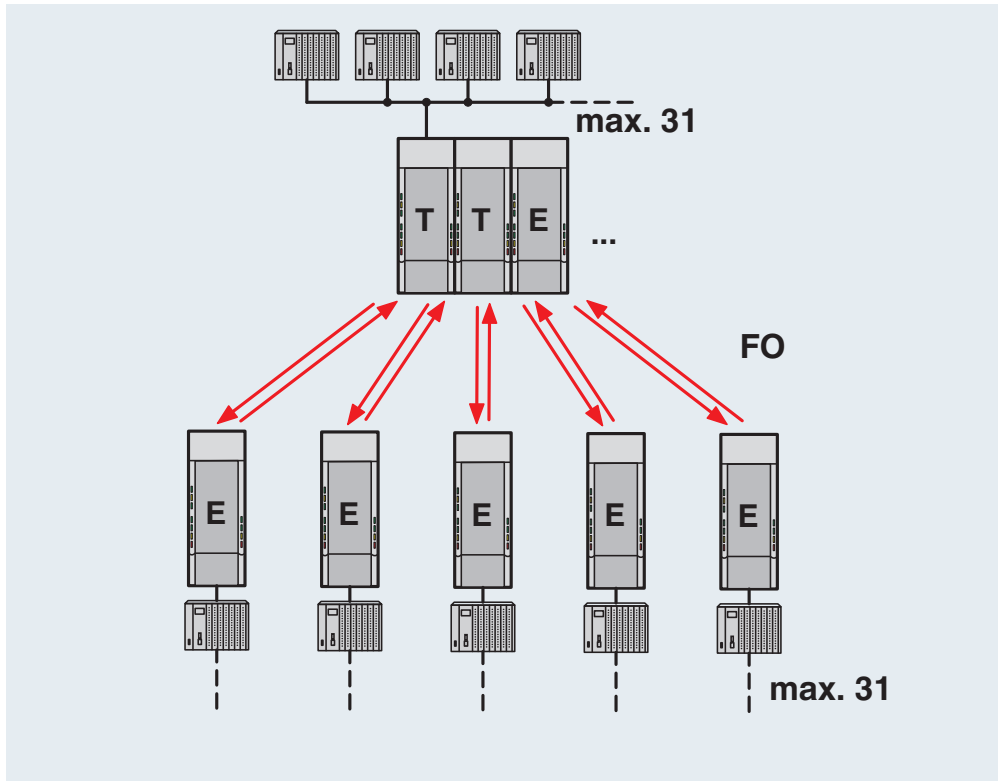
Application drawing



Line structure

FO converters - PSI-MOS-RS485W2/FO 850 E - 2708339

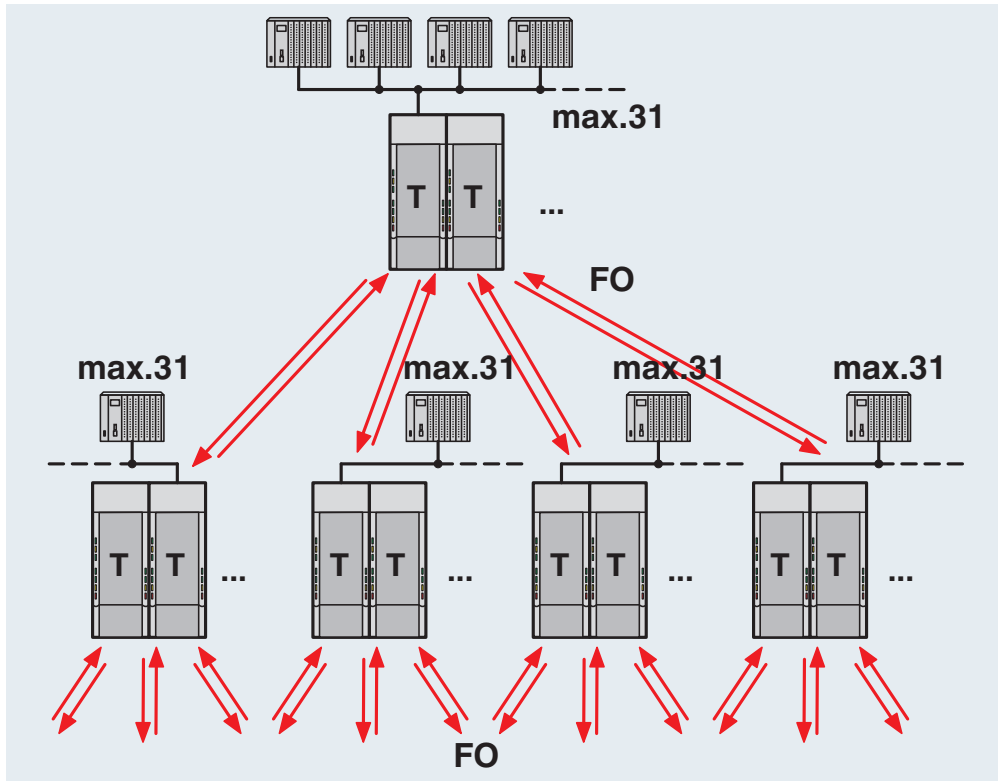
Application drawing



Star structure

FO converters - PSI-MOS-RS485W2/FO 850 E - 2708339

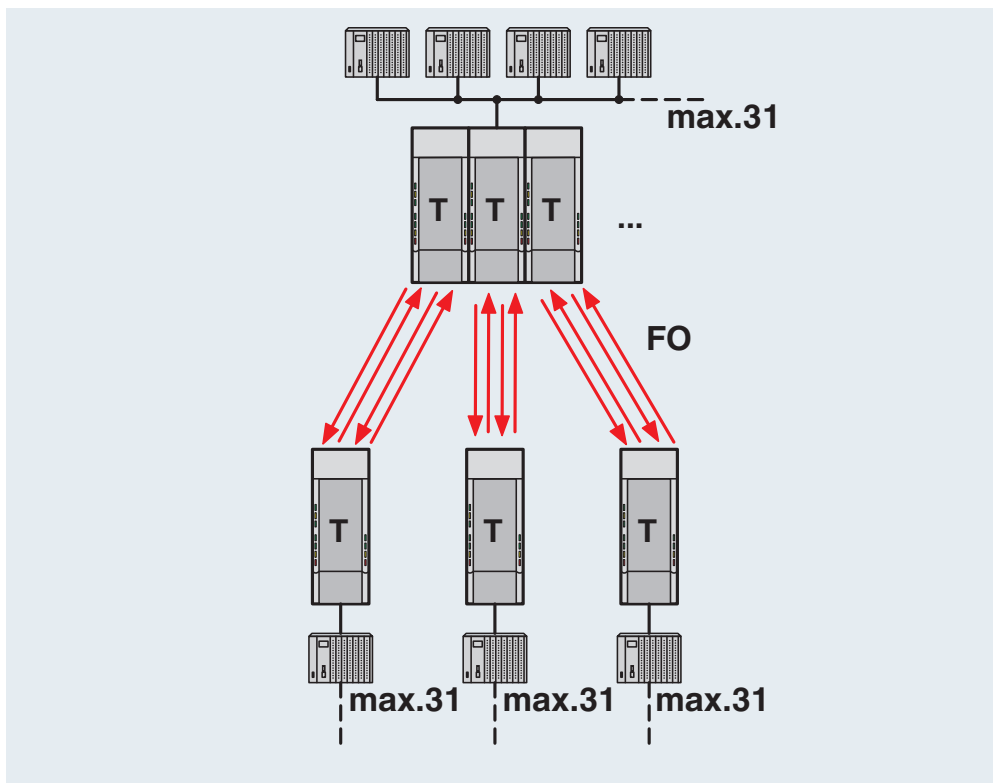
Application drawing



Tree structure

FO converters - PSI-MOS-RS485W2/FO 850 E - 2708339

Application drawing



Redundant structure

Classifications

eCl@ss

| | |
|---------------|----------|
| eCl@ss 10.0.1 | 19170132 |
| eCl@ss 11.0 | 19170411 |
| eCl@ss 4.0 | 27230200 |
| eCl@ss 4.1 | 27230200 |
| eCl@ss 5.0 | 27230200 |
| eCl@ss 5.1 | 27230200 |
| eCl@ss 6.0 | 19179200 |
| eCl@ss 7.0 | 19179290 |
| eCl@ss 9.0 | 19170114 |

ETIM

| | |
|----------|----------|
| ETIM 2.0 | EC001423 |
| ETIM 3.0 | EC001423 |
| ETIM 4.0 | EC001423 |
| ETIM 6.0 | EC001467 |
| ETIM 7.0 | EC001467 |

FO converters - PSI-MOS-RS485W2/FO 850 E - 2708339

Classifications

UNSPSC

| | |
|---------------|----------|
| UNSPSC 6.01 | 30211506 |
| UNSPSC 7.0901 | 39121008 |
| UNSPSC 11 | 39121008 |
| UNSPSC 12.01 | 39121008 |
| UNSPSC 13.2 | 43222604 |
| UNSPSC 18.0 | 43223323 |
| UNSPSC 19.0 | 43223323 |
| UNSPSC 20.0 | 43223323 |
| UNSPSC 21.0 | 43223323 |

Approvals

Approvals

Approvals

DNV GL / UL Recognized / cUL Recognized / EAC / KC / EAC / UL Recognized / cUL Recognized / EAC / DNV GL / EAC / KC

Ex Approvals

UL Listed / cUL Listed / UL Listed / cUL Listed / ATEX / ATEX / ATEX / ATEX

Approval details

| | | | |
|--------|--|---|------------|
| DNV GL | | https://approvalfinder.dnvgl.com/ | TAA00001KR |
|--------|--|---|------------|

| | | | |
|---------------|--|---|---------------|
| UL Recognized | | http://database.ul.com/cgi-bin/XYV/template/LISEXT/1FRAME/index.htm | FILE E 238705 |
|---------------|--|---|---------------|

| | | | |
|----------------|--|---|---------------|
| cUL Recognized | | http://database.ul.com/cgi-bin/XYV/template/LISEXT/1FRAME/index.htm | FILE E 238705 |
|----------------|--|---|---------------|

| | | | |
|-----|--|--|---------------|
| EAC | | | EAC-Zulassung |
|-----|--|--|---------------|

FO converters - PSI-MOS-RS485W2/FO 850 E - 2708339

Approvals

| | | | |
|----|--|---|----------------------|
| KC | | http://eng.kcc.go.kr/user/ehpMain.do | KCC-REI-PCK-FOCVT270 |
|----|--|---|----------------------|

| | | | |
|-----|--|--|---------------|
| EAC | | | EAC-Zulassung |
|-----|--|--|---------------|

| | | | |
|---------------|--|---|---------------|
| UL Recognized | | http://database.ul.com/cgi-bin/XYV/template/LISEXT/1FRAME/index.htm | FILE E 238705 |
|---------------|--|---|---------------|

| | | | |
|----------------|--|---|---------------|
| cUL Recognized | | http://database.ul.com/cgi-bin/XYV/template/LISEXT/1FRAME/index.htm | FILE E 238705 |
|----------------|--|---|---------------|

| | | | |
|-----|--|--|--------------------------|
| EAC | | | RU *- DE.A*30.B.01735 |
|-----|--|--|--------------------------|

| | | | |
|--------|--|---|------------|
| DNV GL | | https://approvalfinder.dnvgl.com/ | TAA00001KR |
|--------|--|---|------------|

| | | | |
|-----|--|--|--------------------------|
| EAC | | | RU *- DE.A*30.B.01735 |
|-----|--|--|--------------------------|

| | | | |
|----|--|---|----------------------|
| KC | | http://eng.kcc.go.kr/user/ehpMain.do | KCC-REI-PCK-FOCVT270 |
|----|--|---|----------------------|

Accessories

Accessories

Adapter

Connection distributor - PSM PTK - 2760623



Passive RS-485 T-distributor, fitted with one 9-pin D-SUB pin strip and two 9-pin D-SUB socket strips

FO converters - PSI-MOS-RS485W2/FO 850 E - 2708339

Accessories

Connection distributor - PSM PTK-4 - 2799364



Passive RS-485 T-distributor, fitted with one 9-pin D-SUB pin strip and five 9-pin D-SUB socket strips

Data cable by the meter

FO cable - PSM-LWL-HCS-RUGGED-200/230 - 2799885



PCF cable, duplex 200 μm /230 μm , by the meter without male connector, for installation in stationary systems and machines

FO cable - PSM-LWL-HCSO-200/230 - 2799445



PCF cable, duplex 200/230 μm , by the meter, without connector, for outdoor installation

FO cable - PSM-LWL-GDM-RUGGED- 50/125 - 2799322



Fiber glass cable, duplex 50 μm /125 μm , by the meter, without male connector, for installation in stationary systems and machines

FO cable - PSM-LWL-GDO- 50/125 - 2799432



Fiberglass cable, duplex 50/125 μm , by the meter, without connector, for outdoor installation

FO converters - PSI-MOS-RS485W2/FO 850 E - 2708339

Accessories

Bus system cable - PSM-CABLE-PROFIB/FC - 2744652



By the meter, Bus system cable, PROFIBUS (12 Mbps), shielded, PVC FR VI/PVC, Violet, 2-wire (1X2XAWG22/1), color single wire: Red, green, cable length: Free entry (1.0 ... 1000.0 m)

Data cable preassembled

FO patch cable - FOC-ST:PA-SC:PA-OM2:D01/1 - 1115574



Multi-mode OM2 duplex jumper, ST-SC, UPC polishing, length 1 m

FO patch cable - FOC-ST:PA-SC:PA-OM2:D01/2 - 1115573



Multi-mode OM2 duplex jumper, ST-SC, UPC polishing, length 2 m

FO patch cable - FOC-ST:PA-ST:PA-OM2:D01/1 - 1115560



Multi-mode OM2 duplex jumper, ST-ST, UPC polishing, length 1 m

FO patch cable - FOC-ST:PA-ST:PA-OM2:D01/2 - 1115557



Multi-mode OM2 duplex jumper, ST-ST, UPC polishing, length 2 m

FO converters - PSI-MOS-RS485W2/FO 850 E - 2708339

Accessories

Fiber optic cable - FOC-LC:PA-ST:PA-OM2:D01/1 - 1115588



Multi-mode OM2 duplex jumper, LC-ST, UPC polishing, length 1 m

Fiber optic cable - FOC-LC:PA-ST:PA-OM2:D01/2 - 1115587



Multi-mode OM2 duplex jumper, LC-ST, UPC polishing, length 2 m

FO patch cable - FOC-LC:PA-ST:PA-OM1:D01/1 - 1146499



Multi-mode OM1 duplex jumper, LC-ST, UPC polishing, length 1 m

FO patch cable - FOC-LC:PA-ST:PA-OM1:D01/2 - 1146508



Multi-mode OM1 duplex jumper, LC-ST, UPC polishing, length 2 m

FO patch cable - FOC-ST:PA-ST:PA-OM1:D01/1 - 1146501



Multi-mode OM1 duplex jumper, ST-ST, UPC polishing, length 1 m

FO converters - PSI-MOS-RS485W2/FO 850 E - 2708339

Accessories

FO patch cable - FOC-ST:PA-ST:PA-OM1:D01/2 - 1146509



Multi-mode OM1 duplex jumper, ST-ST, UPC polishing, length 2 m

FO patch cable - FL MM PATCH 1,0 ST-SCRJ - 2901820



Assembled FO cable, break out cable, multimode fiberglass 50/125 µm (OM2), connector: B-FOC(ST[®]) / SC-RJ, degree of protection: IP20, for installation in cable ducts or control cabinets, length: 1 m

FO patch cable - FL MM PATCH 2,0 ST-SCRJ - 2901821



Assembled FO cable, break out cable, multimode fiberglass 50/125 µm (OM2), connector: B-FOC(ST[®]) / SC-RJ, degree of protection: IP20, for installation in cable ducts or control cabinets, length: 2 m

FO patch cable - FL MM PATCH 5,0 ST-SCRJ - 2901822



Assembled FO cable, break out cable, multimode fiberglass 50/125 µm (OM2), connector: B-FOC(ST[®])/SC-RJ, degree of protection: IP20, for installation in cable ducts or control cabinets, length: 5 m

FO patch cable - FOC-HCS-RUGGED-1014/IP20/... - 2901555



Robust PCF installation cable for assembly (IP20 heads only) for installation in stationary systems and machines, aramid strain relief elements, with individual elements made from FRNC material, halogen-free, ozone and UV resistant, with a polyurethane (PUR) outer sheath

FO converters - PSI-MOS-RS485W2/FO 850 E - 2708339

Accessories

FO patch cable - FOC-HCS-RUGGED-1014/... - 1402191



rugged PCF installation cable for inner areas with highly tear-proof aramid strain-relief elements. Individual elements made from highly flexible FRNC material. The cable is halogen-free, ozone and UV resistant and has a rugged polyurethane (PUR) outer sheath.

FO patch cable - FOC-HCSO-1015/IP20/... - 2901557



Highly rugged PCF round cable (IP20 heads only) for assembly and for outdoor installation with integrated moisture barrier as well as rodent-proof scrim. Individual elements made from highly flexible FRNC material. The wire is ozone and UV resistant with a very rugged polyethylene outer sheath.

FO patch cable - FOC-GDM-RUGGED-1016/IP20/... - 2901558



Robust GOF installation cable for assembly (IP20 heads only) for installation in stationary systems and machines, aramid strain-relief elements, with individual elements made from FRNC material, halogen-free, ozone and UV resistant, with a polyurethane (PUR) outer sheath

FO patch cable - FOC-GDO-1017/IP20/... - 2901559



Highly rugged GOF round cable (IP20 heads only) for assembly and for outdoor installation with integrated moisture barrier as well as rodent-proof scrim. Individual elements made from highly flexible FRNC material. The wire is ozone and UV resistant with a very rugged polyethylene outer sheath.

Data plug

FO connectors - PSM-SET-B-FOC/4-HCS - 2708481



B-FOC (ST) connector set for PCF fiber, for self assembly consisting of 4 quick mounting connectors with bend protection sleeve

FO converters - PSI-MOS-RS485W2/FO 850 E - 2708339

Accessories

Assembly tool - PSM-HCS-KONFTOOL/B-FOC - 2708465



HCS assembly kit for B-FOC(ST) quick mounting connectors, including stripping blade, stripping pliers, aramide yarn scissors, fiber stripper, microscope, fiber cleaving tool for standard HCS and HCS GI fibers, four B-FOC(ST) connectors for standard HCS fiber, and documentation

Measuring instrument - PSM-FO-POWERMETER - 2799539



Fiber optic measuring case, consisting of an optical power meter, F-SMA, B-FOC adapters, reference fibers and operating instructions

Fiber optic coupling - PSM-SET-BFOC-LINK/2 - 2799429



Coupling; set consisting of 2 couplings for connecting B-FOC plugs

Stripping tool - PSM-STRIP-FC/PROFIB - 2744623



Quick stripping tool for PROFIBUS cable, type Fast Connect

D-SUB bus connector - SUBCON-PLUS M1 - 2761826



D-SUB connector, 9-pos., male connector, two 35° cable entries, bus system: Modbus, Modbus Plus, BITBUS, ARCNET, MULT/MININET (B&R), SYSTEM 2003 (B&R), P-NET, pin assignment: 1, 2, 3, 5, 6, 8 to two screw connection terminal blocks

FO converters - PSI-MOS-RS485W2/FO 850 E - 2708339

Accessories

D-SUB bus connector - SUBCON-PLUS F1 - 2744267



D-SUB connector, 9-pos. female connector, two 35° cable entries, bus system: Modbus, Modbus Plus, BITBUS, ARCNET, MULT/MININET (B&R), SYSTEM 2003 (B&R), P-NET, pin assignment: 1, 2, 3, 5, 6, 8; screw connection terminal blocks

D-SUB bus connector - SUBCON-PLUS M2 - 2761839



D-SUB connector, 9-pos., male connector, two 35° cable entries, bus system: CAN, SUCONET K1, K2 (MOELLER), S-BUS (Saia), J-BUS (Merlin Gerin), pin assignment: 2, 3, 4, 5, 7, 9 to two screw connection terminal blocks

D-SUB bus connector - SUBCON-PLUS F2 - 2799490



D-SUB connector, 9-pos. female connector, two 35° cable entries, bus system: CAN, SUCONET K1, K2 (MOELLER), S-BUS (Saia), J-BUS (Merlin Gerin), pin assignment: 2, 3, 4, 5, 7, 9 to two screw connection terminal blocks

D-SUB bus connector - SUBCON-PLUS 9/M - 2744018



D-SUB connector, 9-pos., male connector, two 35° cable entries, universal type for all systems, pin assignment: 1, 2, 3, 4, 5, 6, 7, 8, 9 to one screw connection terminal block

D-SUB bus connector - SUBCON-PLUS 9/F - 2744241



D-SUB connector, 9-pos. female connector, two 35° cable entries, universal type for all systems, pin assignment: 1, 2, 3, 4, 5, 6, 7, 8, 9 to one screw connection terminal block

DIN rail connector

FO converters - PSI-MOS-RS485W2/FO 850 E - 2708339

Accessories

DIN rail bus connectors - ME 17,5 TBUS 1,5/ 5-ST-3,81 GN - 2709561



DIN rail connector for DIN rail mounting. Universal for TBUS housing. Gold-plated contacts, 5-pos.

DIN rail bus connectors - ME 17,5 TBUS 1,5/PP000-3,81 BK - 2890014



DIN rail connector for DIN rail mounting. Universal for TBUS housing. Gold-plated contacts, 2-pos.

DIN rail bus connectors - ME 17,5 TBUS 1,5/ 5-ST-3,81 KMGY - 2713645



DIN rail connector, color: light gray, nominal current: 8 A (parallel contacts), rated voltage (III/2): 125 V, Number of positions per row: 5, pitch: 3.81 mm, mounting: DIN rail mounting, Locking: without, mounting: without, type of packaging: packed in cardboard, Item with gold-plated contacts, bus connectors for connecting with electronics housings, 5 parallel contacts

Interface converter

Repeater - PSI-REP-RS485W2 - 2313096



Modular repeater for electrical isolation and range increase in RS-485 2-wire bus systems up to 500 kbps, 4-way isolation, rail-mountable, supply 24 V DC

Repeater - PSM-ME-RS485/RS485-P - 2744429



Repeater, for potential separation and range increase in RS-485 2-wire bus systems, 3-way isolation, rail-mountable

Media converter

FO converters - PSI-MOS-RS485W2/FO 850 E - 2708339

Accessories

FO converters - PSI-MOS-RS485W2/FO 850 T - 2708326



FO converter with integrated optical diagnostics, alarm contact, for RS-485 2-wire bus systems (SUCONET K, Modbus ...) up to 500 kbps, NRZ coding, T-coupler with two FO interfaces (BFOC), 850 nm, for PCF/fiberglass cable (multimode)

Power supply

Power supply unit - MINI-SYS-PS-100-240AC/24DC/1.5 - 2866983



Primary-switched MINI POWER supply for DIN rail mounting, input: 1-phase, output: 24 V DC/1.5 A

Screwdriver tools

Screwdriver - SZS 0,4X2,5 VDE - 1205037



Screwdriver, slot-headed, VDE insulated, size: 0.4 x 2.5 x 80 mm, 2-component grip, with non-slip grip

Terminal resistor

Termination resistor - PSI-TERMINATOR-PB-TBUS - 2702636



Active termination resistor for PROFIBUS and RS-485 bus systems, redundant power supply, routing of the supply voltage via DIN rail connector, electrical isolation, switchable termination, integrated programming interface