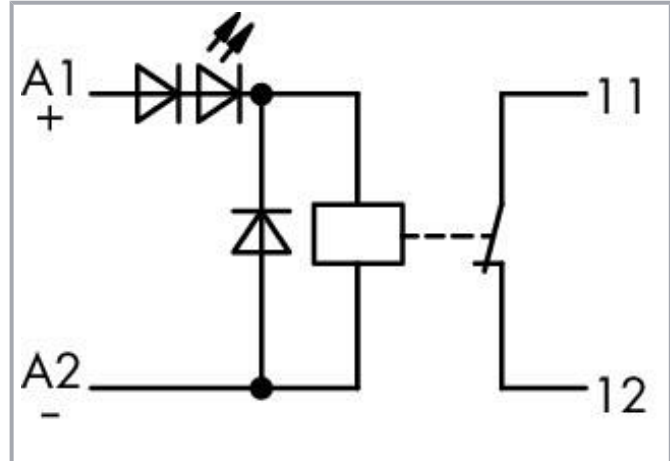


Data sheet | Item number: 286-368

Relay module; Nominal input voltage: 24 VDC; 1 break contact; Limiting continuous current: 5 A; Red status indicator; Module width: 10 mm; gray

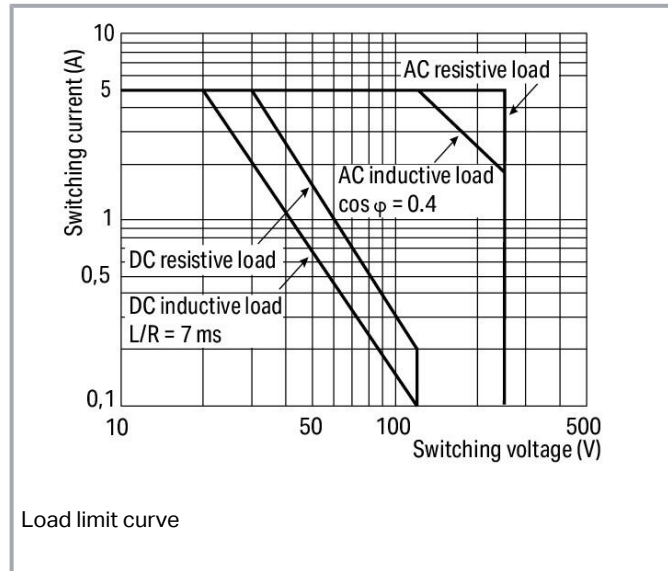
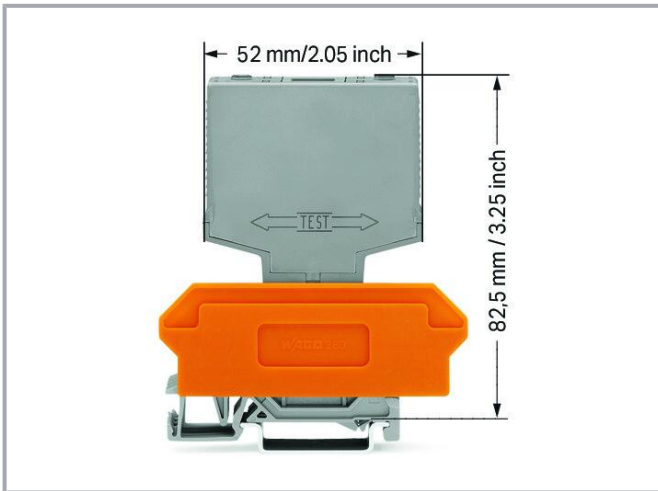
[www.wago.com/286-368](http://www.wago.com/286-368)



Subject to changes. Please also observe the further product documentation!

WAGO GmbH & Co. KG  
Hansastr. 27  
32423 Minden  
Phone: +49571 887-0 | Fax: +49571 887-169  
Email: [info.de@wago.com](mailto:info.de@wago.com) | Web: [www.wago.com](http://www.wago.com)

Do you have any questions about our products?  
We are always happy to take your call at +49 (571) 887-44222.



## Data

### Technical data

### Control Circuit

Nominal input voltage $U_N$	DC 24 V
Input voltage range	$\pm 10\%$
Nominal input current at $U_N$	21 mA

### Load circuit

Number of break/switch-off contacts	1
Contact material (relay)	AgNi
Limiting continuous current	5 A
Switching voltage (max.)	AC 250 V
Switching power (resistive) max.	AC 1250 VA
Pull-in time (typ.)	10 ms
Drop-out time (typ.)	4 ms
Bounce time (typ.)	3 ms
Mechanical life	$5 \times 10^6$ switching operations

## Signaling

Status indicator	Red LED
------------------	---------

Subject to changes. Please also observe the further product documentation!



## Safety and protection

Rated voltage	250 V
Rated surge voltage	4 kV
Pollution degree	2
Dielectric strength (control/load circuit) (AC, 1 min)	4 kVrms
Protection type	IP20

## Physical data

Width	10 mm / 0.394 inches
Height from upper-edge of DIN-rail	82.5 mm / 3.248 inches
Depth	52 mm / 2.047 inches

## Mechanical data

Mounting type	Pluggable module for receptacle terminal blocks
---------------	---

## Material Data

Color	gray
Fire load	0.298 MJ
Weight	19.1 g

## Environmental requirements

Ambient temperature (operation at $U_N$ )	-25 ... +40 °C
Ambient temperature (storage)	-25 ... +70 °C
Processing temperature	-25 ... +50 °C
Relative humidity	5 ... 85 % (no condensation permissible)
Operating altitude (max.)	2000 m

## Standards and specifications

Standards/specifications	EN 60664-1
--------------------------	------------

## Commercial data

Product Group	6 (INTERFACE ELECTRONIC)
eCl@ss 10.0	27-37-16-01
eCl@ss 9.0	27-37-16-01

Subject to changes. Please also observe the further product documentation!



ETIM 8.0	EC001437
ETIM 7.0	EC001437
PU (SPU)	25 (1) pcs
Packaging type	box
Country of origin	DE
GTIN	4045454384036
Customs tariff number	85364900990

## Environmental Product Compliance

CAS-No.	7439-92-1 79-94-7
REACH Candidate List Substance	2,2',6,6'-tetrabromo-4,4'-isopropylidenediphenol Lead
RoHS Compliance Status	Compliant,With Exemption
RoHS Exemption	7(a) 7(c)-I 7(c)-II
SCIP notification number (Austria)	36497ae2-55f1-4340-a81f-1e3485ef3972
SCIP notification number (Belgium)	b642b671-8ef5-4906-a7c9-2f5e80fe3660
SCIP notification number (Bulgaria)	c91ef76f-81f8-4e0e-9eec-3ad9927ebe53
SCIP notification number (Czech Republic)	60779511-3574-4177-a2cf-6420095228d6
SCIP notification number (Denmark)	35baaaa6-709f-4bed-b488-23c9643ba34c
SCIP notification number (Finland)	6d55146d-e74d-43c3-b45a-f2ff48aee3dd
SCIP notification number (France)	32d9add0-26d8-401c-a183-e3085d344995
SCIP notification number (Germany)	a778b3e8-9df1-4ab0-91fb-a1ba9f4ae9a0
SCIP notification number (Hungary)	f5ec93a7-19f8-40b6-85d7-6461ddd04598
SCIP notification number (Italy)	66b4be46-be73-4cfd-a2a9-98c21d72800c
SCIP notification number (Netherlands)	4af6202b-3d13-4512-9868-8ebe884382b1
SCIP notification number (Poland)	578745b3-9a9c-4d14-8e14-31ed5af9dd23
SCIP notification number (Romania)	dbbe6f5e-f2e5-4ca1-a316-1c294a64b9fc
SCIP notification number (Sweden)	924ac231-e702-4595-bed8-287a6eb8202a

## Approvals / Certificates


### General approvals

Logo	Approval	Additional Approval Text	Certificate name
	<b>EAC</b> Brjansker Zertifizierungsstelle	TP TC 004/2011	EAC RU C- DE.AM02. B.00122

Subject to changes. Please also observe the further product documentation!



## Declarations of conformity and manufacturer's declarations

Logo	Approval	Additional Approval Text	Certificate name
	EU-Declaration of Conformity WAGO GmbH & Co. KG	-	-

## Optional accessories

## Marking accessories

## Marker



Item no.: 209-701

WSB marking card; as card; not stretchable; plain; snap-on type; white

[www.wago.com/209-701](http://www.wago.com/209-701)

## Terminal blocks

## Terminal block for pluggable modules



Item no.: 280-608

Terminal block for pluggable modules; 4-pole; with 4-conductor terminal blocks; with orange separator; [www.wago.com/280-608](http://www.wago.com/280-608) for DIN-rail 35 x 15 and 35 x 7.5; 2.5 mm<sup>2</sup>; CAGE CLAMP®; 2,50 mm<sup>2</sup>; gray

Item no.: 280-618

Terminal block for pluggable modules; 4-pole; with 2-conductor terminal blocks; with orange separator; [www.wago.com/280-618](http://www.wago.com/280-618) for DIN-rail 35 x 15 and 35 x 7.5; 2.5 mm<sup>2</sup>; CAGE CLAMP®; 2,50 mm<sup>2</sup>; gray

Item no.: 280-762

Terminal block for pluggable modules; 4-pole; with 4-conductor terminal blocks; with marker carrier; [www.wago.com/280-762](http://www.wago.com/280-762) with orange separator; for DIN-rail 35 x 15 and 35 x 7.5; 2.5 mm<sup>2</sup>; CAGE CLAMP®; 2,50 mm<sup>2</sup>; gray

## Downloads

## Documentation

## Bid Text

286-368 X81 - Datei	2019 Feb 19	xml 3.7 kB	Download
286-368 doc - Datei	2018 Mar 22	doc 26.1 kB	Download

## Instruction Leaflet

Subject to changes. Please also observe the further product documentation!

WAGO GmbH & Co. KG  
Hansastr. 27  
32423 Minden  
Phone: +49571 887-0 | Fax: +49571 887-169  
Email: [info.de@wago.com](mailto:info.de@wago.com) | Web: [www.wago.com](http://www.wago.com)

Do you have any questions about our products?  
We are always happy to take your call at +49 (571) 887-44222.



pdf  
1.3 MB  
Download

### Additional Information

Disposal and Recycling Electrical and electronic equipment, Batteries, Packaging	V 1.1.0 2022 Aug 18	pdf 2.2 MB	Download
---	------------------------	---------------	----------

### CAD/CAE-Data

#### CAD data

2D/3D Models 286-368	URL	Download
----------------------	-----	----------

#### CAE data

WSCAD Universe 286-368	URL	Download
------------------------	-----	----------

ZUKEN Portal 286-368	URL	Download
----------------------	-----	----------

### Environmental Product Compliance

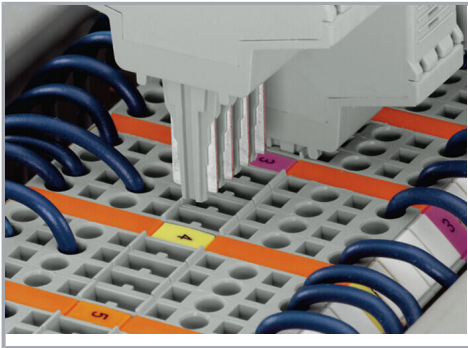
#### Compliance Search

Environmental Product Compliance 286-368 Relay module; Nominal input voltage: 24 VDC; 1 break contact; Limiting continuous current: 5 A; Red status indicator; Module width: 10 mm; gray	URL	Download
---	-----	----------

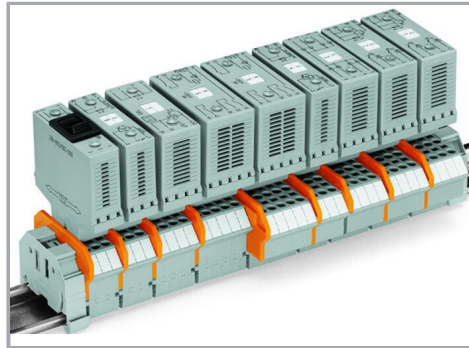
### Installation Notes

#### Installation

Subject to changes. Please also observe the further product documentation!



Coding ensures correct polarity.



Pluggable electronic modules on 2- or 4-conductor carrier terminal blocks

### Marking



Marking via WMB Multi Marking System.

### Testing



Function testing via touch-proof test slots

Subject to changes. Please also observe the further product documentation!