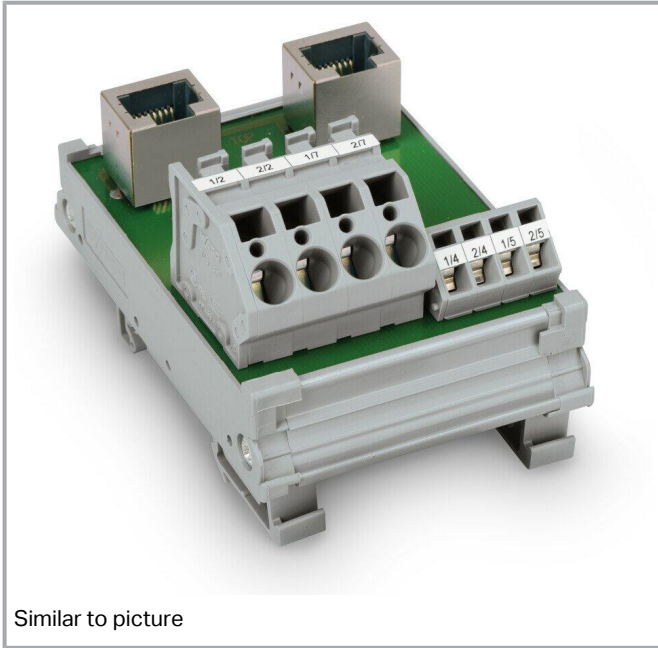


## Data sheet | Item number: 289-965

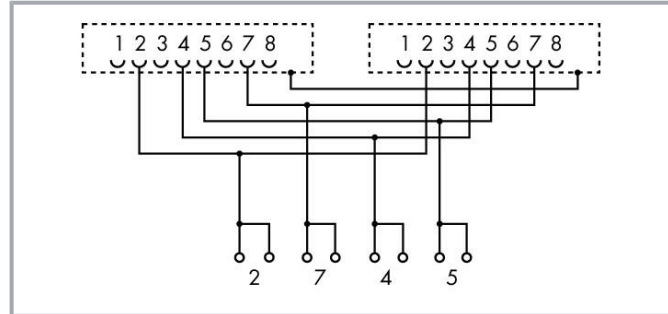
Interface module; 2xRJ-45; PCB terminal blocks, double-row; in mounting carrier



[www.wago.com/289-965](http://www.wago.com/289-965)



Similar to picture



## Item description

### Short description:

Compatible on the field side with the 789-620, 789-621 and 789-622 Current Sensors

Required terminal assignment:

2: + Supply

7: - Supply

4: D+

5: D-

## Data

### Electrical data

Nominal current 1.5 A

Insulation resistance  $\geq 500 \text{ M}\Omega$

Subject to changes. Please also observe the further product documentation!

WAGO GmbH & Co. KG  
Hansastr. 27  
32423 Minden  
Phone: +49571 887-0 | Fax: +49571 887-169  
Email: [info.de@wago.com](mailto:info.de@wago.com) | Web: [www.wago.com](http://www.wago.com)

Do you have any questions about our products?  
We are always happy to take your call at +49 (571) 887-44222.



## Safety and protection

Dielectric strength (contact/contact) (AC, 1 min)	0.5 kV <sub>rms</sub>
---	-----------------------

## Connection data

Mating cycles	500
Connection cable	RJ-45 cable assembly (recommended: UTP)

## Connection 1

Connector	2 x RJ-45 (shielded)
Pole number 1	8
Connection type 1	System
Note (conductor cross-section)	12 AWG: THHN, THWN
Connection type	RJ-45

## Connection 2

Design 2	PCB terminal blocks
Pole number 2	8
Connection type 2	Clamping units 2, 7
Connection technology 2	CAGE CLAMP®
WAGO connector 2	WAGO 236 Series
Solid conductor 2	0.08 ... 2.5 mm <sup>2</sup> / 28 ... 12 AWG
Fine-stranded conductor 2	0.08 ... 2.5 mm <sup>2</sup> / 28 ... 12 AWG
Strip length 2	5 ... 6 mm / 0.2 ... 0.24 inches

## Connection 3

Design 3	PCB terminal blocks
Pole number 3	4
Connection type 3	Clamping units 4, 5
Connection technology 3	CAGE CLAMP®
WAGO connector 3	WAGO 745 Series
Solid conductor 3	0.2 ... 6 mm <sup>2</sup> / 24 ... 10 AWG
Fine-stranded conductor 3	0.2 ... 6 mm <sup>2</sup> / 24 ... 10 AWG
Strip length 3	11 ... 12 mm / 0.43 ... 0.47 inches

Subject to changes. Please also observe the further product documentation!

WAGO GmbH & Co. KG  
 Hansastr. 27  
 32423 Minden  
 Phone: +49571 887-0 | Fax: +49571 887-169  
 Email: [info.de@wago.com](mailto:info.de@wago.com) | Web: [www.wago.com](http://www.wago.com)

Do you have any questions about our products?  
 We are always happy to take your call at +49 (571) 887-44222.



## Physical data

Width	58 mm / 2.283 inches
Height	85 mm / 3.346 inches
Depth from upper-edge of DIN-rail	45 mm / 1.772 inches

## Mechanical Data

Mounting type	DIN-35 rail
Housing design	Mounting carrier
Mating cycles	500

## Material Data

Fire load	1.061 MJ
Weight	70 g

## Environmental requirements

Ambient temperature (operation)	-20 ... +85 °C
---------------------------------	----------------

## Commercial data

Product Group	6 (INTERFACE ELECTRONIC)
eCl@ss 10.0	27-14-11-52
eCl@ss 9.0	27-14-11-52
ETIM 8.0	EC001132
ETIM 7.0	EC001132
PU (SPU)	5 (1) pcs
Packaging type	box
Country of origin	DE
GTIN	4045454830038
Customs tariff number	85366990990

## Environmental Product Compliance

RoHS Compliance Status	Compliant, No Exemption
------------------------	-------------------------

## Downloads

### Documentation

### Bid Text

Subject to changes. Please also observe the further product documentation!

WAGO GmbH & Co. KG  
 Hansastr. 27  
 32423 Minden  
 Phone: +49571 887-0 | Fax: +49571 887-169  
 Email: [info.de@wago.com](mailto:info.de@wago.com) | Web: [www.wago.com](http://www.wago.com)

Do you have any questions about our products?  
 We are always happy to take your call at +49 (571) 887-44222.



289-965 docx - Datei	2019 Mar 4	docx 15.1 kB	Download
-------------------------	------------	-----------------	----------

289-965 X81 - Datei	2019 Feb 19	xml 4.0 kB	Download
------------------------	-------------	---------------	----------

**Instruction Leaflet**

		pdf 1.3 MB	Download
--	--	---------------	----------

**Additional Information**

Disposal and Recycling Electrical and electronic equipment, Batteries, Packaging	V 1.1.0 2022 Aug 18	pdf 2.2 MB	Download
---	------------------------	---------------	----------

**CAD/CAE-Data**

**CAD data**

2D/3D Models 289-965		URL	Download
----------------------	--	-----	----------

**CAE data**

WSCAD Universe 289-965		URL	Download
------------------------	--	-----	----------

ZUKEN Portal 289-965		URL	Download
----------------------	--	-----	----------

**Environmental Product Compliance**

**Compliance Search**

Environmental Product Compliance 289-965 Interface module; 2xRJ-45; PCB terminal blocks, double-row; in mounting carrier		URL	Download
---	--	-----	----------

**Installation Notes**

Subject to changes. Please also observe the further product documentation!