

引き出し方向
PULL OUT
DIRECTION

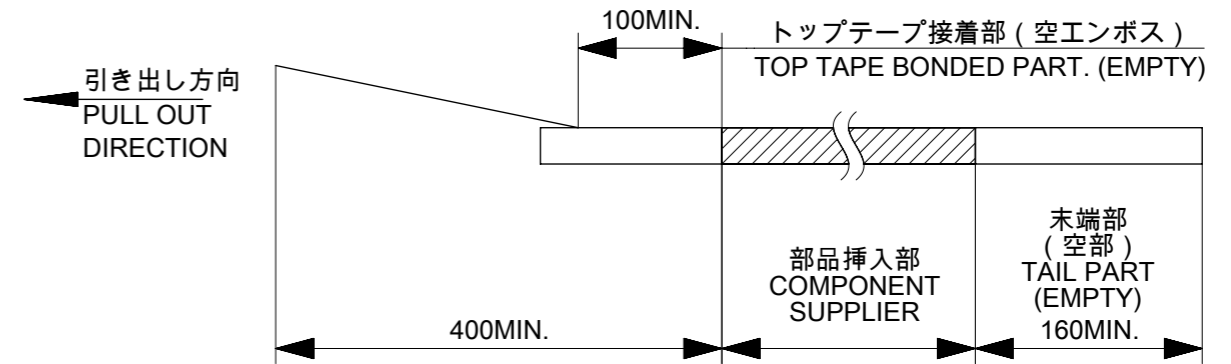
REEL

"C"

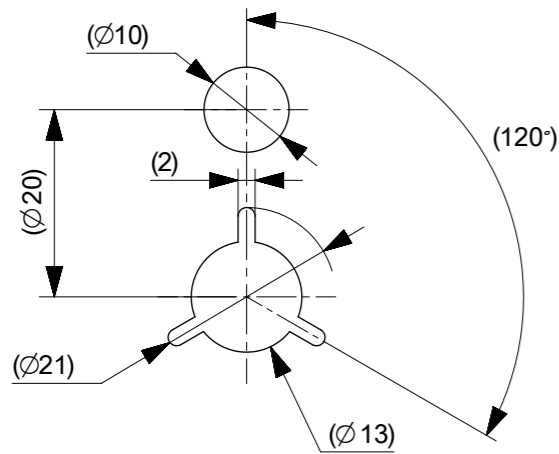
$B \pm 1.0$ 2 ± 0.5

注記 NOTES

- 製品詳細寸法については図面 5020781000 (DOC. PART NO. : 000) を参照下さい。
RE DETAILED DIMENSION, SEE 5020781000 (DOC. PART NO. : 000)
- 梱包数量 : 3000 個 / リール
NUMBER OF CONNECTORS : 3000 PCS/REEL
- リードテープ長さ LEAD TAPE LENGTH



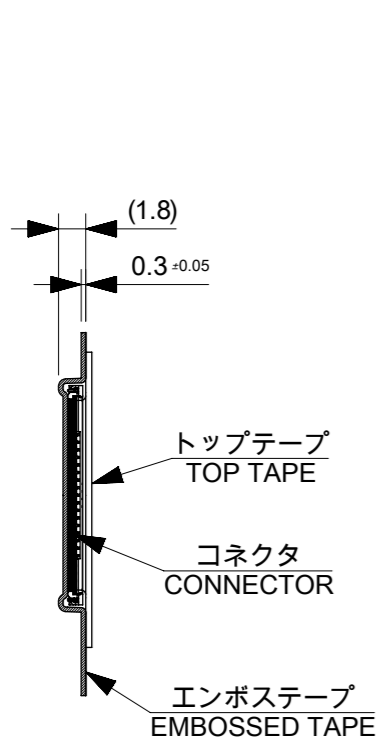
- 材料 MATERIAL
キャリアテープ (CARRIER TAPE) : ポリスチレン (POLYSTYRENE)
トップテープ (TOP TAPE) : PET, PE, PEF
リール (REEL) : ポリスチレン (PS) <リサイクル材を含む>
POLYSTYRENE (PS) <RECYCLE MATERIAL CONTAINED>
- カバーテープの剥離強度については、IEC60286-3 に準拠
COVER TAPE PEEL FORCE IS DEFINED BY IEC 60286-3.



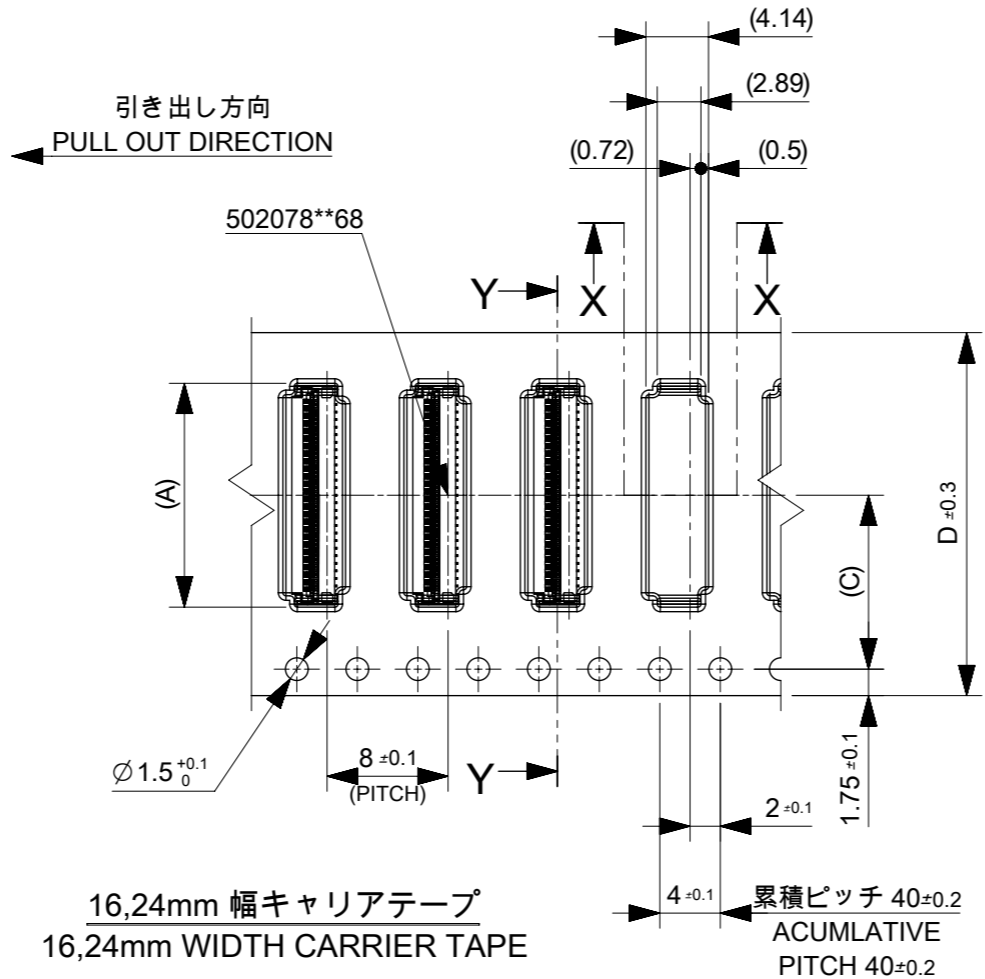
DETAIL C

CONNECTOR SERIES NO. 502078**68

THIS DRAWING CONTAINS INFORMATION THAT IS PROPRIETARY TO MOLEX ELECTRONIC TECHNOLOGIES, LLC AND SHOULD NOT BE USED WITHOUT WRITTEN PERMISSION										
REVISED	EC NO. 112948	2016/08/09	GENERAL TOLERANCES (UNLESS SPECIFIED)		DIMENSION UNITS	SCALE	molex [®]			
	DRWN: MTAKAHASHI04	2017/02/06	ANGULAR TOL ± °		MM	1:1				
	CHK'D: YKOBAYASHI02	2017/02/07	4 PLACES ±	ABABU01	DATE	2016/02/22	0.25MM PITCH FPC CONN HGT = 1.0 HSG ASSY EMBOSSED TAPE PACKAGE			
	APPR: TKUSUHARA01		3 PLACES ±	CHK'D BY	DATE	2016/05/23				
			2 PLACES ±	APPR BY	DATE	2016/05/24	PRODUCT CUSTOMER DRAWING			
		1 PLACE ±	DRAWING SIZE	THIRD ANGLE PROJECTION	502078	SEE CHART	GENERAL			
		0 PLACES ±	DRAFT WHERE APPLICABLE MUST REMAIN WITHIN DIMENSIONS	A3			DOCUMENT NUMBER	DOC TYPE	DOC PART	SHEET NUMBER
					5020780000	PSD	000	1 OF 3		

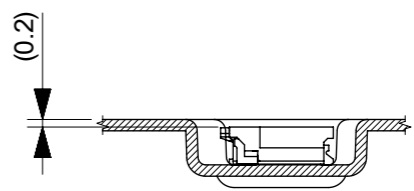


SECTION Y-Y



16,24mm 幅キャリアテープ
16,24mm WIDTH CARRIER TAPE

累積ピッチ 40±0.2
ACUMLATIVE PITCH 40±0.2

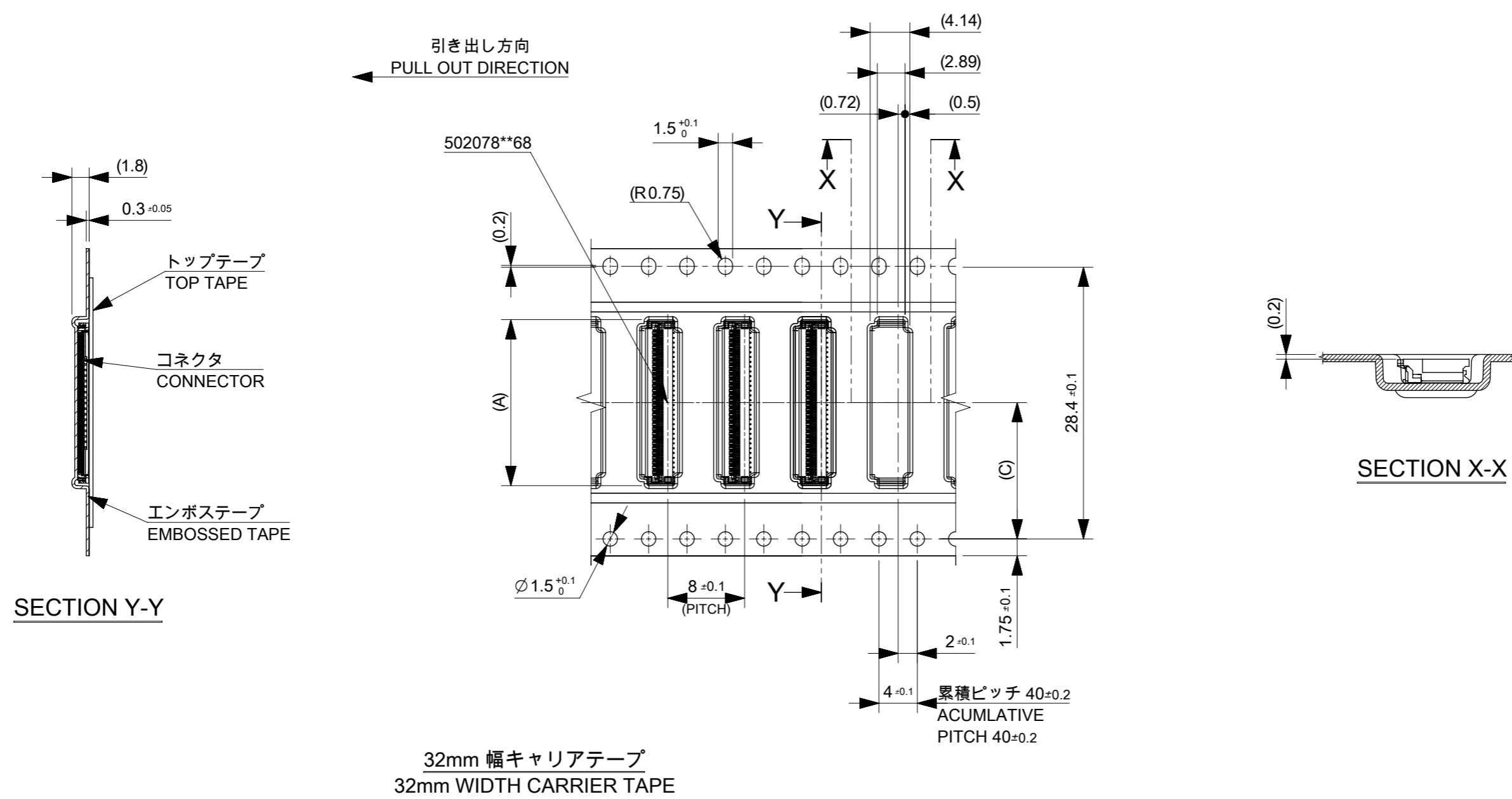


SECTION X-X

24	11.5	25.4	15.3	5020785360	53
			14.8	5020785160	51
			13.3	5020784560	45
			11.8	5020783960	39
			11.3	5020783760	37
			10.3	5020783360	33
			8.3	5020782560	25
16	7.5	17.4	7.3	5020782160	21
			6.3	5020781760	17
D キャリアテープ幅 CARRIER TAPE WIDTH	C	B	(A)	オーダー番号 ORDER NO.	極数 CIRCUITS
				CONNECTOR SERIES NO.	502078**68

THIS DRAWING CONTAINS INFORMATION THAT IS PROPRIETARY TO MOLEX ELECTRONIC TECHNOLOGIES, LLC AND SHOULD NOT BE USED WITHOUT WRITTEN PERMISSION

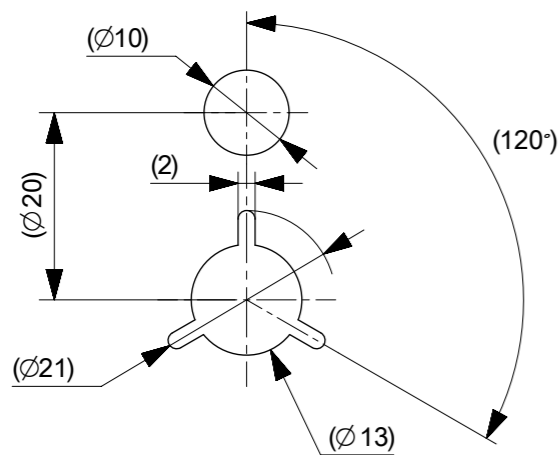
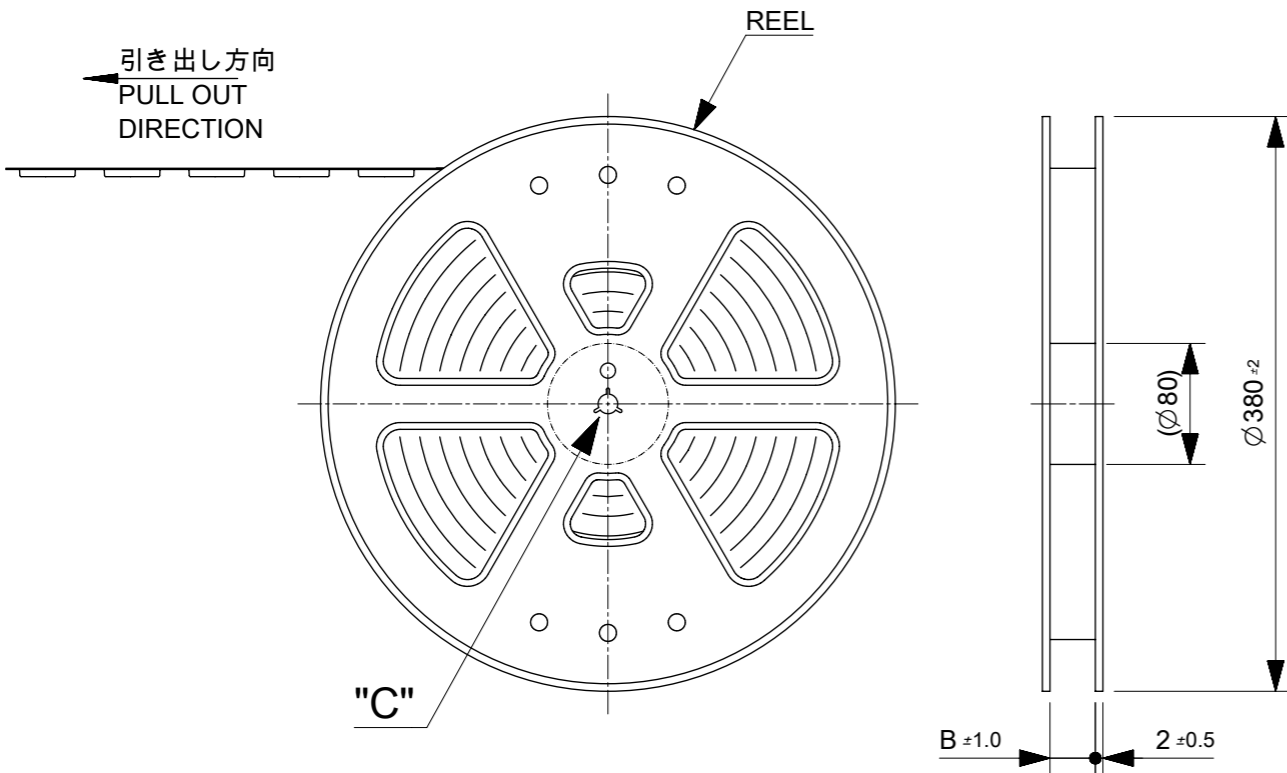
EC NO: 112948 DRWN: MTAKAHASHI04 CHK'D: YKOBAYASHI02 APPR: TKUSUHARA01	2016/08/09	2017/02/06	2017/02/07	GENERAL TOLERANCES (UNLESS SPECIFIED) ANGULAR TOL ± ° 4 PLACES ± 3 PLACES ± 2 PLACES ± 1 PLACE ± 0 PLACES ± DRAFT WHERE APPLICABLE MUST REMAIN WITHIN DIMENSIONS	DIMENSION UNITS	SCALE		
	MM		1:1		DRWN BY	DATE		0.25MM PITCH FPC CONN HGT = 1.0 HSG ASSY EMBOSSED TAPE PACKAGE
	ABABU01		2016/02/22		CHK'D BY	DATE		
	YKOBAYASHI02		2016/05/23		APPR BY	DATE		
	TKUSUHARA01		2016/05/24		DRAWING SIZE	THIRD ANGLE PROJECTION		
A3								
PRODUCT CUSTOMER DRAWING			SERIES	MATERIAL NUMBER	CUSTOMER			
			502078	SEE CHART	GENERAL			
DOCUMENT NUMBER			DOC TYPE	DOC PART	SHEET NUMBER			
5020780000			PSD	000	2 OF 3			



14.2	33.4	17.3	5020786160	61
C	B	(A)	オーダー番号 ORDER NO.	極数 CIRCUITS
			CONNECTOR SERIES NO.	502078**68

THIS DRAWING CONTAINS INFORMATION THAT IS PROPRIETARY TO MOLEX ELECTRONIC TECHNOLOGIES, LLC AND SHOULD NOT BE USED WITHOUT WRITTEN PERMISSION

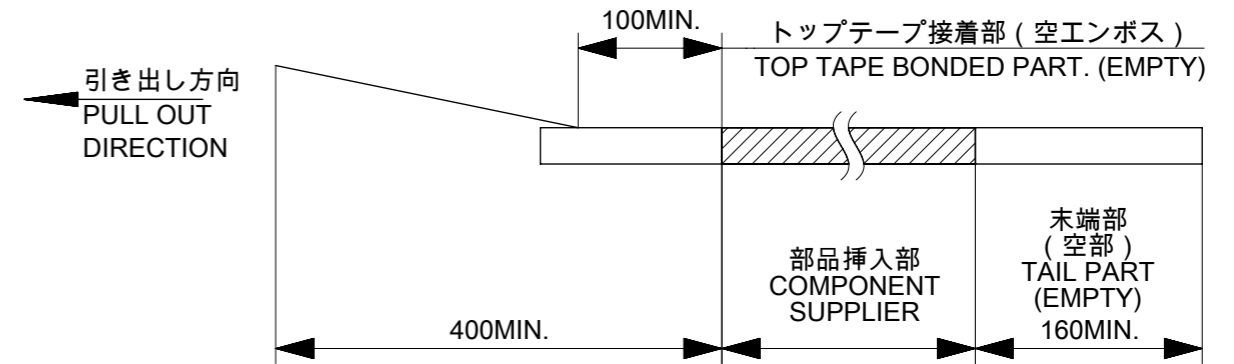
EC NO: 112948 DRWN: MTAKAHASHI04 CHK'D: YKOBAYASHI02 APPR: TKUSUHARA01	2016/08/09	2017/02/06	2017/02/07	GENERAL TOLERANCES (UNLESS SPECIFIED) ANGULAR TOL ± ° 4 PLACES ± 3 PLACES ± 2 PLACES ± 1 PLACE ± 0 PLACES ± DRAFT WHERE APPLICABLE MUST REMAIN WITHIN DIMENSIONS	DIMENSION UNITS	SCALE	<p>0.25MM PITCH FPC CONN HGT = 1.0 HSG ASSY EMBOSSSED TAPE PACKAGE</p> <p>PRODUCT CUSTOMER DRAWING</p>	
					MM	1:1		
	DRWN BY		DATE		ABABU01	2016/02/22		
	CHK'D BY		DATE		YKOBAYASHI02	2016/05/23		
	APPR BY		DATE		TKUSUHARA01	2016/05/24		
				DRAWING SIZE	THIRD ANGLE PROJECTION	SERIES: 502078 MATERIAL NUMBER: SEE CHART CUSTOMER: GENERAL		
				A3		DOCUMENT NUMBER: 5020780000 DOC TYPE: PSD DOC PART: 000 SHEET NUMBER: 3 OF 3		



DETAIL C

注記 NOTES

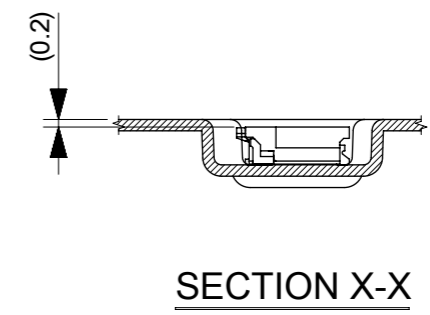
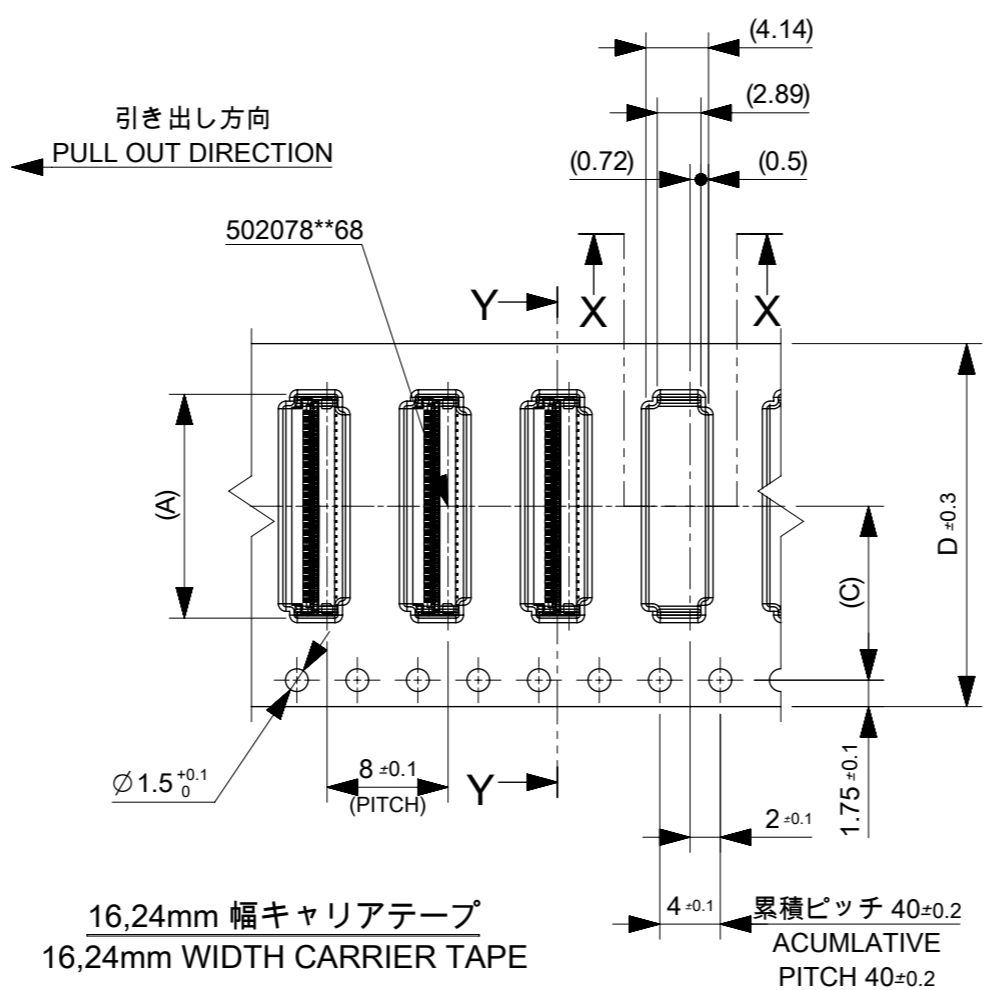
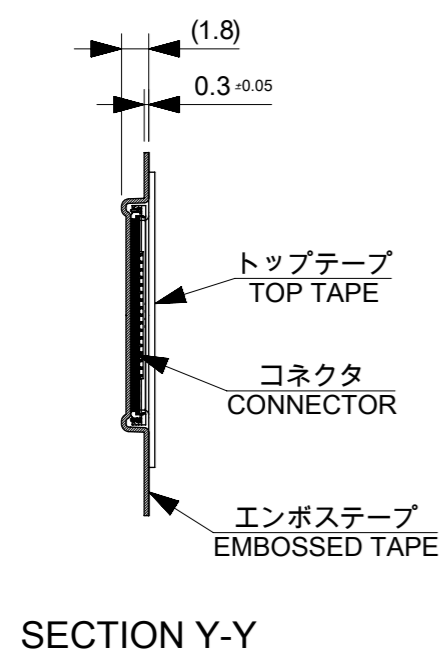
- 製品詳細寸法については製品単体図面を参照下さい。
DETAIL DIMENSION, SEE PRODUCT DRAWING
- 梱包数量 : 6000 個 / リール
NUMBER OF CONNECTORS : 6000 PCS/REEL
- リードテープ長さ LEAD TAPE LENGTH



- 材料 MATERIAL
キャリアテープ (CARRIER TAPE) : ポリスチレン (POLYSTYRENE)
トップテープ (TOP TAPE) : PET, PE, PEF
リール (REEL) : ポリスチレン (PS) <リサイクル材を含む>
POLYSTYRENE (PS) <RECYCLE MATERIAL CONTAINED>
- カバーテープの剥離強度については、IEC60286-3 に準拠
COVER TAPE PEEL FORCE IS DEFINED BY IEC 60286-3.

CONNECTOR SERIES NO. 502078**68

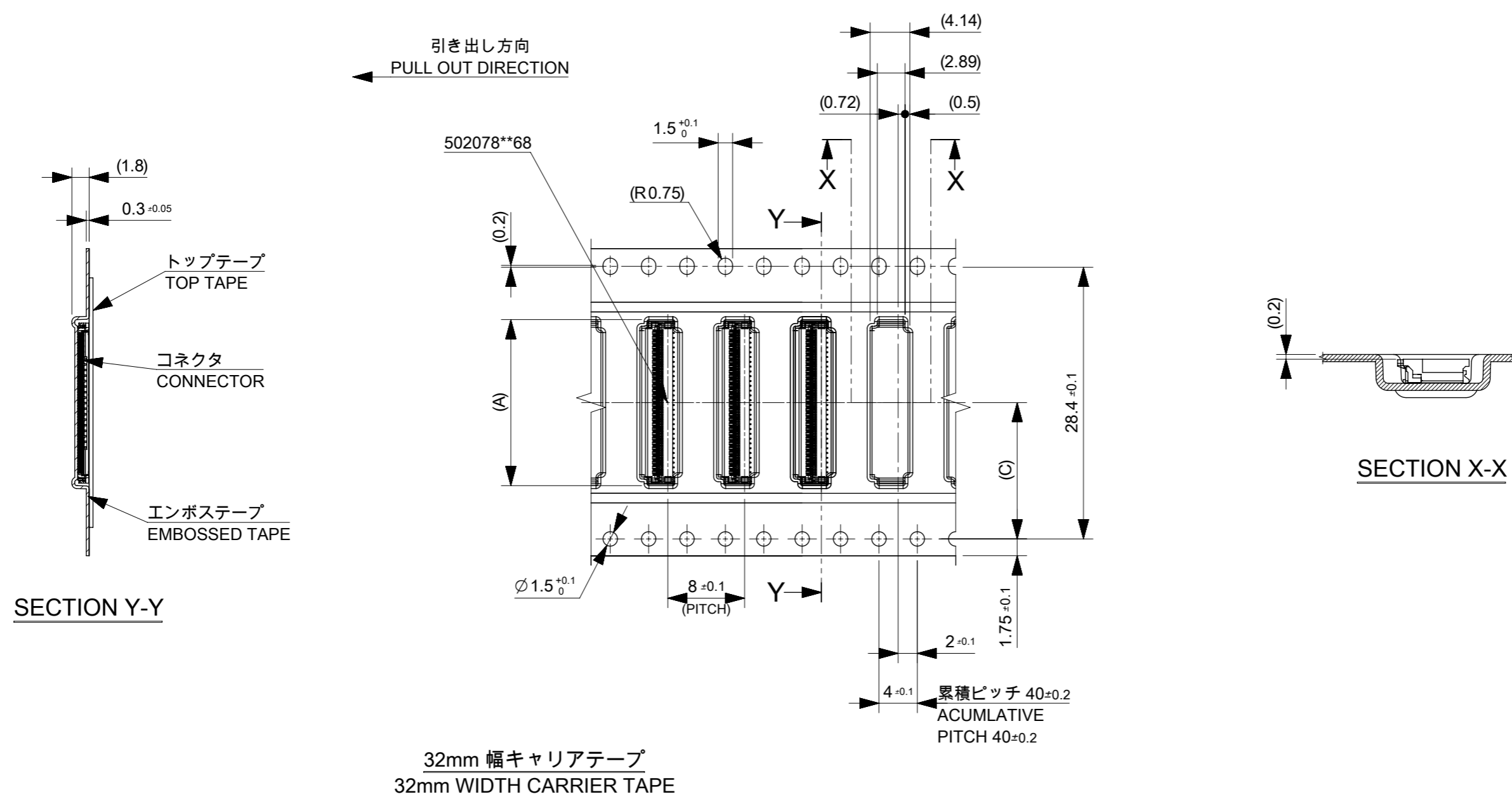
THIS DRAWING CONTAINS INFORMATION THAT IS PROPRIETARY TO MOLEX ELECTRONIC TECHNOLOGIES, LLC AND SHOULD NOT BE USED WITHOUT WRITTEN PERMISSION											
RELEASED	EC NO. 112453	DRWN: RYANAIDANI	CHK'D: KTAKAHASHI	APPR: MSASAO	GENERAL TOLERANCES (UNLESS SPECIFIED)	DIMENSION UNITS	SCALE	molex [®]			
	2016/11/24	2017/01/27	2017/01/27	2017/01/27	MM	1:1					
	ANGULAR TOL ± °	4 PLACES ±	3 PLACES ±	2 PLACES ±	1 PLACE ±	0 PLACES ±	DRWN BY	DATE	0.25MM PITCH FPC CONN HGT = 1.0 HSG ASSY EMBOSSED TAPE PACKAGE		
							RYANAIDANI	2016/11/24			
							CHK'D BY	DATE	PRODUCT CUSTOMER DRAWING		
						KTAKAHASHI	2017/01/27				
						APPR BY	DATE	SERIES MATERIAL NUMBER CUSTOMER			
						MSASAO	2017/01/27				
						DRAWING SIZE	THIRD ANGLE PROJECTION	502078 SEE CHART GENERAL			
						A3					
					DRAFT WHERE APPLICABLE MUST REMAIN WITHIN DIMENSIONS			DOCUMENT NUMBER DOC TYPE DOC PART SHEET NUMBER			
											5020780001 PSD 000 1 OF 3



24	11.5	25.4	15.3	5020785362	53
			14.8	5020785162	51
			13.3	5020784562	45
			11.8	5020783962	39
			11.3	5020783762	37
			10.3	5020783362	33
			8.3	5020782562	25
16	7.5	17.4	7.3	5020782162	21
			6.3	5020781762	17
D キャリアテープ幅 CARRIER TAPE WIDTH	C	B	(A)	オーダー番号 ORDER NO.	極数 CIRCUITS
				CONNECTOR SERIES NO.	502078**68

THIS DRAWING CONTAINS INFORMATION THAT IS PROPRIETARY TO MOLEX ELECTRONIC TECHNOLOGIES, LLC AND SHOULD NOT BE USED WITHOUT WRITTEN PERMISSION

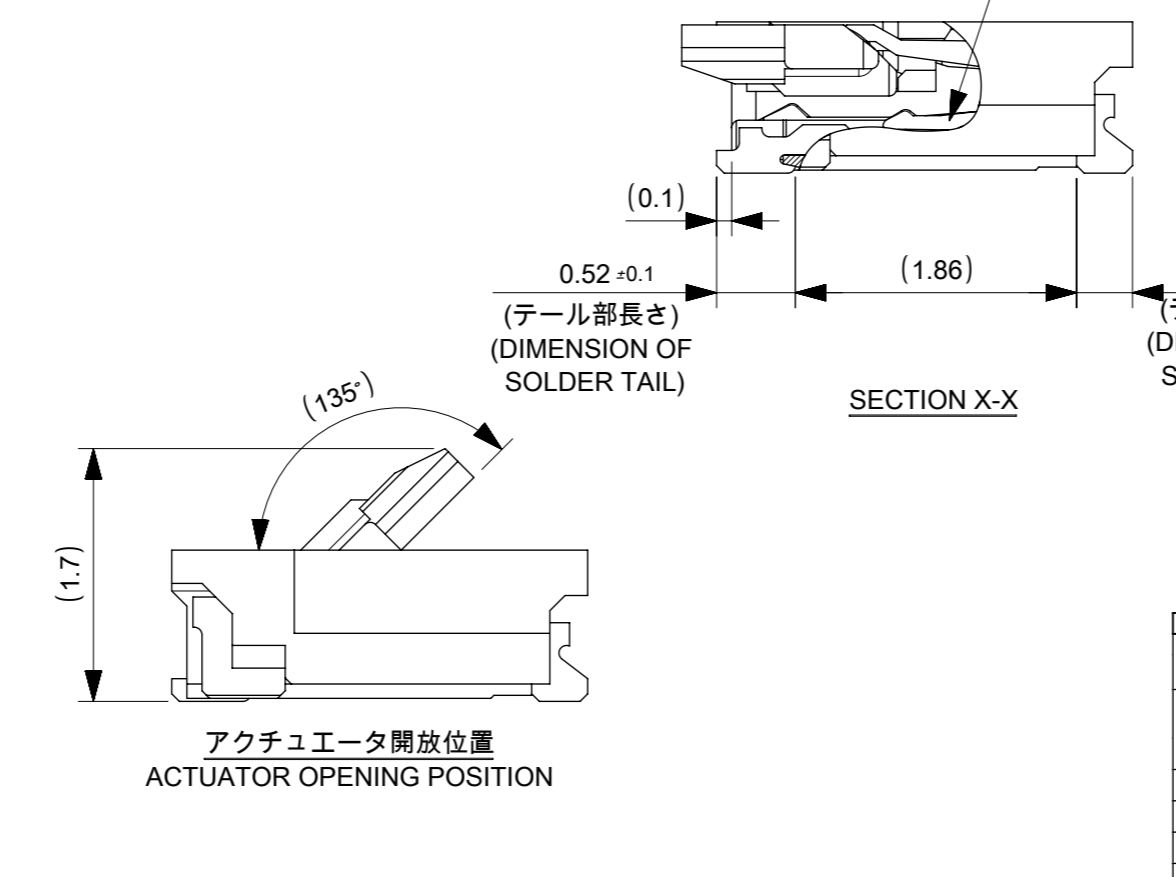
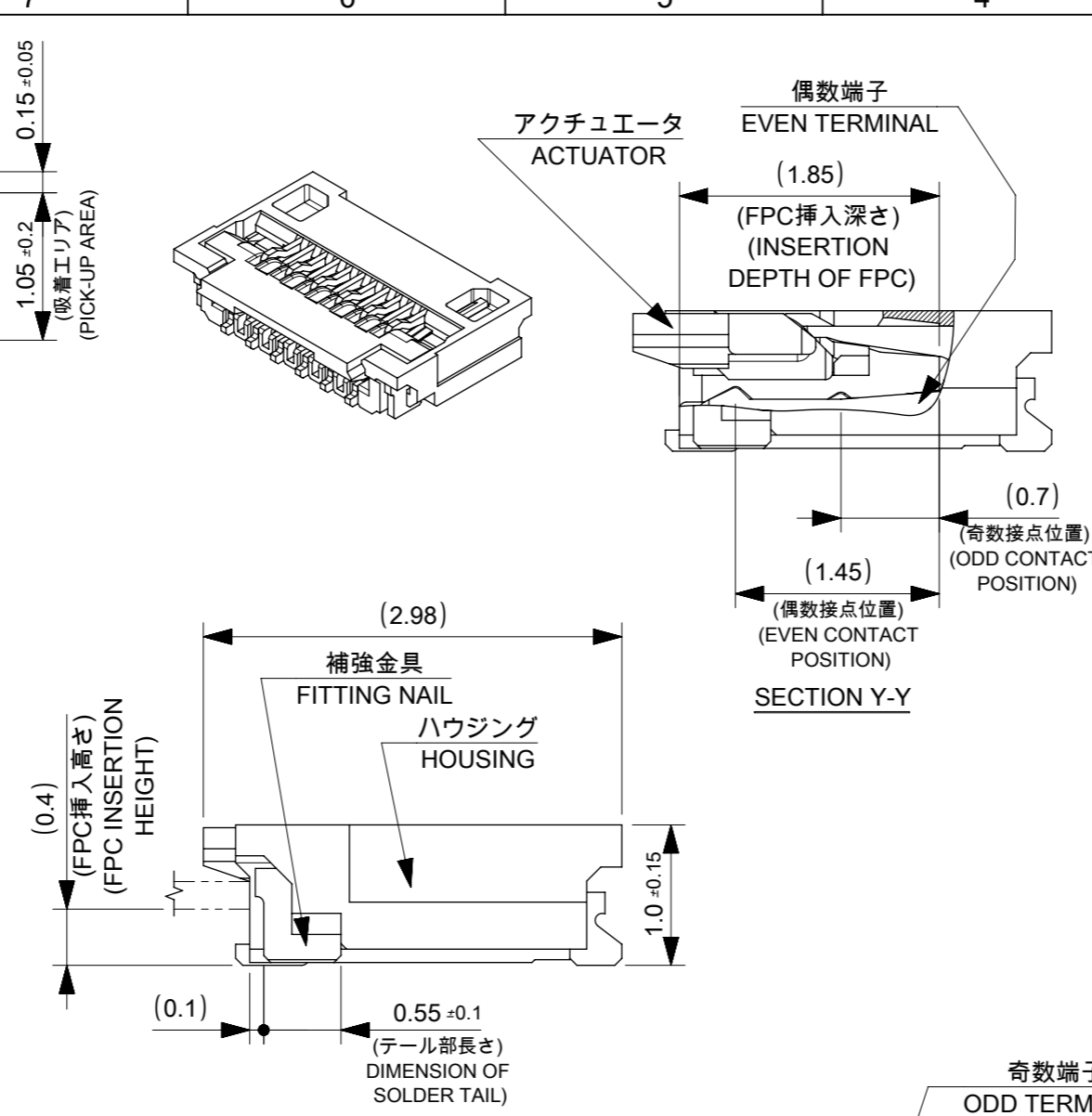
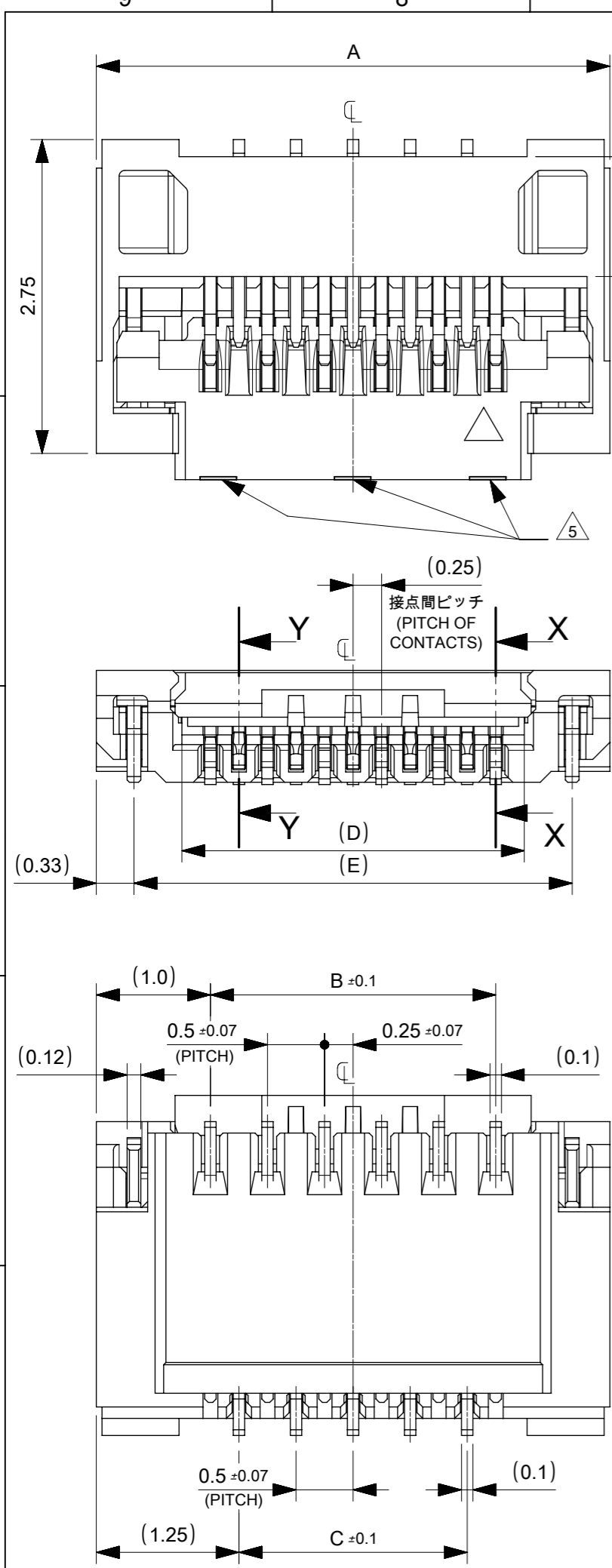
EC NO: 112453 DRWN: RYANAIDANI CHK'D: KTAKAHASHI APPR: MSASAO REV: A	2016/11/24 2017/01/27 2017/01/27	GENERAL TOLERANCES (UNLESS SPECIFIED) ANGULAR TOL ± ° 4 PLACES ± 3 PLACES ± 2 PLACES ± 1 PLACE ± 0 PLACES ±	DIMENSION UNITS: MM SCALE: 1:1	<p>0.25MM PITCH FPC CONN HGT = 1.0 HSG ASSY EMBOSSSED TAPE PACKAGE</p> <p>PRODUCT CUSTOMER DRAWING</p>	
	DRWN BY: RYANAIDANI DATE: 2016/11/24	CHK'D BY: KTAKAHASHI DATE: 2017/01/27	APPR BY: MSASAO DATE: 2017/01/27		SERIES: 502078 MATERIAL NUMBER: SEE CHART CUSTOMER: GENERAL
	DRAFT WHERE APPLICABLE MUST REMAIN WITHIN DIMENSIONS				DRAWING SIZE: A3 THIRD ANGLE PROJECTION
	RELEASE STATUS: P1 RELEASE DATE: 24.05.2016 07:26:32		DOCUMENT NUMBER: 5020780001 DOC TYPE: PSD DOC PART: 000 SHEET NUMBER: 2 OF 3		



14.2	33.4	17.3	5020786162	61
C	B	(A)	オーダー番号 ORDER NO.	極数 CIRCUITS
			CONNECTOR SERIES NO.	502078**68

THIS DRAWING CONTAINS INFORMATION THAT IS PROPRIETARY TO MOLEX ELECTRONIC TECHNOLOGIES, LLC AND SHOULD NOT BE USED WITHOUT WRITTEN PERMISSION

EC NO: 112453 DRWN: RYANAIDANI CHK'D: KTAKAHASHI APPR: MSASAO REV: A	2016/11/24 2017/01/27 2017/01/27	GENERAL TOLERANCES (UNLESS SPECIFIED) ANGULAR TOL ± ° 4 PLACES ± 3 PLACES ± 2 PLACES ± 1 PLACE ± 0 PLACES ±	DIMENSION UNITS: MM SCALE: 1:1	<p>0.25MM PITCH FPC CONN HGT = 1.0 HSG ASSY EMBOSSSED TAPE PACKAGE</p> <p>PRODUCT CUSTOMER DRAWING</p> <p>SERIES: 502078 MATERIAL NUMBER: SEE CHART CUSTOMER: GENERAL</p> <p>DOCUMENT NUMBER: 5020780001 DOC TYPE: PSD DOC PART: 000 SHEET NUMBER: 3 OF 3</p>	
	DRWN BY: RYANAIDANI DATE: 2016/11/24	CHK'D BY: KTAKAHASHI DATE: 2017/01/27	APPR BY: MSASAO DATE: 2017/01/27		DRAWING SIZE: A3 THIRD ANGLE PROJECTION
	DRAFT WHERE APPLICABLE MUST REMAIN WITHIN DIMENSIONS				
	RELEASED	EC NO: 112453	DRWN: RYANAIDANI CHK'D: KTAKAHASHI APPR: MSASAO		DIMENSION UNITS: MM SCALE: 1:1
	EC NO: 112453	DRWN: RYANAIDANI CHK'D: KTAKAHASHI APPR: MSASAO	GENERAL TOLERANCES (UNLESS SPECIFIED) ANGULAR TOL ± ° 4 PLACES ± 3 PLACES ± 2 PLACES ± 1 PLACE ± 0 PLACES ±		DIMENSION UNITS: MM SCALE: 1:1
	EC NO: 112453	DRWN: RYANAIDANI CHK'D: KTAKAHASHI APPR: MSASAO	GENERAL TOLERANCES (UNLESS SPECIFIED) ANGULAR TOL ± ° 4 PLACES ± 3 PLACES ± 2 PLACES ± 1 PLACE ± 0 PLACES ±		DIMENSION UNITS: MM SCALE: 1:1



注記 NOTES

1. 使用材料 MATERIALS
 ハウジング : 液晶ポリマー (UL94V-0、ベージュ)
 アクチュエータ : ポリアミド (UL94HB、黒色)
 端子 : リン青銅
 補強金具 : リン青銅
 HOUSING : LCP (BEIGE)
 ACTUATOR : PA (BLACK)
 TERMINAL : PHOSPHOR BRONZE
 FITTING NAIL : PHOSPHOR BRONZE
2. メッキ仕様 PLATING
 端子 TERMINAL
 接点部 : 金メッキ 0.1 μm 以上
 テール部 : 金メッキ
 下地 : ニッケルメッキ 1.0 μm 以上
 CONTACT AREA : Gold PLATING 0.1 μm MINIMUM
 TAIL AREA : Gold PLATING
 UNDER PLATING : Nickel PLATING 1.0 μm MINIMUM
 金具 FITTING NAIL
 表面 : スズメッキ 1.0 μm 以上
 下地 : ニッケルメッキ 1.0 μm 以上
 ALL OVER : Tin PLATING 1.0 μm MINIMUM
 UNDER PLATING : Nickel PLATING 1.0 μm MINIMUM
3. 端子、補強金具のコプラナリティーは0.1以下とする
 COPLANALITY OF SOLDER TAILS AND FITTING NAILS : 0.1 MAX.
4. 一般公差 : ± 0.3
 GENERAL TOLERANCES : ± 0.3
5. アクチュエータの図示箇所にゲート逃げの凹みがつきます (極数により、レイアウトが異なります)
 THERE ARE DENT SHAPES AT ACTUATOR FOR MOLDING GATE (LAYOUT DIFFER ACCORDING TO CIRCUIT NUMBER)
6. ELV & RoHS 適合品
 ELV & RoHS COMPLIANT
7. 塩素系・臭素系難燃剤非使用
 CHLORINATED AND BROMINATED FLAME RETARDANTS FREE

16.34	15.5	14.5	15	17	5020786160	5020786168	61
14.34	13.5	12.5	13	15	5020785360	5020785368	53
13.84	13	12	12.5	14.5	5020785160	5020785168	51
12.34	11.5	10.5	11	13	5020784560	5020784568	45
10.84	10	9	9.5	11.5	5020783960	5020783968	39
10.34	9.5	8.5	9	11	5020783760	5020783768	37
9.34	8.5	7.5	8	10	5020783360	5020783368	33
7.34	6.5	5.5	6	8	5020782560	5020782568	25
6.34	5.5	4.5	5	7	5020782160	5020782168	21
5.34	4.5	3.5	4	6	5020781760	5020781768	17
4.34	3.5	2.5	3	5	5020781360	5020781368	13
E	D	C	B	A	ORDER No.	MATERIAL No.	CIRCUIT =N

CONNECTOR SERIES No. 502078**68

THIS DRAWING CONTAINS INFORMATION THAT IS PROPRIETARY TO MOLEX ELECTRONIC TECHNOLOGIES, LLC AND SHOULD NOT BE USED WITHOUT WRITTEN PERMISSION

DIMENSION UNITS: mm SCALE: 20:1 CURRENT REV DESC: REVISED

GENERAL TOLERANCES (UNLESS SPECIFIED):

ANGULAR TOL ± °

4 PLACES ±

3 PLACES ±

2 PLACES ±

1 PLACE ±

0 PLACES ±

DRAFT WHERE APPLICABLE MUST REMAIN WITHIN DIMENSIONS

THIRD ANGLE PROJECTION

DRAWING: A3-SIZE

SERIES: 502078

MATERIAL NUMBER: SEE CHART

CUSTOMER: GENERAL

SHEET NUMBER: 1 OF 2

EC NO: 171125
 DRWN: MTAKAHASHI04 2018/01/19
 CHK'D: KTAKAHASHI 2018/01/23
 APPR: NUKITA 2018/01/23

INITIAL REVISION:
 DRWN: NVELUSAMY 2016/02/18
 APPR: TKUSUHARA01 2016/05/24

PRODUCT CUSTOMER DRAWING

DOCUMENT NUMBER: 5020781000

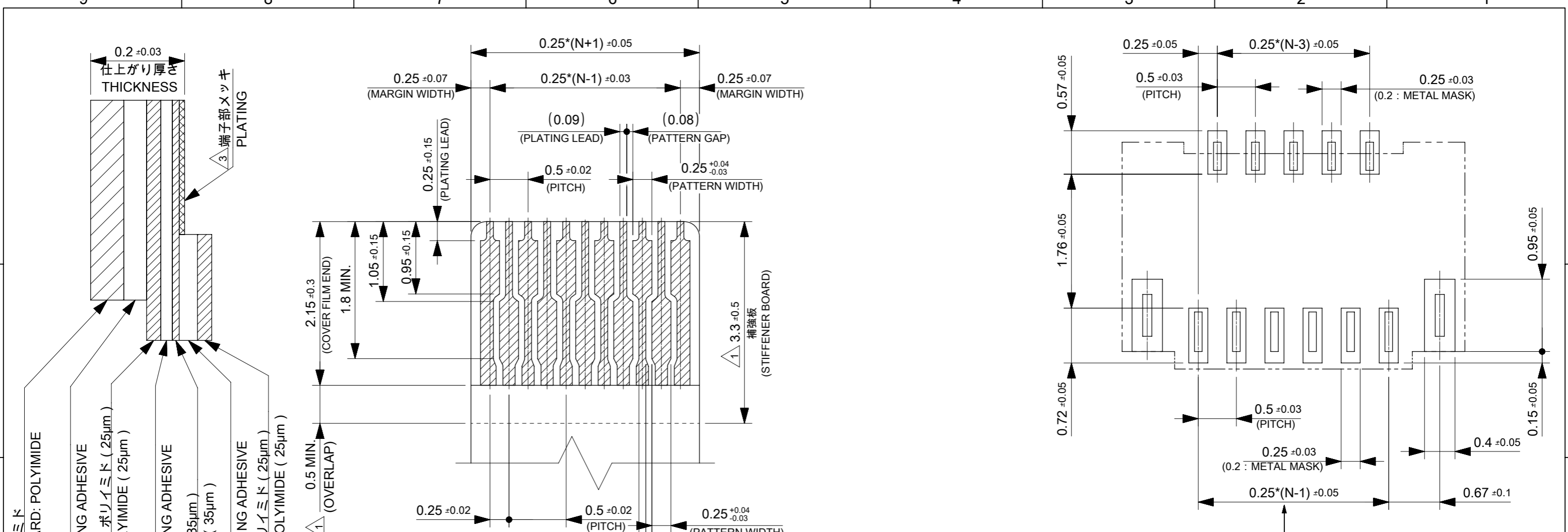
DOC TYPE: PSD

DOC PART: 000

REVISION: C

molex

0.25 PITCH FPC CONN E/O
 HGT=1.0 BTM CONTACT TYPE



補強板：ポリイミド
STIFFENER BOARD: POLYIMIDE
熱硬化接着剤
THERMOSETTING ADHESIVE
ペースフィルム：ポリイミド (25µm)
BASE FILM: POLYIMIDE (25µm)
熱硬化接着剤
THERMOSETTING ADHESIVE
導体部：銅箔 (35µm)
CONDUCTOR: COPPER (35µm)
熱硬化接着剤
THERMOSETTING ADHESIVE
カバーレイ：ポリイミド (25µm)
COVER FILM: POLYIMIDE (25µm)

FPC 構成材料例
EXAMPLE OF FPC
COMPOSITION MATERIAL

適合するFPC推奨寸法
APPLICABLE FPC
RECOMMENDED DIMENSION
(端子部仕上がり厚さ：0.2±0.03)
(THICKNESS: 0.2±0.03)

注記 NOTES

1. 補強板長さが図面通り確保できない場合は、カバーレイと補強板のオーバーラップ寸法を0.5mm以上としてください
WHEN STIFFENER BOARD DIMENSION CAN NOT SECURE AS DRAWING, PLEASE GIVE THE OVERLAP SIZE OF COVER FILM AND STIFFENER BOARD AS 0.5mm MINIMUM

2. 推奨ペースト厚：100µm
推奨マスク開口率：80%
RECOMMEND SCREEN THICKNESS：100µm
RECOMMEND SCREEN OPEN RATIO：80%

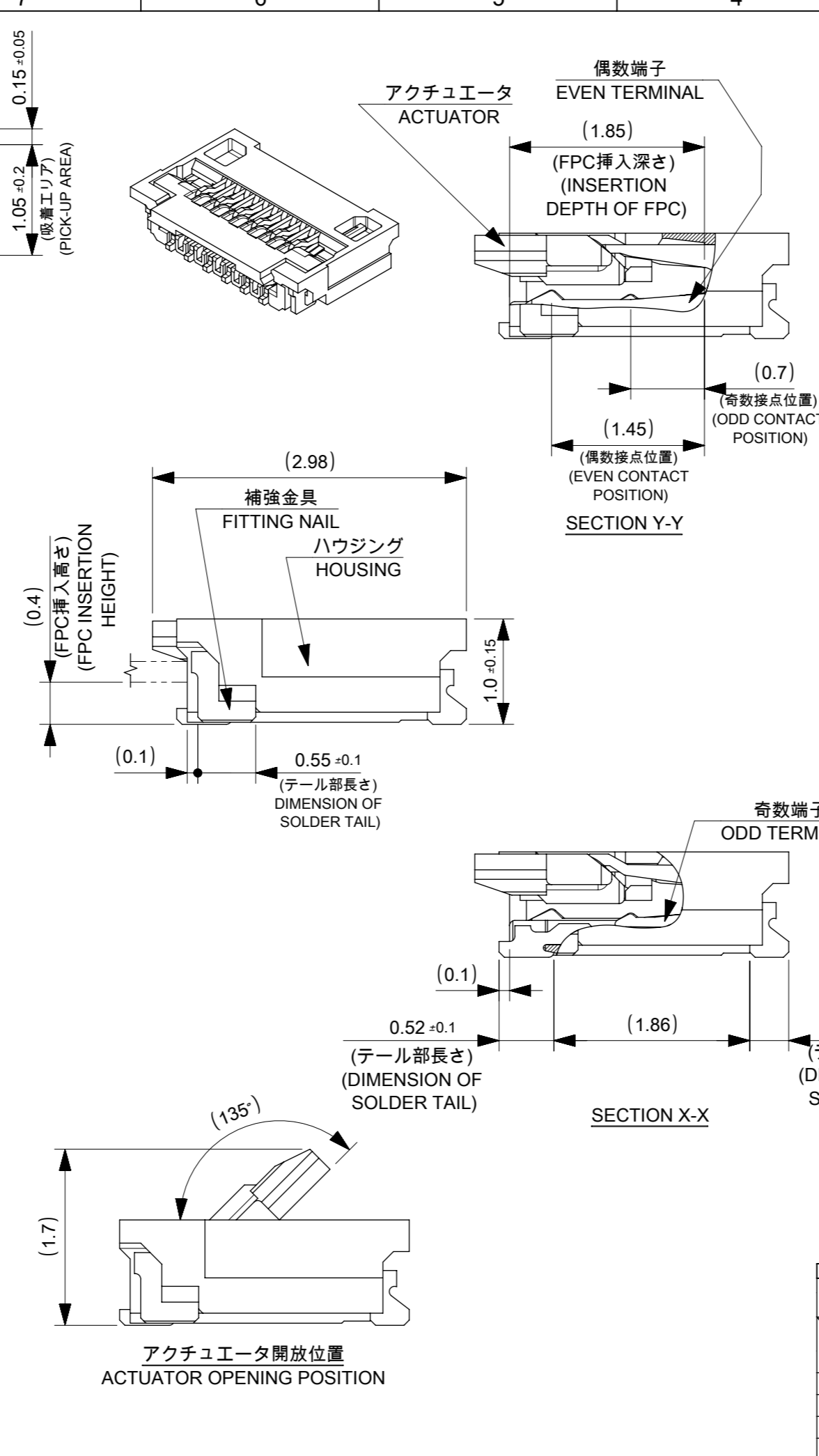
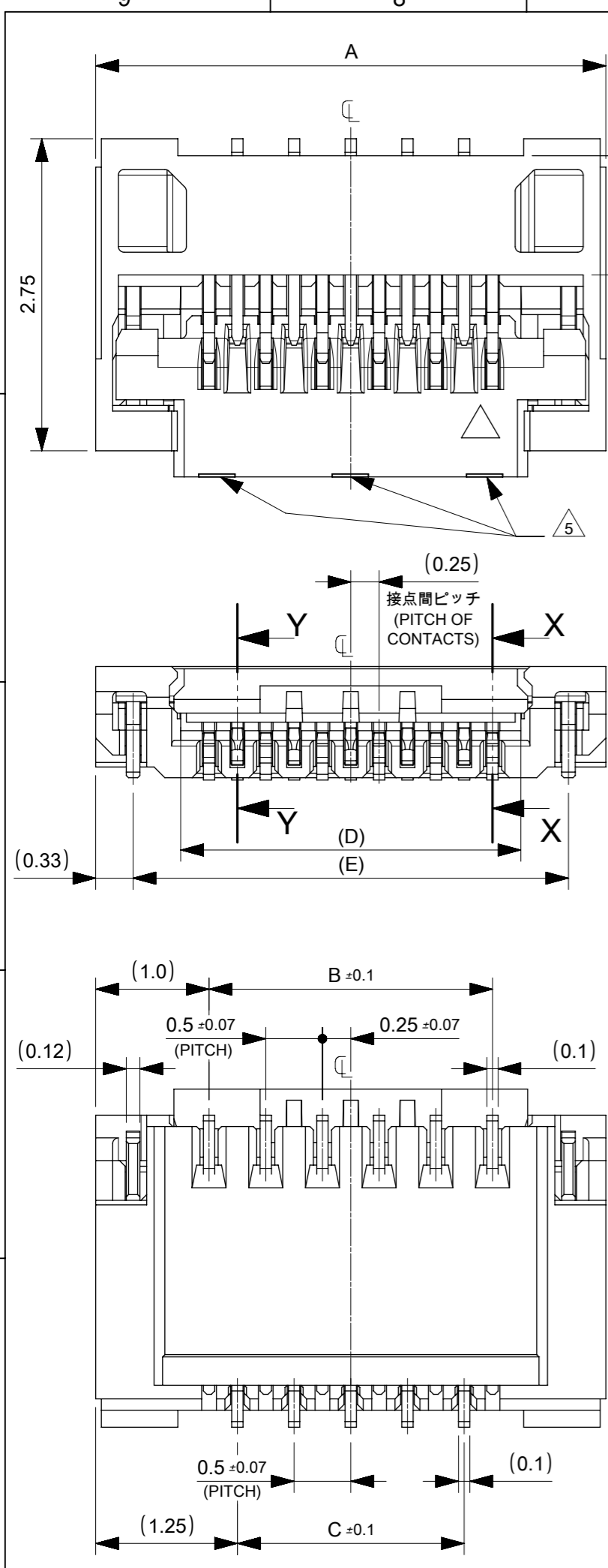
3. FPCパターンのメッキ仕様は
金メッキ：0.1µm以上
下地ニッケルメッキ：2~6µm
FPC PATTERN PLATING
GOLD PLATING：0.1µm MINIMUM
NICKEL UNDER PLATING：2~6µm

4. FPCについて (ABOUT FPC)
抜き方向は、導体側から補強板側を推奨します
補強板材質は、ポリイミドを推奨します
接着剤は熱硬化接着剤を推奨します
なお、接着剤の接点部への付着は導通不良の原因となりますので染み出しがないよう、お願いします。
FPCに規定された定格温度がFPC単体前提である場合が御座います。
コネクタと組み合わせての実使用に置いて、接着層が劣化するなどの信頼性を満足できないケースを回避するため、実機での評価/確認をお願い致します。

RECOMMENDED PUNCHER DIRECTION: FROM CONDUCTOR SIDE TO STIFFENER BOARD SIDE
RECOMMENDED MATERIAL: STIFFENER BOARD: POLYIMIDE
BONDING AGENT: THERMOSETTING AGENT
PLEASE PUT APPROPRIATE AMOUNT OF ADHESIVE ON THE CONTACT AREA BECAUSE THE EXTRA ADHESIVE MAY CAUSE THE DEFECT IN ELECTRICAL CONTINUITY.

NOTE: WHEN ACTUALLY USING IT WITH CONNECTOR, PLEASE DO THE EVALUATION AND THE CONFIRMATION WITH AN ACTUAL EQUIPMENT TO EVADE THE CASE WHERE RELIABILITY CANNOT BE FILLED (THE ADHESIVE LINE OF FPC IS DETERIORATED ETC.)

THIS DRAWING CONTAINS INFORMATION THAT IS PROPRIETARY TO MOLEX ELECTRONIC TECHNOLOGIES, LLC AND SHOULD NOT BE USED WITHOUT WRITTEN PERMISSION									
DIMENSION UNITS		SCALE		CURRENT REV DESC: REVISED					
mm		20:1		<p>0.25 PITCH FPC CONN E/O HGT=1.0 BTM CONTACT TYPE</p> <p>PRODUCT CUSTOMER DRAWING</p>					
GENERAL TOLERANCES (UNLESS SPECIFIED)									
ANGULAR TOL ± °									
4 PLACES ±		EC NO: 171125							
3 PLACES ±		DRWN: MTAKAHASHI04 2018/01/19							
2 PLACES ±		CHK'D: KTAKAHASHI 2018/01/23							
1 PLACE ±		APPR: NUKITA 2018/01/23							
0 PLACES ±		INITIAL REVISION:		DOCUMENT NUMBER					
DRAFT WHERE APPLICABLE MUST REMAIN WITHIN DIMENSIONS		THIRD ANGLE PROJECTION		DRAWING		SERIES		MATERIAL NUMBER	
		A3-SIZE		502078		5020781000		CUSTOMER	
						GENERAL		SHEET NUMBER	
						2 OF 2			



注記 NOTES

1. 使用材料 MATERIALS
 ハウジング : 液晶ポリマー (UL94V-0、ベージュ)
 アクチュエータ : ポリアミド (UL94HB、黒色)
 端子 : リン青銅
 補強金具 : リン青銅
 HOUSING : LCP (BEIGE)
 ACTUATOR : PA (BLACK)
 TERMINAL : PHOSPHOR BRONZE
 FITTING NAIL : PHOSPHOR BRONZE
2. メッキ仕様 PLATING
 端子 TERMINAL
 接点部 : 金メッキ 0.1 μm 以上
 テール部 : 金メッキ
 下地 : ニッケルメッキ 1.0 μm 以上
 CONTACT AREA : Gold PLATING 0.1 μm MINIMUM
 TAIL AREA : Gold PLATING
 UNDER PLATING : Nickel PLATING 1.0 μm MINIMUM
 金具 FITTING NAIL
 表面 : スズメッキ 1.0 μm 以上
 下地 : ニッケルメッキ 1.0 μm 以上
 ALL OVER : Tin PLATING 1.0 μm MINIMUM
 UNDER PLATING : Nickel PLATING 1.0 μm MINIMUM
3. 端子、補強金具のコプラナリティーは0.1以下とする
 COPLANALITY OF SOLDER TAILS AND FITTING NAILS : 0.1 MAX.
4. 一般公差 : ± 0.3
 GENERAL TOLERANCES: ± 0.3
5. アクチュエータの図示箇所にゲート逃げの凹みがつきます (極数により、レイアウトが異なります)
 THERE ARE DENT SHAPES AT ACTUATOR FOR MOLDING GATE (LAYOUT DIFFER ACCORDING TO CIRCUIT NUMBER)
6. ELV & RoHS 適合品
 ELV & RoHS COMPLIANT
7. 塩素系・臭素系難燃剤非使用
 CHLORINATED AND BROMINATED FLAME RETARDANTS FREE

16.34	15.5	14.5	15	17	5020786162	5020786168	61
14.34	13.5	12.5	13	15	5020785362	5020785368	53
13.84	13	12	12.5	14.5	5020785162	5020785168	51
12.34	11.5	10.5	11	13	5020784562	5020784568	45
10.84	10	9	9.5	11.5	5020783962	5020783968	39
10.34	9.5	8.5	9	11	5020783762	5020783768	37
9.34	8.5	7.5	8	10	5020783362	5020783368	33
7.34	6.5	5.5	6	8	5020782562	5020782568	25
6.34	5.5	4.5	5	7	5020782162	5020782168	21
5.34	4.5	3.5	4	6	5020781762	5020781768	17
4.34	3.5	2.5	3	5	5020781362	5020781368	13
E	D	C	B	A	ORDER No.	MATERIAL No.	CIRCUIT =N

CONNECTOR SERIES No. 502078**68

THIS DRAWING CONTAINS INFORMATION THAT IS PROPRIETARY TO MOLEX ELECTRONIC TECHNOLOGIES, LLC AND SHOULD NOT BE USED WITHOUT WRITTEN PERMISSION

CURRENT REV DESC: REVISED

SCALE: 20:1

mm

GENERAL TOLERANCES (UNLESS SPECIFIED)

ANGULAR TOL ± °

4 PLACES ±

3 PLACES ±

2 PLACES ±

1 PLACE ±

0 PLACES ±

DRAFT WHERE APPLICABLE MUST REMAIN WITHIN DIMENSIONS

THIRD ANGLE PROJECTION

DRAWING A3-SIZE

SERIES 502078

MATERIAL NUMBER SEE CHART

CUSTOMER GENERAL

SHEET NUMBER 1 OF 2

EC NO: 171125
 DRWN: MTAKAHASHI04 2018/01/19
 CHK'D: KTAKAHASHI 2018/01/23
 APPR: NUKITA 2018/01/23

INITIAL REVISION:
 DRWN: RYANAIDANI 2016/11/24
 APPR: MSASAO 2017/01/27

molex

0.25 PITCH FPC CONN E/O
 HGT=1.0 BTM CONTACT TYPE

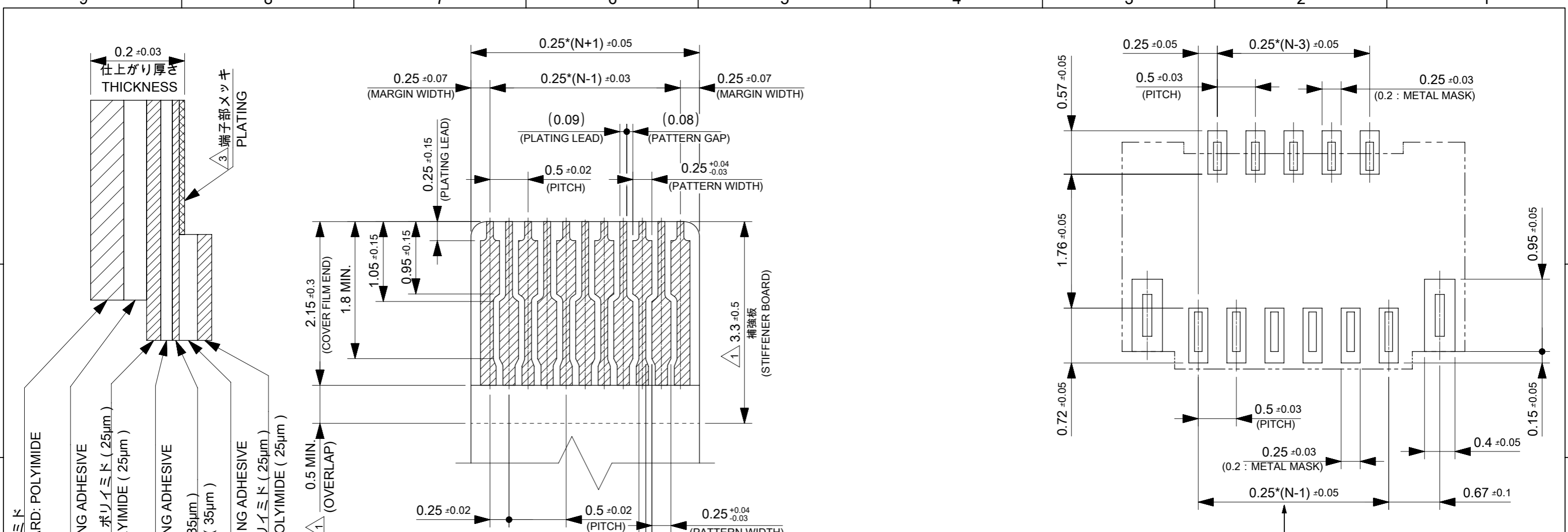
PRODUCT CUSTOMER DRAWING

DOCUMENT NUMBER 5020781001

DOC TYPE PSD

DOC PART 000

REVISION B



補強板：ポリイミド
STIFFENER BOARD: POLYIMIDE
熱硬化接着剤
THERMOSETTING ADHESIVE
ペースフィルム：ポリイミド (25µm)
BASE FILM: POLYIMIDE (25µm)
熱硬化接着剤
THERMOSETTING ADHESIVE
導体部：銅箔 (35µm)
CONDUCTOR: COPPER (35µm)
熱硬化接着剤
THERMOSETTING ADHESIVE
カバーレイ：ポリイミド (25µm)
COVER FILM: POLYIMIDE (25µm)

FPC 構成材料例
EXAMPLE OF FPC
COMPOSITION MATERIAL

適合するFPC推奨寸法
APPLICABLE FPC
RECOMMENDED DIMENSION
(端子部仕上がり厚さ：0.2±0.03)
(THICKNESS: 0.2±0.03)

注記 NOTES

1. 補強板長さが図面通り確保できない場合は、カバーレイと補強板のオーバーラップ寸法を0.5mm以上としてください
WHEN STIFFENER BOARD DIMENSION CAN NOT SECURE AS DRAWING, PLEASE GIVE THE OVERLAP SIZE OF COVER FILM AND STIFFENER BOARD AS 0.5mm MINIMUM

2. 推奨ペースト厚：100µm
推奨マスク開口率：80%
RECOMMEND SCREEN THICKNESS：100µm
RECOMMEND SCREEN OPEN RATIO：80%

3. FPCパターンのメッキ仕様は
金メッキ：0.1µm以上
下地ニッケルメッキ：2~6µm
FPC PATTERN PLATING
GOLD PLATING：0.1µm MINIMUM
NICKEL UNDER PLATING：2~6µm

4. FPCについて (ABOUT FPC)
抜き方向は、導体側から補強板側を推奨します
補強板材質は、ポリイミドを推奨します
接着剤は熱硬化接着剤を推奨します
なお、接着剤の接点部への付着は導通不良の原因となりますので染み出しがないよう、お願いします。
FPCに規定された定格温度がFPC単体前提である場合が御座います。
コネクタと組み合わせての実使用に置いて、接着層が劣化するなどの信頼性を満足できないケースを回避するため、実機での評価/確認をお願い致します。

RECOMMENDED PUNCHER DIRECTION: FROM CONDUCTOR SIDE TO STIFFENER BOARD SIDE
RECOMMENDED MATERIAL: STIFFENER BOARD: POLYIMIDE
BONDING AGENT: THERMOSETTING AGENT
PLEASE PUT APPROPRIATE AMOUNT OF ADHESIVE ON THE CONTACT AREA BECAUSE THE EXTRA ADHESIVE MAY CAUSE THE DEFECT IN ELECTRICAL CONTINUITY.

NOTE: WHEN ACTUALLY USING IT WITH CONNECTOR, PLEASE DO THE EVALUATION AND THE CONFIRMATION WITH AN ACTUAL EQUIPMENT TO EVADE THE CASE WHERE RELIABILITY CANNOT BE FILLED (THE ADHESIVE LINE OF FPC IS DETERIORATED ETC.)

THIS DRAWING CONTAINS INFORMATION THAT IS PROPRIETARY TO MOLEX ELECTRONIC TECHNOLOGIES, LLC AND SHOULD NOT BE USED WITHOUT WRITTEN PERMISSION									
DIMENSION UNITS		SCALE		CURRENT REV DESC: REVISED					
mm		20:1		<p>0.25 PITCH FPC CONN E/O HGT=1.0 BTM CONTACT TYPE</p> <p>PRODUCT CUSTOMER DRAWING</p>					
GENERAL TOLERANCES (UNLESS SPECIFIED)									
ANGULAR TOL ± °									
4 PLACES ±									
3 PLACES ±									
2 PLACES ±									
1 PLACE ±				EC NO: 171125		DRWN: MTAKAHASHI04 2018/01/19		CHK'D: KTAKAHASHI 2018/01/23	
0 PLACES ±				INITIAL REVISION:		APPR: NUKITA 2018/01/23		DOCUMENT NUMBER	
DRAFT WHERE APPLICABLE MUST REMAIN WITHIN DIMENSIONS				THIRD ANGLE PROJECTION		DRAWING		SERIES	
				A3-SIZE		502078		MATERIAL NUMBER	
				SEE SHEET 1		CUSTOMER		SHEET NUMBER	
				GENERAL		2 OF 2			