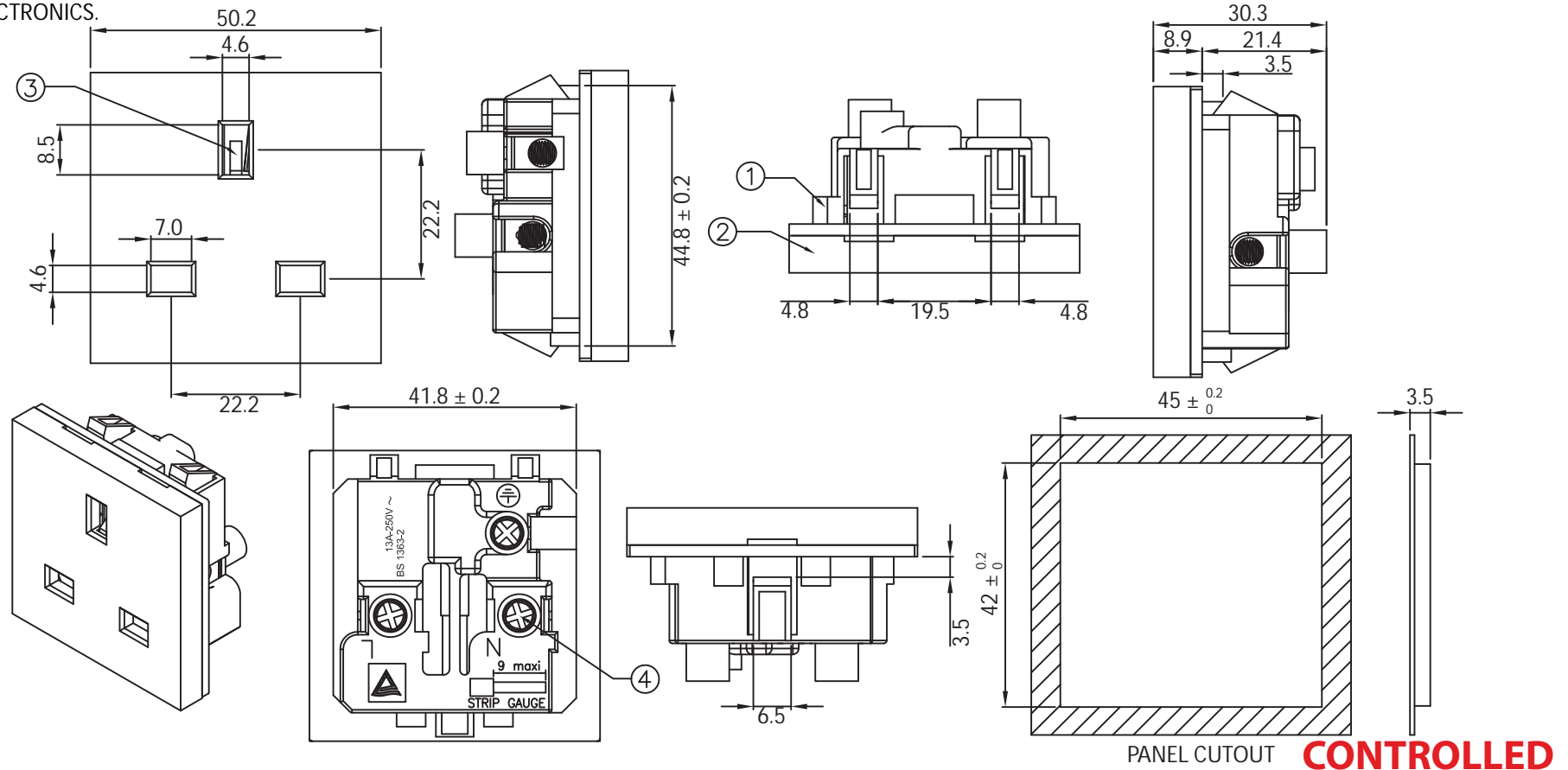


THESE DRAWINGS ARE THE PROPERTY OF QUALTEK ELECTRONICS AND NOT TO BE REPRODUCED FOR OR COMMUNICATED TO A THIRD PARTY WITHOUT THE EXPRESS WRITTEN PERMISSION OF AN OFFICER OF QUALTEK ELECTRONICS.

REVISION			
REV.	DESCRIPTION	DATE	APPROVED
B	Updated Approvals	10-03-19	LY



PANEL CUTOUT **CONTROLLED**

NOTES:

RATING: 13A 250V AC  
 APPROVALS: TUV  
 PANEL THICKNESS: 3.5mm  
 RoHS COMPLIANT

4	Screw M4*0.7mm Brass	3
3	Shutter Insulator PC White Color	1
2	Top Cover Insulator PC White Color	1
1	Body Insulator PC Black Color	1

Dim range (mm)	Tolerance +/- (mm)	Qualtek Electronics Corp. PPC DIVISION		
		Part Number: 741W-C/01		RoHS Compliant
0-1	0.15	Description: AC RECEPTACLE		
1-6	0.20			
6-18	0.30	UNIT: mm	REV. B	
18-50	0.50			
50-120	0.70	Drawn / Date	Checked / Date	Approved / Date
120-250	0.90	R.Nuti 04-17-08	04-17-08	JJH / 04-17-08
250-500	1.20			