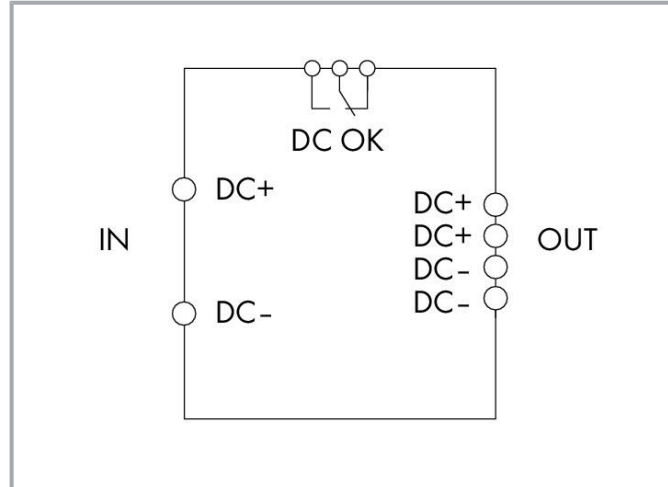


Data sheet | Item number: 787-881

capacitive buffer module; 24 VDC input voltage; 24 VDC output voltage; 20 A output current; 0.17 ... 16.5 s buffer time; communication capability; 10,00 mm²

www.wago.com/787-881



Item description

Features:

- Capacitive buffer module bridges short duration voltage drops or load fluctuations.
- For an uninterruptible power supply
- Internal diode between input and output enables operation with a decoupled output.
- Buffer modules can be readily parallel-connected to increase buffer time or load current.
- Potential-free contact for charge condition monitoring

Subject to changes. Please also observe the further product documentation!

WAGO GmbH & Co. KG
Hansastr. 27
32423 Minden
Phone: +49571 887-0 | Fax: +49571 887-169
Email: info.de@wago.com | Web: www.wago.com

Do you have any questions about our products?
We are always happy to take your call at +49 (571) 887-44222.



Data

Technical data

Input

Nominal input voltage $U_{i\text{nom}}$	DC 24 V
Input voltage range	DC 20 ... 30 V
Nominal mains frequency range	0 Hz
Input current I_i	≤ 0.06 A (No load); ≤ 1 A (Charging); ≤ 22 A

Output

Nominal output voltage $U_{o\text{nom}}$	DC 24 V
Output voltage range	$U_i - 1$ VDC (rated operation); 20.4 ... 24 VDC (buffer mode)
Nominal output current $I_{o\text{nom}}$	20 A
Current limitation	$1.1 \times I_{o\text{nom}}$ (typ.)

Energy storage system

Buffer time	0.17 ... 16.5 s depends on load current and switch-on threshold
Switch-on threshold (adjustable)	DC 20 ... 24 V
Charging time (typ.)	5 min

Signaling and Communication

Signaling	1 x LED DC OK (green) 1 x Charge LED (yellow) 1 x DC not OK LED (red)
Operation status indicator	Green LED ($U_o > 20$ V) Yellow LED (charging) Red LED ($U_o < 20$ V)

Efficiency/power losses

Power loss P_l	≤ 1.5 W; ≤ 15 W (nominal load)
------------------	--

Subject to changes. Please also observe the further product documentation!



Safety and protection

Protection class	III
Protection type	IP20; per EN 60529
Reverse voltage protection	yes
Pollution degree	2
Parallel operation	Yes
Series operation	No
MTBF	typ. 87,600 h (at 25 °C); typ. 30,500 h (at 40 °C)

Connection data

Connection type 1	Input/Output
Connection technology	CAGE CLAMP®
WAGO connector	WAGO 231 Series
Solid conductor	0.5 ... 10 mm ² / 20 ... 8 AWG
Fine-stranded conductor	0.5 ... 10 mm ² / 20 ... 8 AWG
Strip length	13 ... 15 mm / 0.51 ... 0.59 inches
Connection type 2	Relay
Connection technology 2	CAGE CLAMP®
WAGO connector 2	WAGO 231 Series
Solid conductor 2	0.08 ... 2.5 mm ² / 28 ... 12 AWG
Fine-stranded conductor 2	0.08 ... 2.5 mm ² / 28 ... 12 AWG
Strip length 2	8 ... 9 mm / 0.31 ... 0.35 inches

Physical data

Width	57 mm / 2.244 inches
Height	181 mm / 7.126 inches
Depth from upper-edge of DIN-rail	179 mm / 7.047 inches
Note (dimensions)	Height with connector

Mechanical Data

Mounting type	DIN-35 rail
---------------	-------------

Material Data

Fire load	0.432 MJ
-----------	----------

Subject to changes. Please also observe the further product documentation!

Weight	1000 g
--------	--------

Environmental requirements

Ambient temperature (operation)	-10 ... +50 °C
Ambient temperature (storage)	-10 ... +60 °C
Relative humidity	5 ... 96 % (no condensation permissible)

Standards and specifications

Conformity marking	CE
Standards/specifications	EN 60950 UL 508 EN 61000-6-2 EN 61000-6-3

Commercial data


Product Group	6 (INTERFACE ELECTRONIC)
eCl@ss 10.0	27-04-07-01
eCl@ss 9.0	27-04-07-01
ETIM 8.0	EC002540
ETIM 7.0	EC002540
PU (SPU)	1 pcs
Packaging type	box
Country of origin	DE
GTIN	4045454909826
Customs tariff number	85049017000

Environmental Product Compliance

RoHS Compliance Status	Compliant, No Exemption
------------------------	-------------------------

Approvals / Certificates

General approvals


Logo	Approval	Additional Approval Text	Certificate name
	EAC Brjansker Zertifizierungsstelle	TP TC 020/2011	RU_C-DE. AM02.B. 00093-19
	UL	UL 508	E255817

Subject to changes. Please also observe the further product documentation!



Underwriters Laboratories Inc.

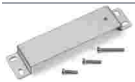
Declarations of conformity and manufacturer's declarations

Logo	Approval	Additional Approval Text	Certificate name
	EU-Declaration of Conformity WAGO GmbH & Co. KG	-	-

Optional accessories

Mounting adapter

Wall-mount adapter



Item no.: 787-895

Mounting carrier; for screw fixing of 787-8xx devices on mounting plate or wall without DIN 35 rail

www.wago.com/787-895

DIN-rail adapter



Item no.: 787-897

Carrier rail adapter made of zinc die-cast; for mounting 787-8xx devices to a DIN 35 rail

www.wago.com/787-897



Item no.: 787-896

Carrier rail adapter; for mounting 787-8xx devices to a DIN 35 rail

www.wago.com/787-896

Marking accessories

Marking strip



Item no.: 2009-110

Marking strips; for Smart Printer; on reel; not stretchable; plain; snap-on type; white

www.wago.com/2009-110



Item no.: 210-831

Marking strips; on reel; 2.3 mm wide; plain; Self-adhesive; white

www.wago.com/210-831



Item no.: 210-832

Marking strips; on reel; 3 mm wide; plain; Self-adhesive; white

www.wago.com/210-832

Marker



Item no.: 2009-145

Mini-WSB Inline; for Smart Printer; 1700 pieces on roll; stretchable 5 - 5.2 mm; plain; snap-on type; white

www.wago.com/2009-145

Subject to changes. Please also observe the further product documentation!

WAGO GmbH & Co. KG

Hansastr. 27

32423 Minden

Phone: +49571 887-0 | Fax: +49571 887-169

Email: info.de@wago.com | Web: www.wago.com

Do you have any questions about our products?

We are always happy to take your call at +49 (571) 887-44222.



Item no.: 2009-115

WMB-Inline; for Smart Printer; 1500 pieces on roll; stretchable 5 - 5.2 mm; plain; snap-on type; white

www.wago.com/2009-115



Item no.: 248-501

Mini-WSB marking card; as card; not stretchable; plain; snap-on type; white

www.wago.com/248-501



Item no.: 793-501

WMB marking card; as card; not stretchable; plain; snap-on type; white

www.wago.com/793-501



Item no.: 793-5501

WMB marking card; as card; for terminal block width 5 - 17.5 mm; stretchable 5 - 5.2 mm; plain; snap-on type; white

www.wago.com/793-5501

Tool

Operating tool



Item no.: 210-721

Operating tool; Blade: 5.5 x 0.8 mm; with a partially insulated shaft; multicoloured

www.wago.com/210-721



Item no.: 210-720

Operating tool; Blade: 3.5 x 0.5 mm; with a partially insulated shaft; multicoloured

www.wago.com/210-720

Downloads

Documentation

Bid Text

787-881 X81 - Datei	2019 Jul 12	xml 6.3 kB	Download
787-881 docx - Datei	2019 Jul 12	docx 22.0 kB	Download
ausschreiben.de 787-881		URL	Download

Instruction Leaflet

EPSITRON Capacitive Buffer Modules 24 VDC, 20 A		pdf 529.2 kB	Download
--	--	-----------------	----------

Additional Information

Disposal and Recycling Electrical and electronic equipment, Batteries, Packaging	V 1.1.0 2022 Aug 18	pdf 2.2 MB	Download
---	------------------------	---------------	----------

Subject to changes. Please also observe the further product documentation!

WAGO GmbH & Co. KG
Hansastr. 27
32423 Minden
Phone: +49571 887-0 | Fax: +49571 887-169
Email: info.de@wago.com | Web: www.wago.com

Do you have any questions about our products?
We are always happy to take your call at +49 (571) 887-44222.



CAD/CAE-Data

CAD data

2D/3D Models 787-881	URL	Download
----------------------	---------------------	--------------------------

CAE data

EPLAN Data Portal 787-881	URL	Download
---------------------------	---------------------	--------------------------

WSCAD Universe 787-881	URL	Download
------------------------	---------------------	--------------------------

ZUKEN Portal 787-881	URL	Download
----------------------	---------------------	--------------------------

Environmental Product Compliance

Compliance Search

Environmental Product Compliance 787-881	URL	Download
--	---------------------	--------------------------

capacitive buffer module; 24 VDC input voltage; 24 VDC output voltage; 20 A output current; 0.17 ... 16.5 s buffer time; communication capability; 10,00 mm²

Installation Notes

Subject to changes. Please also observe the further product documentation!