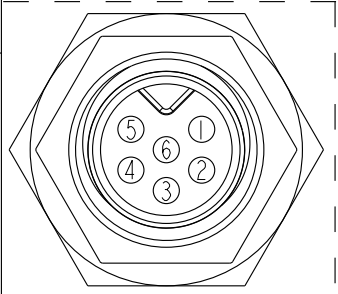
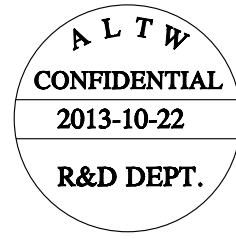
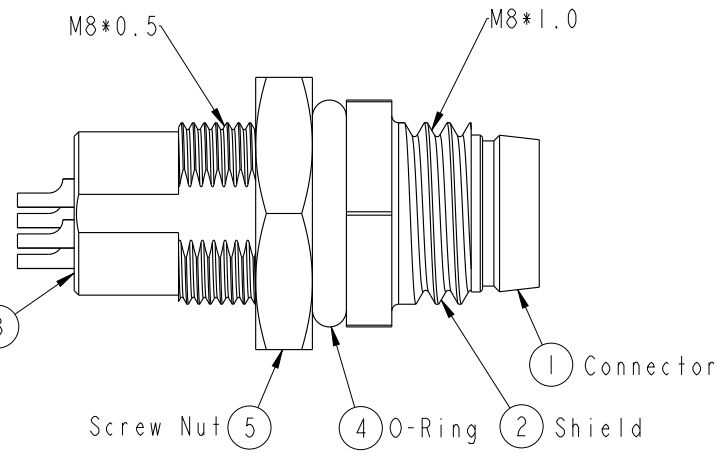
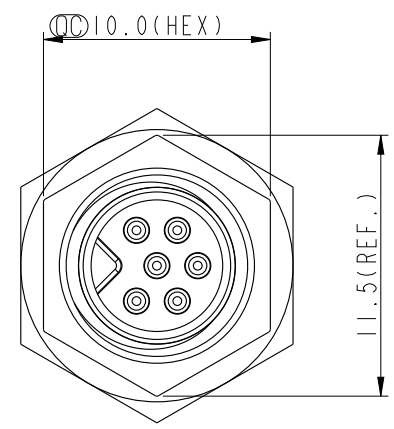
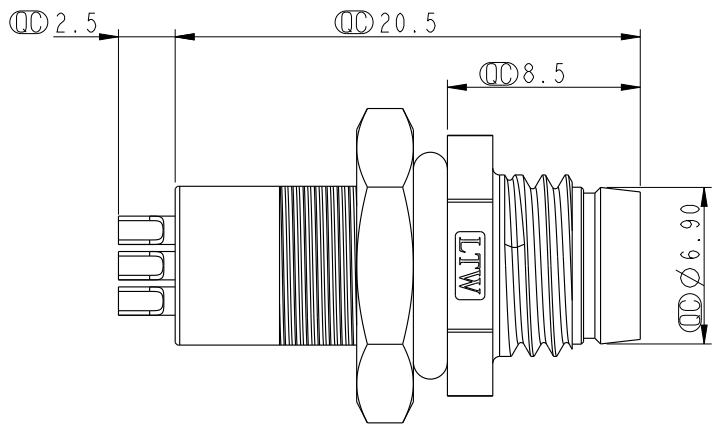
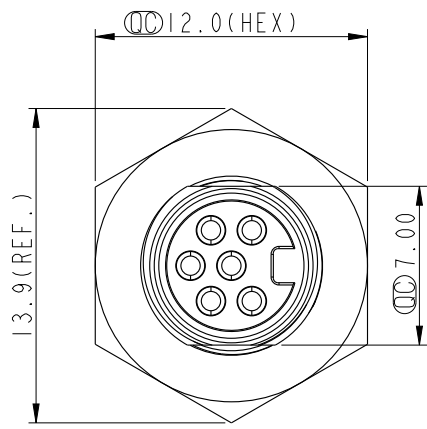
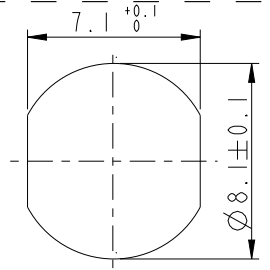


REV.	ECN NO.	DATE	SIGN	DESCRIPTION



Pin Assignment  
Front View



Recommended  
Panel Cut-Out

- Note:
- \*  $\varnothing$  Important Dimension.
  - \* Waterproof Rate: IP67.
  - \* Housing: Nylon+GF, Black.
  - \* Male Pin: Copper Alloy, Gold Plated.
  - \* Shield: Zinc Alloy, Nickel Plated.
  - \* Screw Nut: Copper Alloy, Nickel Plated.
  - \* O-Ring: EPDM, Black.
  - \* For Panel Thickness Max 3.5mm.
  - \* Nut Torque: 4-6 kgf.cm.

UNIT:mm		
TOLERANCE	.X ±0.25	
.XX ±0.1		
.XXX ±0.05		
ANGLES	±1°	

TITLE M8 6Pin Panel M Conn. M Pin			
SCALE 3:1	SIZE A4	SHEET 1 OF 1	
REV. A	WC-REV. A.1	$\varnothing$ : Inspection item	

**Amphenol LTW**  
安費諾亮泰企業股份有限公司

ITEM NO. 8A-06PMMS-SH7001	DRAWN BY Tony_leng	DATE 2013-10-22
DWG NO. 8A-06PMMS-SH7001	CHECKED BY Jimmy	DATE 2013-10-22
CUSTOMER ALTW	APPROVED BY Jerry	DATE 2013-10-22

THIS DOCUMENT IS SUBJECT TO CHANGE WITHOUT NOTICE. IT IS CONFIDENTIAL AND A PROPERTY OF Amphenol LTW. DISCLOSURE TO THIRD PARTY HAS TO BE AUTHORIZED BY Amphenol LTW.