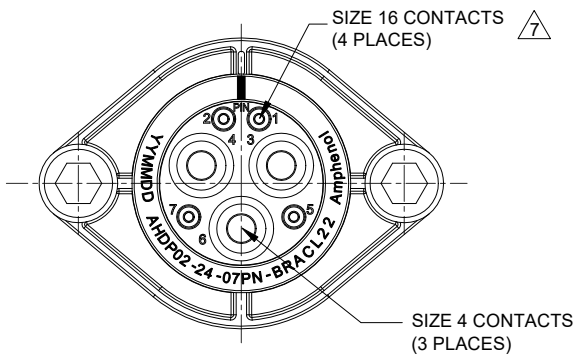
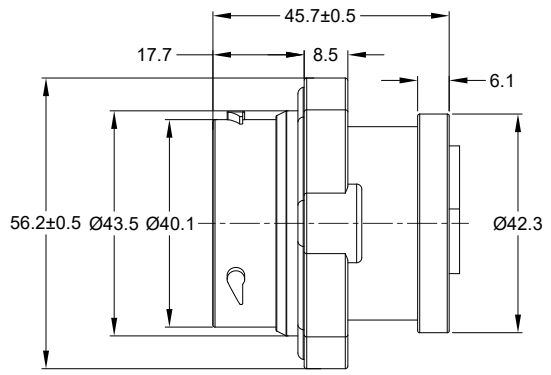
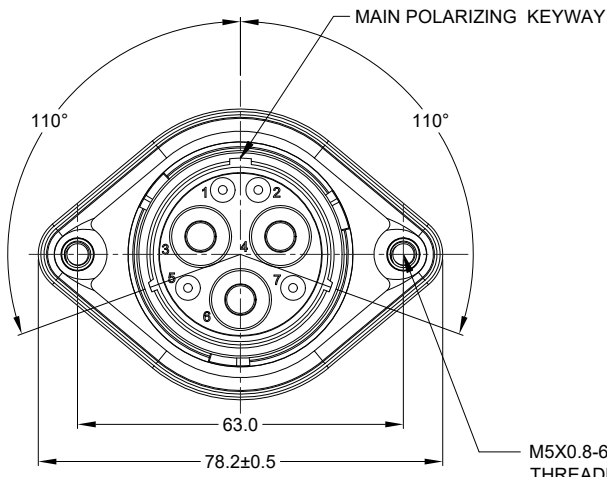
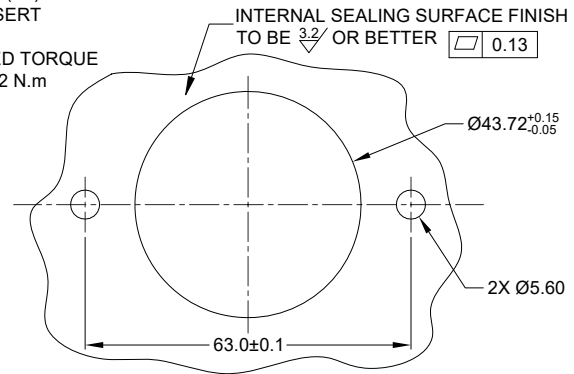


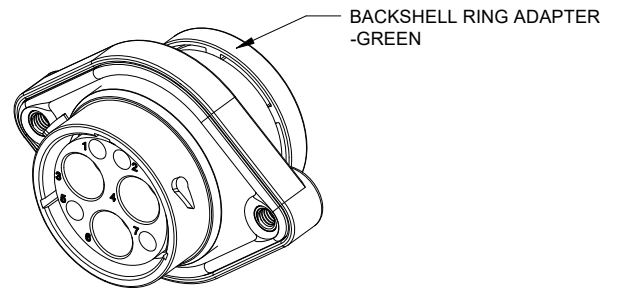
REVISIONS					
REV	ECO	DESCRIPTION	DATE	BY	APPR
A1	--	RELEASE NEW DRAWING	20/APR/22	MILO	TOMMY



M5X0.8-6H 8mm(2X) DEEP THREADED INSERT  
 RECOMMENDED TORQUE VALUES: 1.9-2.2 N.m



RECOMMENDED PANEL MOUNTING HOLE  
 RECOMMENDED PANEL THICKNESS: 1.6 TO 4.7MM



- NOTES: UNLESS OTHERWISE SPECIFIED
- MATERIAL:  
 HOUSING: THERMOPLASTIC; BLACK  
 SEAL: SILICONE RUBBER  
 THREADED INSERT: STAINLESS STEEL
  - MODIFICATIONS: BACKSHELL RING ADAPTER (BRA);  
 STANDARD DIA. WIRE SEAL;  
 SEALED PANEL MOUNT
  - SPECIFICATIONS:  
 3.1 OPERATING TEMPERATURE: -55°C TO +125°C.  
 3.2 DIELECTRIC WITHSTANDING VOLTAGE: LESS THAN 2 MILLIAMPS CURRENT LEAKAGE @ 1500 VOLTS AC.  
 3.3 INSULATION RESISTANCE: 1000 MEGOHM MIN @ 25°C.  
 3.4 MOISTURE RESISTANCE:  
 IP68(IM OF WATER FOR A PERIOD OF 24 HOURS, MATED CONDITION);  
 IP69K(MATED CONDITION)  
 3.5 MATING CYCLE DURABILITY: 100 CYCLES  
 3.6 RoHS COMPLIANT
  - MATING PART: AHPD06-24-07S\*( \* = SEAL TYPE ) ( CL22 OPTION )
  - ALL DIMENSIONS ARE FOR REFERENCE USE ONLY.
  - RECEPTACLE IS SUPPLIED WITH DUST CAP (NOT SHOW)

CONTACT SIZE AND WIRE RANGE:

CONTACT SIZE	MIN. INSUL O.D.	MAX. INSUL O.D.	TYPICAL WIRE RANGE	CURRENT RATING
4*	7.9 mm (.311 in)	10.67 mm (.420 in)	4 AWG (25.0-21.0 mm <sup>2</sup> )	100 AMPS
16	2.54 mm (.100 in)	3.40 mm (.134 in)	14-20 AWG (2.0-0.5mm <sup>2</sup> )	13 AMPS

AHPD02-24-07PN-BRACL22		DESCRIPTION		ITEM
QUANTITY	PART NUMBER	DESCRIPTION		ITEM
MATERIALS LIST				
UNLESS OTHERWISE SPECIFIED		SIGNATURES		DATE
1) All dimensions are in metric (mm).		DRAWN: MILO		20/APR/22
2) Tolerances are as follows:		CHECKED: SULLEN		21/APR/22
1 PL DEC ±0.30 Fractions ±1/64		ENGINEER:		
2 PL DEC ±0.15 Angles ±1°		APPROVAL: TOMMY		22/APR/22
3 PL DEC ±0.08		CUSTOMER:		
3) Note reference =		MATERIAL SPECIFICATIONS:		
		WEIGHT: 70.3g		
PROCESS SPECIFICATIONS:		THIS DRAWING IS SUPPLIED FOR INFORMATION ONLY. DESIGN FEATURES, SPECIFICATIONS AND PERFORMANCE DATA SHOWN HEREON ARE THE PROPERTY OF THE AMPHENOL CORPORATION. NO RIGHTS OF REPRODUCTION ARE IMPLIED. ALL DIMENSIONS ARE SUBJECT TO NORMAL MANUFACTURING VARIATIONS.		
NEXT ASSY:		SCALE: NONE		
		DURAMATE		

# Amphenol

Sine Systems - www.amphenol-sine.com  
 44724 Morley Drive  
 Clinton Township, MI 48036

**7POS, RECEPT, PIN, PANELMATE AHPD SIZE 24, NORMAL SEAL, BRA, CL22**

SIZE	TYPE	DWG NO.	REVISION
B	C-	AHPD02-24-07PN-BRACL22	A1
SCALE: NONE		SHEET 1 OF 1	

TITLE: 7POS, RECEPT, PIN, PANELMATE AHPD SIZE 24, NORMAL SEAL, BRA, CL22  
 DWG NO.: AHPD02-24-07PN-BRACL22  
 REV: A1  
 SH: 1  
 OF: 1