

CP-1PT

Ceiling Plate w/ Cable Pass-Through for
Standard 1.5" NPT Plumbing Pipe

Product Features:

Universal ceiling flange works with all manufacturer's mounting systems when using standard 1.5" NPT pipe

Cable pass-through for easy cable management

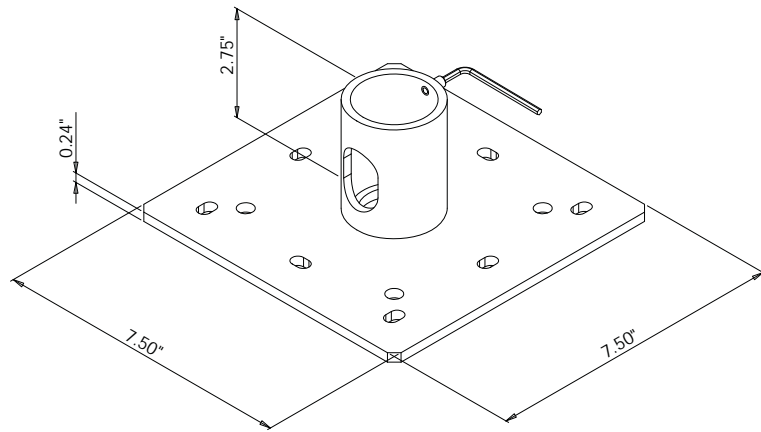
Provides base for ceiling installations

Black powder coat finish

Product Specifications:

(for Architects & Engineers)

The ceiling plate to accept 1.5" NPT plumbing pipe shall be Video Mount Products (VMP) model CP-1PT. Universal ceiling flange works with all manufacturers mounting systems when using 1.5" NPT plumbing pipe. The universal ceiling flange shall have a cable pass through in the side of the pipe couple to facilitate cable management. The ceiling plate provides a mounting base for ceiling installations. (Can be used in conjunction with AK-1PT)



Video Mount Products

345 Log Canoe Circle

Stevensville, MD 21666

Toll Free: 877.281.2169

Telephone: 410.643.6390

Facsimile: 410.643.6615

www.videomount.com

VMP
VIDEO MOUNT PRODUCTS