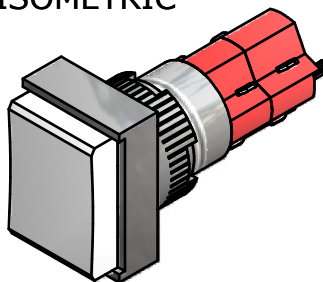
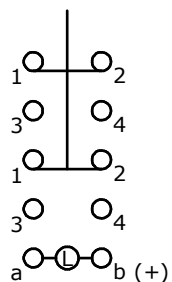


PANEL MOUNTING

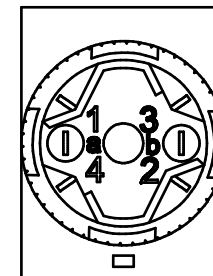
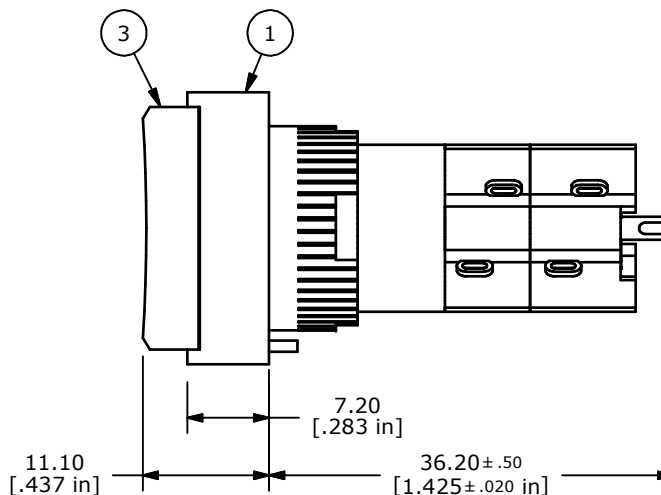
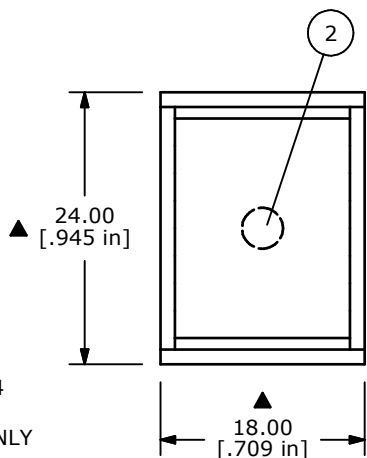
ISOMETRIC



PARTS LIST			
ITEM	QTY	PART NUMBER	DESCRIPTION
1	1	F040035	D16OAT12
2	1	F050404	5000404 14V (AC or DC) 80mA INCANDESCENT
3	1	F052205	5000205 OPAQUE WHITE LENS - CONCAVE, RECTANGULAR



DPDT CONTACT CONFIGURATION



NOTE:

1. ALL DIMENSIONS IN MM [INCH]
2. GENERAL TOLERANCE: X.X=±0.4
X.XX=±0.25
3. TERMINAL NUMBERS FOR REF ONLY
4. RATING: 5A @ 250 VAC
6A @ 24 VDC
8A @ 125 VAC
5. ELECTRIC LIFE: 50,000 MAKE-AND-BREAK CYCLES AT FULL LOAD.
6. PANEL THICKNESS: 0.5 - 5.0 mm
7. INSULATION RESISTANCE: 1,000 MEGA-OHM MIN.
8. OPERATING TEMP.: -20°C to 55°C
- ▲ 9. LAMP VOLTAGE: 14V 80mA INCANDESCENT
10. ▲ DENOTES CRITICAL PARAMETER.
11. 2002/05/EC (ROHS) COMPLIANT.
12. PACKAGE: BOX/20 PIECES PER BOX



TITLE D16OAT12BWHT				
SCALE 1.5:1	DATE 10/16/2009	DR BLR	DWG XF0806P	REV A

A	18676	RELEASED FOR PRODUCTION	10/15/09	BLR
REV	PCR NO	DESCRIPTION	DATE	BY

THE INFORMATION CONTAINED IN THIS DOCUMENT IS PROPRIETARY TO E-SWITCH AND IS NOT TO BE COPIED OR TRANSFERRED