

NO: PH-195
DATE: March 2015

PRODUCT: E3S-CT11-4 Photoelectric Sensor
TYPE: Discontinuation Notice

Oil-Resistant, Metal Body E3S-CT11-4 Photoelectric Sensor with Diagnostic Output to be Discontinued March 2015

Last Order Date: March 31, 2015

Product discontinuation	Recommended replacement
E3S-CT11-4	No recommended replacement



See specifications for the discontinued model on the following pages.

Body Color

Discontinued model E3S-CT11-4
Dark Gray

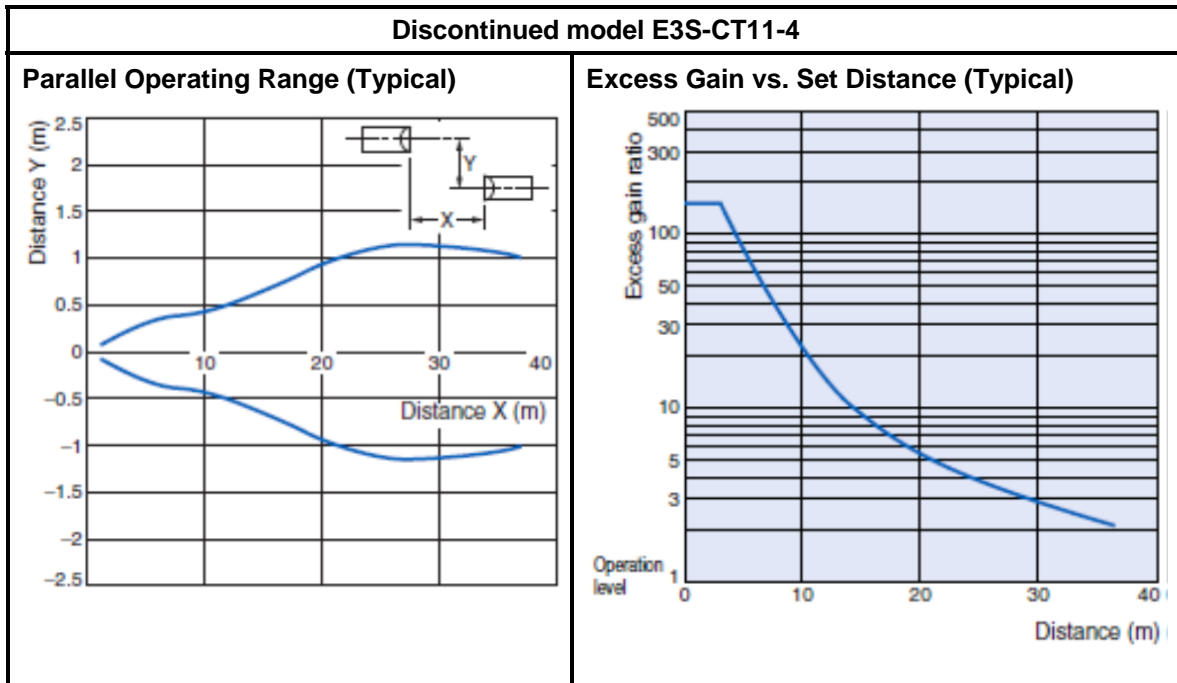
Characteristics

Discontinued model	E3S-CT11-4
Sensing distance	30 m
Standard sensing object	15 mm min.
Directional angle	3 to 15 degrees
Wavelength of LED light source	880 nm (infrared)
Power supply voltage	10 to 30 VDC, ripple: 10% max.
Current consumption	Both emitter and receiver: 25 mA max.
Control output	Load supply voltage 30 VDC max. Load current 100 mA max. (residual voltage NPN output: 1.2 V max., PNP output: 2.0 V max.) Open collector output type (NPN/PNP switch selectable)
External diagnostic input	With emitter OFF: NPN: 0 V short-circuit or 1.5 V max. (push current: 1 mA max.) PNP: DC short-circuit or -1.5 V DC max. (pull current: 3 mA max.) With emitter ON: NPN/PNP Open (max. input voltage: 30 V max. with 0.1 mA current leakage)
Circuit protection	Load short-circuit protection Reverse connection protection
Response time	Operation or reset: 1 ms max.
Sensitivity adjustment	Single-turn adjustment

Characteristics (continued)

Discontinued model		E3S-CT11-4
Ambient illumination		Incandescent lamp: Illumination on optical spot: 5,000 lx max. Sunlight: Illumination on optical spot: 10,000 lx max.
Ambient temperature		Operating: -25°C to +55°C (with no icing) Storage: -40°C to +70°C (with no icing)
Ambient humidity		Operating: 35% to 85% Storage: 35% to 95%
Insulation resistance		20 MΩ min. (at 500 V DC)
Dielectric strength		1,000 VAC, 50/60 Hz for 1 min
Vibration resistance		10 to 2,000 Hz double amplitude 1.5 mm or 300 m/s ² for 0.5 h in each of X, Y, Z directions
Shock resistance		1,000 m/s ² (approx. 100G) 3 times each in X, Y, and Z directions
Protective structure		IEC Standard IP67, NEMA 6P (limited to indoors use)
Material	Case	Zinc diecast
	Operation panel	Polyethyl sulfon
	Lens	Acrylics
	Mounting brackets	Stainless steel (SUS304)
Accessories		Mounting bracket (with screws), adjusting screwdriver

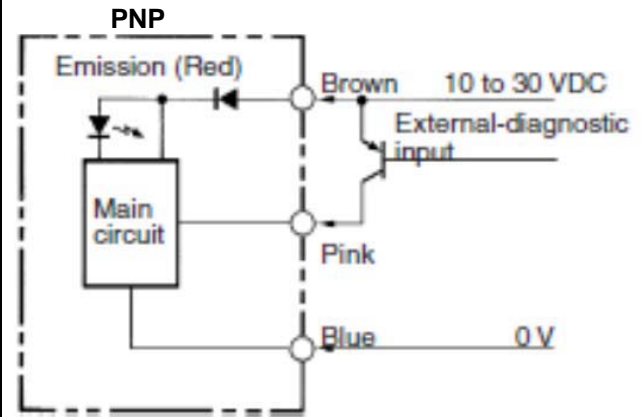
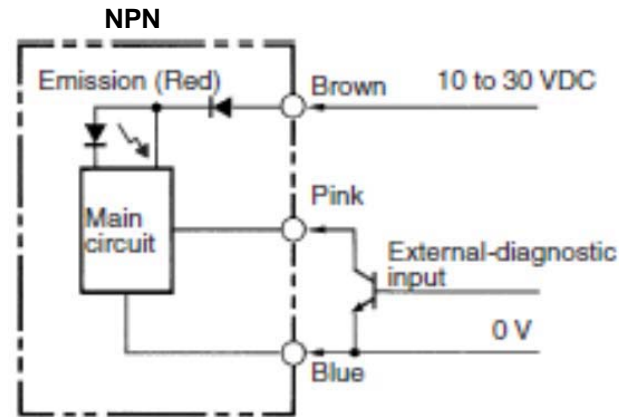
Operation Ratings



Wiring Diagrams

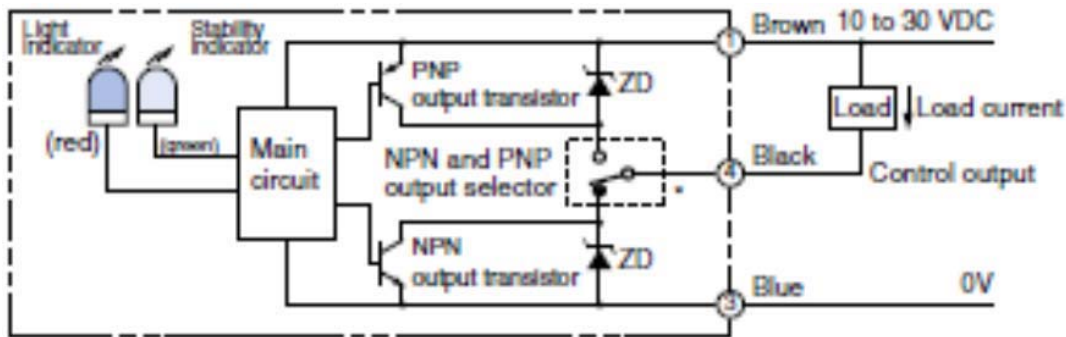
Discontinued model E3S-CT11-4

Emitter



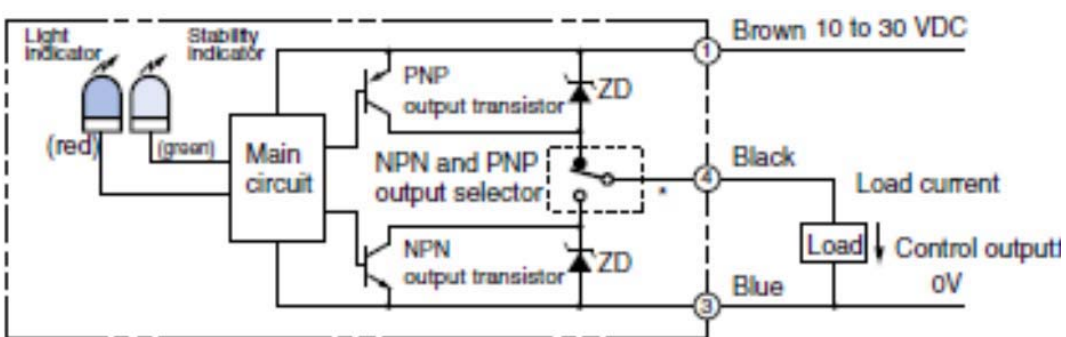
Receiver

NPN



* Note: Set the NPN and PNP output selector to NPN.

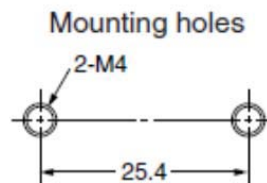
PNP



* Note: Set the NPN and PNP output selector to PNP.

Mounting Holes

Discontinued model E3S-CT11-4

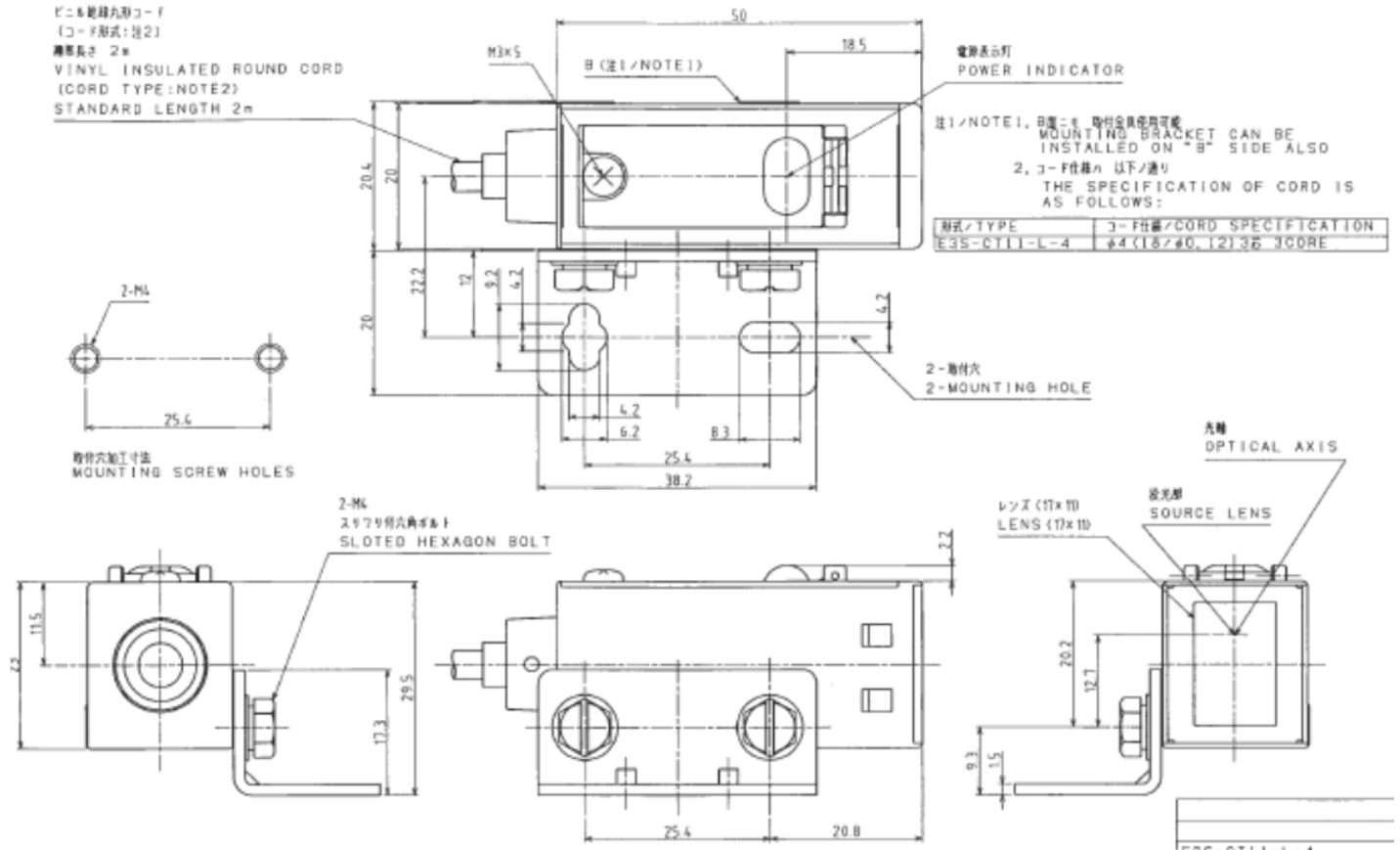


Dimensions

Discontinued model E3S-CT11-4

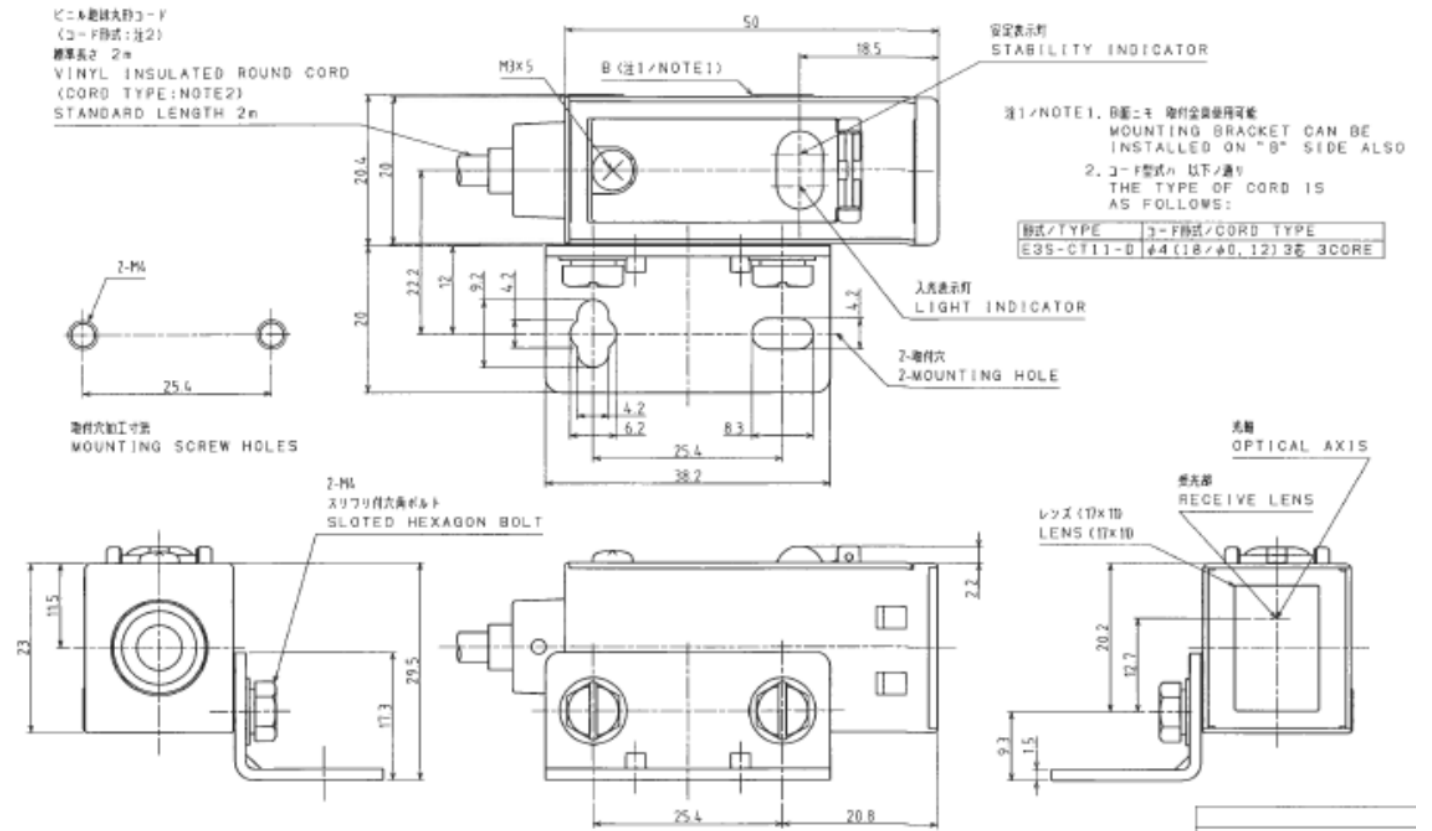
Emitter

ビニル絶縁丸形コード
(コード形式:注2)
標準長さ 2m
VINYL INSULATED ROUND CORD
(CORD TYPE:NOTE2)
STANDARD LENGTH 2m



Receiver

ビニル絶縁丸形コード
(コード形式:注2)
標準長さ 2m
VINYL INSULATED ROUND CORD
(CORD TYPE:NOTE2)
STANDARD LENGTH 2m



Specifications and prices in this product news are as of the issue date and are subject to change without notice. Only main changes in specifications are described in this document. Please be sure to read the relevant catalogs, datasheets, product specifications, instructions, and manuals for precautions and necessary information when using products.