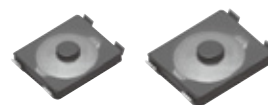


### 3.0 mm×2.6 mm SMD Light Touch Switches

Type: **EVPAF/EVP0A**



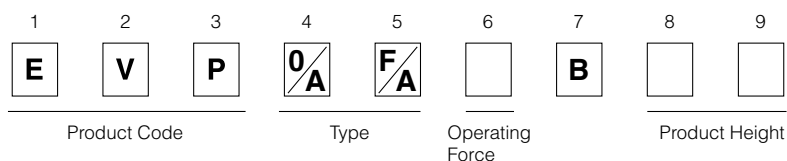
#### ■ Features

- External dimensions: 3.0 mm×2.6 mm, Height 0.65 mm, 0.70 mm
- High operability  
Equipped with an actuator (push plate)

#### ■ Recommended Applications

- Operation switches for portable electronic equipment  
(Mobile phone, Portable audio)

#### ■ Explanation of Part Numbers



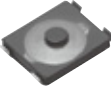
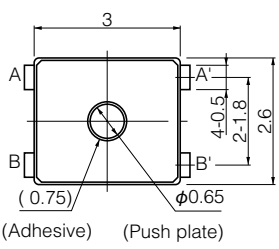
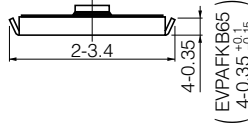
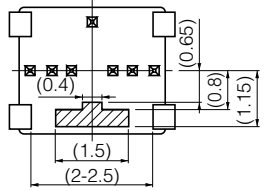
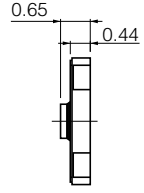
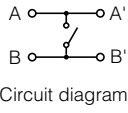
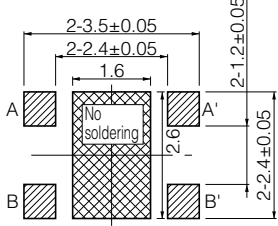


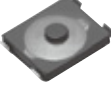
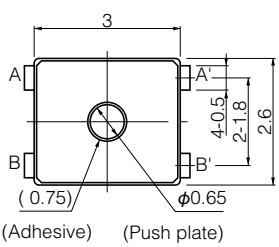
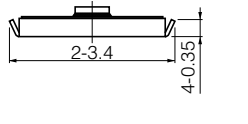
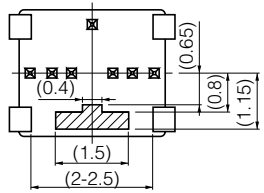
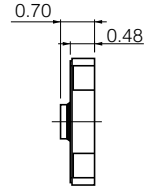
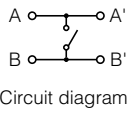
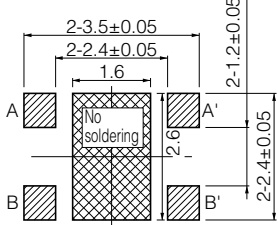
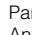

#### ■ Specifications

Type		Snap action/Push-on type SPST
Electrical	Rating	10 μA 2 V DC to 20 mA 15 V DC (Resistive load)
	Contact Resistance	500 mΩ max.
	Insulation Resistance	50 MΩ min. (at 100 V DC)
	Dielectric Withstanding Voltage	250 V AC for 1 minute
	Bouncing	10 ms max. (ON, OFF)
Mechanical	Operating Force	1.3 N, 1.6 N, 2.4 N, 3.4 N
	Travel	0.15 mm
Endurance	Operating Life	1.3 N, 1.6 N, 3.4 N : 100,000 cycles min., 1.6 N(Low profile) 2.4 N : 500,000 cycles min.
Operating Temperature		-40 °C to +85 °C
Storage Temperature		-40 °C to +85 °C (Bulk) -20 °C to +60 °C (Taping)
Minimum Quantity/Packing Unit		8,000 pcs. Embossed Taping (Reel Pack)
Quantity/Carton		40,000 pcs.

Note: Non washable

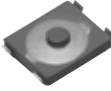
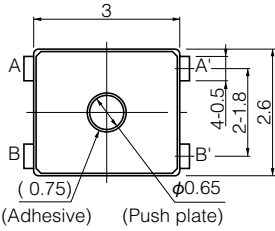
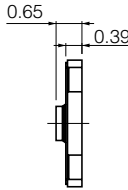
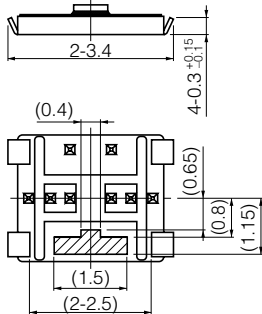
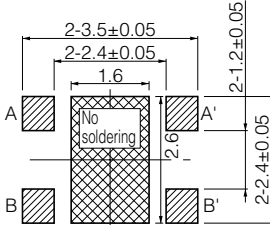

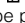
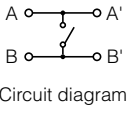
Design and specifications are each subject to change without notice. Ask factory for the current technical specifications before purchase and/or use.  
Should a safety concern arise regarding this product, please be sure to contact us immediately.

■ Dimensions in mm (not to scale)

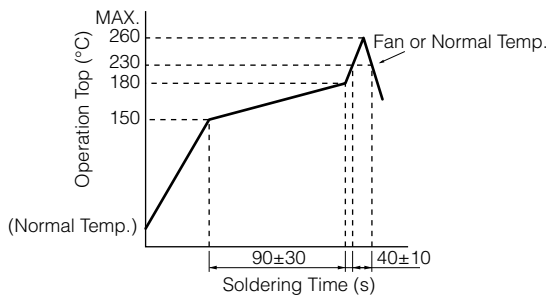
<p>No. 1</p> <p><b>EVPAF</b> (Embossed Taping) With J-bent terminals</p> 	 <p>(Without the remainder of the gate)</p>   <p>(Adhesive) (Push plate)</p> <p>(EVPAFKB65) 4-0.35<sup>+0.15</sup></p>	<p>General dimension tolerance : ± 0.1 ( ) dimensions are reference dimensions.</p>   <p>Circuit diagram</p>  <p>PWB land pattern for reference</p> <p>Part of A-A' terminal is exposed at  area. Any land pattern or vias shall not be provided at  area.</p>	
<p>Part Numbers</p> <p>EVPAFKB65</p> <p>EVPAFFB65</p>	<p>Operating Force</p> <p>1.3 N</p> <p>1.6 N</p>	<p>Height</p> <p>0.65 mm</p> <p>0.65 mm</p>	<p>Operating Life</p> <p>100,000 cycles</p> <p>100,000 cycles</p>
<p>No. 2</p> <p><b>EVPAF</b> (Embossed Taping) With J-bent terminals</p> 	 <p>(Without the remainder of the gate)</p>   <p>(Adhesive) (Push plate)</p>	<p>General dimension tolerance : ± 0.1 ( ) dimensions are reference dimensions.</p>   <p>Circuit diagram</p>  <p>PWB land pattern for reference</p> <p>Part of A-A' terminal is exposed at  area. Any land pattern or vias shall not be provided at  area.</p>	
<p>Part Numbers</p> <p>EVPAF5B70</p> <p>EVPAF7B70</p>	<p>Operating Force</p> <p>3.4 N</p> <p>2.4 N</p>	<p>Height</p> <p>0.70 mm</p> <p>0.70 mm</p>	<p>Operating Life</p> <p>100,000 cycles</p> <p>500,000 cycles</p>

Design and specifications are each subject to change without notice. Ask factory for the current technical specifications before purchase and/or use.  
Should a safety concern arise regarding this product, please be sure to contact us immediately.

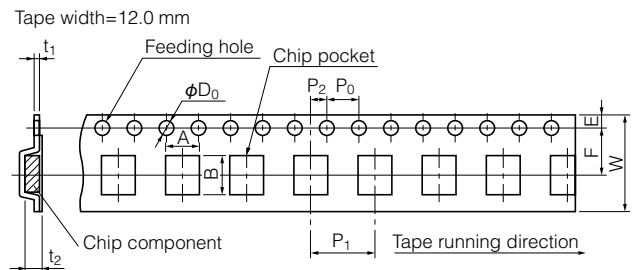
### ■ Dimensions in mm (not to scale)

<p>No. 3</p> <p>EVPAF</p> <p>Low profile (Embossed Taping)</p> <p>With J-bent terminals</p> 	<p>General dimension tolerance : <math>\pm 0.1</math> ( ) dimensions are reference dimensions.</p>  <p>(Without the remainder of the gate)</p>    <p>PWB land pattern for reference</p> <p>Part of A-A' terminal is exposed at  area. Any land pattern or vias shall not be provided at  area.</p>  <p>Circuit diagram</p>		
Part Numbers	Operating Force	Height	Operating Life
EVPAF06B65	1.6 N	0.65 mm	500,000 cycles
EVPAF7B65	2.4 N	0.65 mm	500,000 cycles
EVPAF5B65	3.4 N	0.65 mm	100,000 cycles

### ■ Recommended Reflow Soldering Conditions



### ● Embossed Carrier Taping



Taping condition : Lack of products in the middle of taping should be one MAX, but total quantity specified in the specifications should be secured.

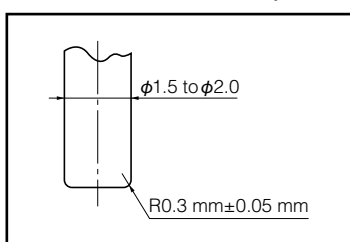
Peeling off strength of top tape : It should be within 0.2N to 1.0N at 165 degree in peeling off angle.

Joint of carrier tape : One joint per one reel may exist.

Unit: mm

Part No.	Height	A	B	W	F	E	P <sub>1</sub>	P <sub>2</sub>	P <sub>0</sub>	D <sub>0</sub> Dia	t <sub>1</sub>	t <sub>2</sub>
EVPAF	0.65/0.70	3.75±0.2	2.95±0.2	12.0±0.3	5.5±0.1	1.75±0.1	8.0±0.1	2.0±0.1	4.0±0.1	1.5±0.3	0.3±0.1	0.8±0.2
EVP0AF												

### ■ Recommended Shape of Test Pole



Design and specifications are each subject to change without notice. Ask factory for the current technical specifications before purchase and/or use.  
Should a safety concern arise regarding this product, please be sure to contact us immediately.

## Requests to customers

Please refer to "the latest product specifications" when designing your product.

Requests to customers :

<https://industrial.panasonic.com/ac/e/salespolicies/>

## Safety Precautions

When using our products, no matter what sort of equipment they might be used for, be sure to confirm the applications and environmental conditions with our specifications in advance.

Please contact .....

**Panasonic Corporation**

Electromechanical Control Business Division

■ 1006, Oaza Kadoma, Kadoma-shi, Osaka 571-8506, Japan  
[industrial.panasonic.com/ac/e/](https://industrial.panasonic.com/ac/e/)

**Panasonic**<sup>®</sup>

©Panasonic Corporation 2019