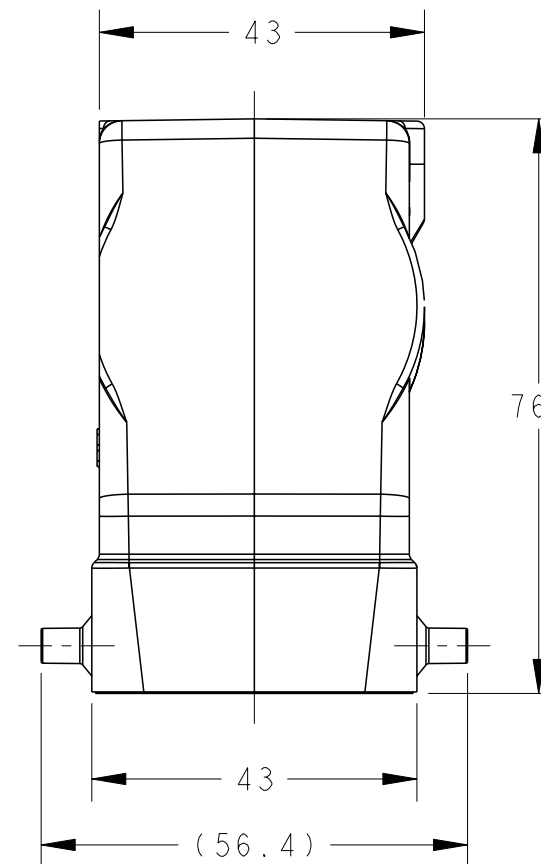
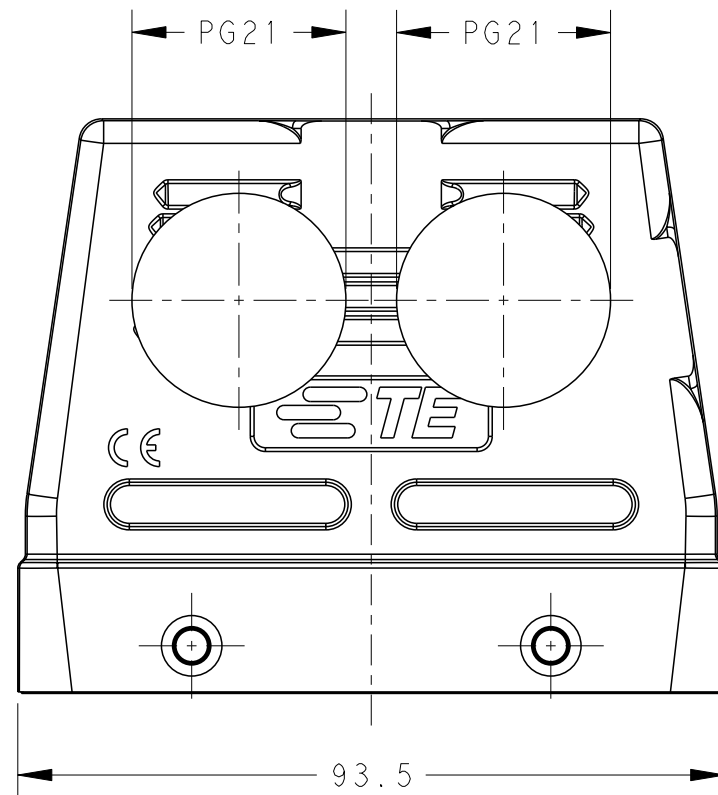


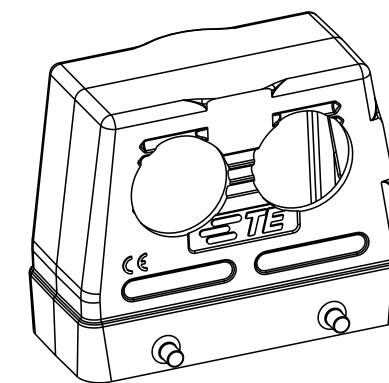
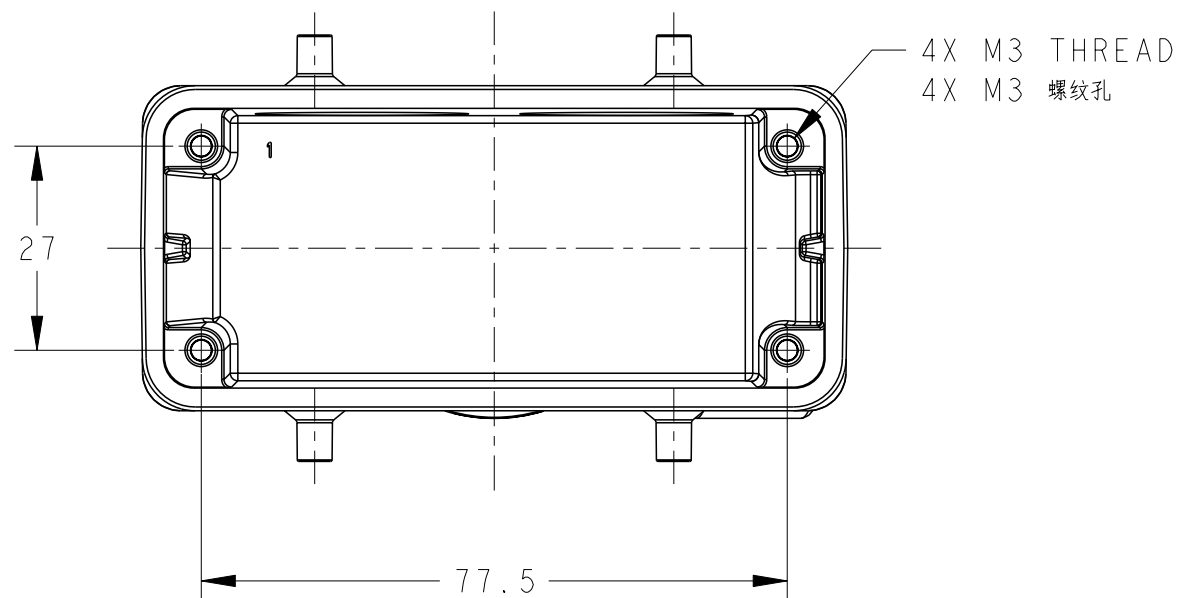
THIS DRAWING IS UNPUBLISHED. RELEASED FOR PUBLICATION 20  
 © COPYRIGHT 20 BY - ALL RIGHTS RESERVED.

P	LTR	DESCRIPTION	DATE	DWN	APVD
	A	INITIAL	25MAY2015	DW	CW
	B	ECR-20-008190	05AUG2020	WQR	CW
	B1	ECR-21-105138	29JUN2021	WQR	CW




NOTES:  
 1. TECHNICAL CHARACTERISTICS:  
 HOOD MATERIAL: DIE CAST ALUMINIUM ALLOY  
 SURFACE: POWDER COATED, GREY  
 DEGREE OF PROTECTION: IP65 (MATED)

注释:  
 1. 技术参数:  
 上壳材料: 铝合金  
 表面处理: 粉末涂层, 灰色  
 防护等级: IP65(配合)



SCALE 1:2

T1230160921-000	H16B-TFH-2PG21	HIGH CONSTRUCTION
PART NUMBER	DESCRIPTION	TYPE

THIS DRAWING IS A CONTROLLED DOCUMENT.		DWN 25MAY2015 David Wang	 TE Connectivity NAME H16B-TFH-2PG21				
DIMENSIONS: mm		CHK 25MAY2015 Chris Wang					
TOLERANCES UNLESS OTHERWISE SPECIFIED:		APVD 25MAY2015 Xiang Xu					
0 PLC ±- 1 PLC ±- 2 PLC ±- 3 PLC ±- 4 PLC ±- ANGLES ±-		PRODUCT SPEC 108-137013					
MATERIAL -		APPLICATION SPEC 114-137013	SIZE A3	CAGE CODE 00779	DRAWING NO C-T1230160921000	RESTRICTED TO -	
FINISH -		WEIGHT -	Customer Drawing		SCALE 1:1	SHEET 1 OF 1	REV B1

printed on 1 Jul 2021 13:43 (China Standard Time) from TE343646