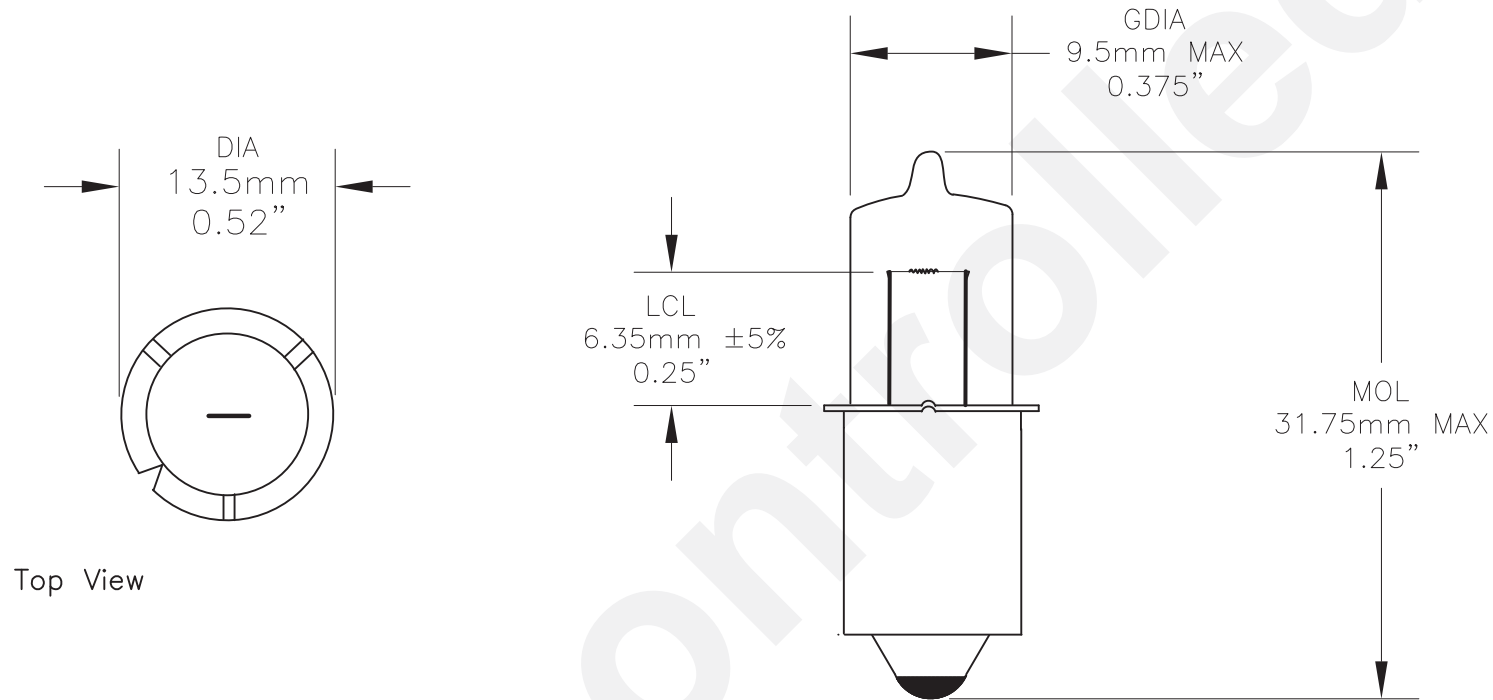


PART NO.	BASE TYPE	DESIGN VOLTS	DESIGN AMPS	MSCP	Filament Type	AVG LIFE
HPR51	S.C. Miniature Flanged	6.5V	0.7	7.2±15%	C-6	25hr

REVISIONS			
REV	DESCRIPTION	DATE	APPROVED
1	Revised avg. life hours, Design Amps	01/27/2005	D.C.



Top View

UNLESS OTHERWISE SPECIFIED: DIMENSIONS ARE IN INCHES TOLERANCES		CEC INDUSTRIES LTD			
DECIMALS .XX ± .05 .XXX ± .010 FRACTIONAL ± 1/64		599 BOND STREET		LINCOLNSHIRE, IL 60069	
ANGULAR ± 0.5°		TITLE HPR 51			
DRAWN Anna Soloveychik	DATE 11/14/03	SIZE A	FSCM NO.	DWG NO. HPR51 rev1	REV 1
CHECKED		SCALE	PLOT SCALE	SHEET 1 OF 1	
DESIGN		FILE HPR51 rev1.dwg		DO NOT SCALE DRAWING	