

6

5

4

3

2

1

APPROVED: _____

DATE: _____ TITLE: _____

Rev	AWO #	Description	Date	Appr
-		RELEASED	9/8/20	

D

D

C

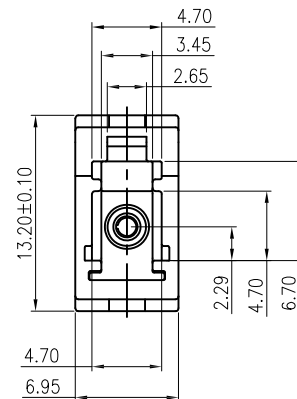
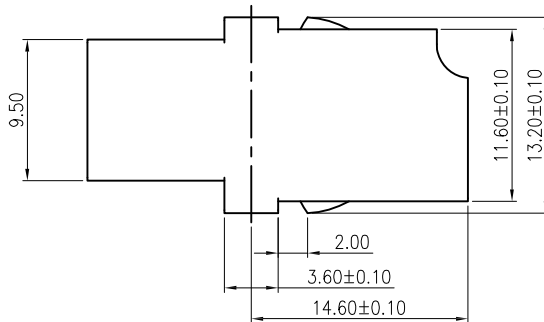
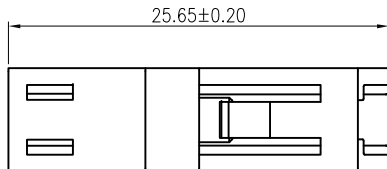
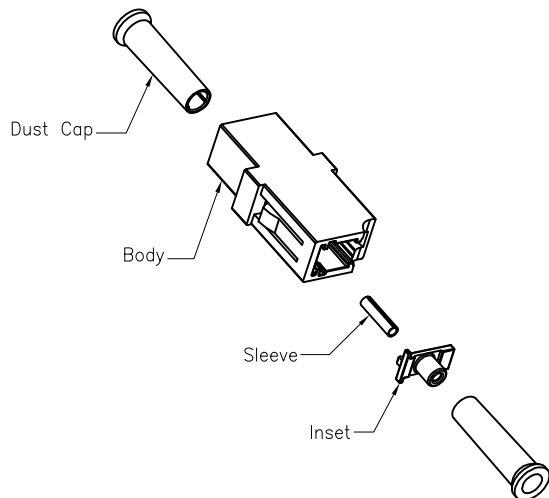
C

B

B

A

A



OPLC1BNNC1NA	PBT Beige	PP White
OPLA1BNNC1NA	PBT Green	PP White
OPLB1BNNC1NA	PBT Blue	PP White
Part name	Material, Color	CAP Color

SPECIFICATIONS:

Material:
Housing: PBT, rated UL 94V-0, Color: See Chart
Cap: PP, rated UL 94V-0, Color: White
Sleeve: Zirconia Ceramic
Electrical:

Standards of IEC 61754-20, YD/T 1272.1-2003
Repeatability: 500 min times
Insertion loss: 0.2dB max
Interchangeability: 0.2dB
Temperature Rating:
Operating temperature: -40°C to +85°C
Environmental:
Lead free, RoHS compliant.



UNLESS OTHERWISE SPECIFIED ALL DIMENSIONS ARE MILLIMETERS TOLERANCES: EXCEPT AS NOTED		
MM	ANGLE	
X. ± 0.35	X.* ± 2°	
.X ± 0.30	.X* ± 1°	
.XX ± 0.25	.XX* ± 0.5°	
.XXX ± 0.15	.XXX* ± 0.5°	
APPROVALS		DATE
DRAWN	OW	9/8/20
CHECKED	JL	9/8/20
APPROVED		

ADAM TECH INTERCONNECTS
909 Rahway Avenue,
Union, NJ 07083
Phone: 908-687-5000
Fax: 908-687-5710

TITLE OPTICAL LC ADAPTERS, APC&PC&MM, 1 PORTS SHORT EARS, WITH LC DUST CAP		
SIZE X	PART NO. OPLX1BNNC1NA	REV. -
REF: S00005C	SCALE: NTS	SHEET 1 OF 1

6

5

4

3

2

1