

NOTES:

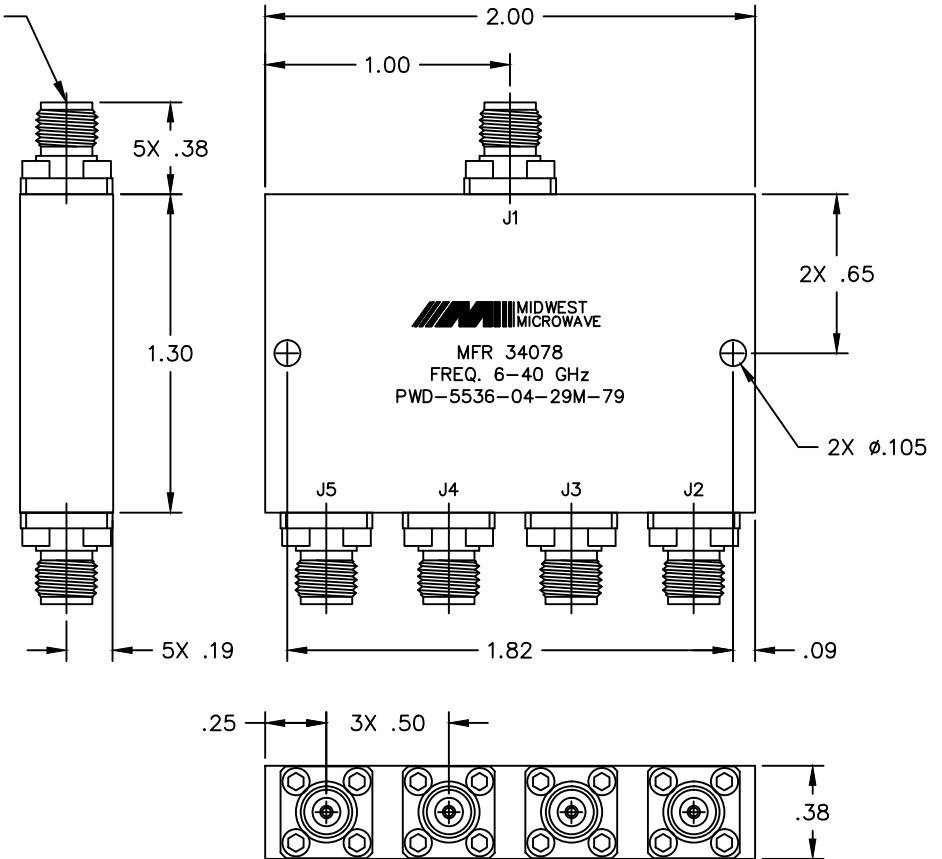
1. MATERIAL & FINISH:

- 1.1 HOUSING: GREY PAINT OVER RoHS COMPLIANT CHEMICAL CONVERSION COATED ALUMINUM
- 1.2 CONNECTORS:
 - 1.2.1 HOUSING: PASSIVATED STAINLESS STEEL
 - 1.2.2 BEADS: KEL-F(PCTFE) AND ULTEM 1000
 - 1.2.3 CENTER CONTACT: GOLD PLATED BERYLLIUM COPPER
- 1.3 SCREWS: STAINLESS STEEL

2. SPECIFICATIONS:

- 2.1 FREQUENCY RANGE: 6 TO 40 GHz
- 2.2 IMPEDANCE: 50 OHMS NOMINAL
- 2.3 INSERTION LOSS (MAX): 2.6 dB (EXCLUDING POWER DIVISION LOSS)
- 2.4 ISOLATION (MIN): 13 dB
- 2.5 VSWR (MAX): 1.8:1 (ALL PORTS)
- 2.6 OUTPUT UNBALANCE (MAX):
 - 2.6.1 AMPLITUDE: 1.0 dB
 - 2.6.2 PHASE: 14°
- 2.7 INPUT POWER (MAX): 30W (ALL OUTPUT LOADS WITH VSWR < 1.2:1)
- 2.8 OPERATING TEMP. RANGE: -55°C TO +85°C
- 2.9 WEIGHT: 2.0 oz NOMINAL

5X 2.92mm (SMK) FEMALE
PER MIL-STD-348
FIGURE 323-2




MODEL NUMBER
PWD-5536-04-29M-79

REV.	DESCRIPTION	DATE
001	ECO 26073	5/28/19



NOTICE: The information contained in this drawing is proprietary and must not be used without the permission of Cinch Connectivity Solutions.

UNLESS OTHERWISE NOTED DIMENSIONS ARE IN INCHES AND TOLERANCES ARE:
3 PLACE DECIMALS ±.005
2 PLACE DECIMALS ±.02
FRACTIONS ±1/64
PARALLELITY: T.I.R.
FLATNESS: T.I.R.
CONCENTRICITY: T.I.R.
ANGLES AND PERPENDICULARITY: ±2'

CAGE CODE 34078		MIDWEST MICROWAVE	
		TITLE POWER DIVIDER 6-40 GHz	
DRAWN/DATE J.KEREKES 5/28/19	ENG./DATE J.KEREKES 5/28/19	DRAWING NUMBER PWD-5536-04-29M-79-01	REV. 001
CHECKED/DATE R. BRENDAL 6/10/19	APPROVED/DATE M. DVORAK 6/10/19	SCALE: 2:1	SHEET 1 of 1