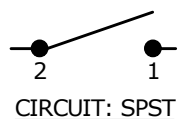
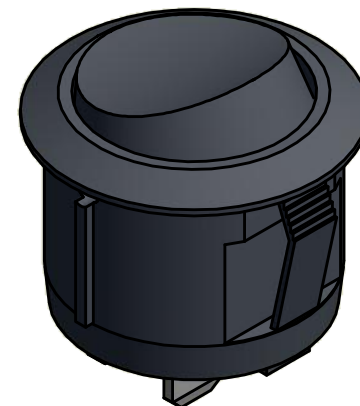
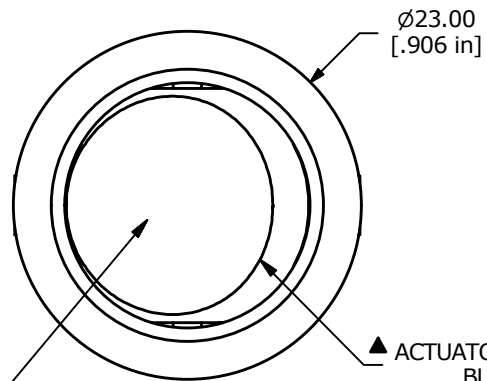


SWITCH FUNCTION	
POS. 1	POS. 2
OFF	(ON)
OPEN	2-1

(ON) = MOMENTARY



OBSOLETE

July 2018

PCR 23478

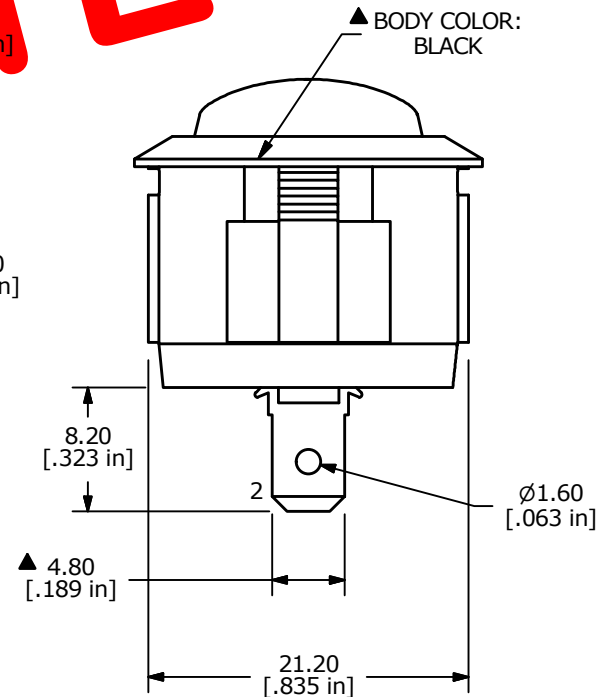
▲ MARKING: NONE

▲ ACTUATOR COLOR: BLACK

SURFACES ABOVE BEZEL HAVE A GLOSSY FINISH

▲ BODY COLOR: BLACK

- NOTE:
- DIMENSIONS IN MM [INCH]
 - GENERAL TOLERANCE: X.X = ± 0.4
X.XX = ± 0.25
 - TERMINAL NUMBERS FOR REF ONLY
 - CONTACT MATERIAL: SILVER
 - CONTACT RATINGS: 10A @ 125VAC [UR, cUR]
10A @ 125V~ [NOM]
6A @ 250V~ [NOM]
6(2)A @ 250V~ [ENEC14]
 - CONTACT RESISTANCE: 35mΩ MAX. @ 50VAC
 - INSULATION RESISTANCE: 1000MΩ MIN. @ 500VAC
 - DIELECTRIC STRENGTH: 1,500VAC FOR 1 MINUTE
 - ELECTRICAL LIFE: 6,000 CYCLES [UR, cUR, NOM]
10,000 CYCLES [ENEC14]
 - OPERATING TEMPERATURE: -20°C TO 105°C [UR, cUR, NOM]
-20°C TO 125°C [ENEC14]
 - ▲ DENOTES CRITICAL PARAMETER
 - 2011/65/EU (ROHS) COMPLIANT



A	21487	RELEASE FOR PRODUCTION	6/20/14	EBP
REV	PCR NO	DESCRIPTION	DATE	BY

TITLE RRG31431100				
SCALE	DATE	DR	DWG	REV
2:1	6/20/2014	EBP	38-RRG31431100	A

THE INFORMATION CONTAINED IN THIS DOCUMENT IS PROPRIETARY TO E-SWITCH AND IS NOT TO BE COPIED OR TRANSFERRED