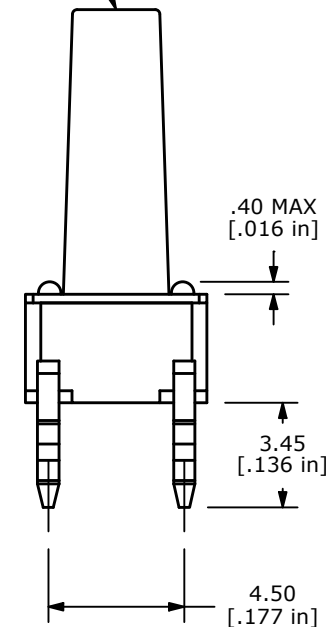
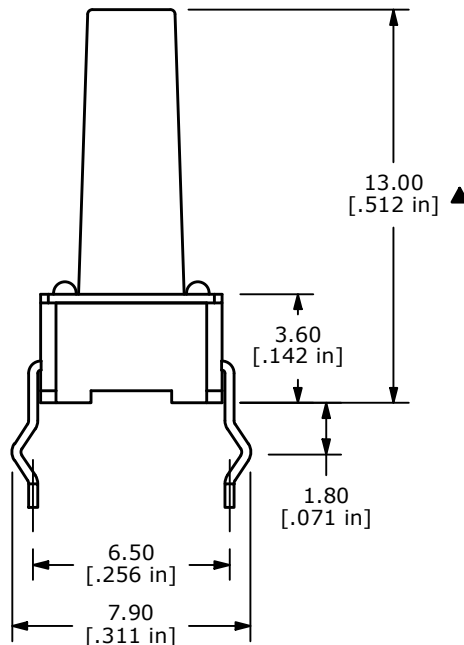


▲ ACTUATOR
COLOR: BROWN



- NOTES:
1. ALL DIMENSIONS IN MM
 2. GENERAL TOLERANCE: X.X=±0.4
X.XX=±0.25
 3. TERM. NOS. FOR REFERENCE ONLY.
 4. RATING: 12VDC, 50mA
 - ▲ 5. OPERATING FORCE: 100 ± 50 gf
 6. TRAVEL: 0.25mm +0.20/-0.10MM
 7. CONTACT RESISTANCE: 100 MILLI OHMS MAX. (INITIAL)
 8. MECHANICAL/ELECTRICAL LIFE 100,000 CYCLES MIN.
 - ▲ 9. CONTACT MATERIAL: SILVER
 10. ▲ DENOTES CRITICAL PARAMETER
 11. OPERATING TEMP: -40°C TO 85°C



D	24544	CHANGED OPERATING TEMPERATURE	10/19/20	JM
C	20848	REDRAWN	10/25/12	rc
REV	PCR NO	DESCRIPTION	DATE	BY

TITLE TL1105DF100Q				
SCALE	DATE	DR	DWG	REV
4:1	10/25/2012	RC	P010010	D

THE INFORMATION CONTAINED IN THIS DOCUMENT IS PROPRIETARY TO E-SWITCH AND IS NOT TO BE COPIED OR TRANSFERRED